



MEAS | MEAS M5200

TE Internal #: M5244-000002-070BG

TE Internal Description: PRESS XDCCR M5244-000002-070BG

Compact Industrial Pressure Transducer

[View on TE.com >](#)

Sensors > Pressure Sensors > Pressure Transducers > Compact Industrial Pressure Transducer



Pressure Transducer Sensor Type: **Industrial Pressure Transducer**

Pressure Range: **0 – 70 bar**

Pressure Type: **Gauge**

Pressure Transducer Supply Voltage: **8 – 30 V**

Output/Span: **1 – 5 V**

[All Compact Industrial Pressure Transducer \(12\)](#)

Features

Product Type Features

Pressure Transducer Sensor Type	Industrial Pressure Transducer
Pressure Type	Gauge

Configuration Features

Electrical Connection	Packard
Pressure Port/Fitting	1/4 MBSPP

Electrical Characteristics

Pressure Transducer Supply Voltage	8 – 30 V
------------------------------------	----------

Dimensions

Dimensions	24 x 24 x 82 mm [.94 x .94 x 3.23 in]
------------	---------------------------------------

Usage Conditions

Pressure	70 bar [1015.24 psi]
Operating Temperature Range	-40 – 125 °C [-40 – 257 °F]

Operation/Application

Proof Pressure Range	2X Rated
Pressure Range	0 – 70 bar
Output/Span	1 – 5 V

Pressure Accuracy

±0.25% FSO

Other

Sensor Options

Adhesive Label, No Snubber

Product Compliance

For compliance documentation, visit the product page on [TE.com](#)>

EU RoHS Directive 2011/65/EU

Compliant with Exemptions

EU ELV Directive 2000/53/EC

Out of Scope

China RoHS 2 Directive MIIT Order No 32, 2016

Restricted Materials Above Threshold

EU REACH Regulation (EC) No. 1907/2006

Current ECHA Candidate List: JUNE 2023 (235)
 Candidate List Declared Against: JUN 2020 (209)
 SVHC > Threshold:
 Dodecamethylcyclohexasiloxane (D6) (.85% in 736 RED GLUE)

Article Safe Usage Statements:
 Wash thoroughly after handling. Recycle if possible and dispose of the article by following all applicable governmental regulations relevant to your geographic location.

Halogen Content

Not Yet Reviewed for halogen content

Solder Process Capability

Not reviewed for solder process capability

Product Compliance Disclaimer

This information is provided based on reasonable inquiry of our suppliers and represents our current actual knowledge based on the information they provided. This information is subject to change. The part numbers that TE has identified as EU RoHS compliant have a maximum concentration of 0.1% by weight in homogenous materials for lead, hexavalent chromium, mercury, PBB, PBDE, DBP, BBP, DEHP, DIBP, and 0.01% for cadmium, or qualify for an exemption to these limits as defined in the Annexes of Directive 2011/65/EU (RoHS2). Finished electrical and electronic equipment products will be CE marked as required by Directive 2011/65/EU. Components may not be CE marked. Additionally, the part numbers that TE has identified as EU ELV compliant have a maximum concentration of 0.1% by weight in homogenous materials for lead, hexavalent chromium, and mercury, and 0.01% for cadmium, or qualify for an exemption to these limits as defined in the Annexes of Directive 2000/53/EC (ELV). Regarding the REACH Regulation, the information TE provides on SVHC in articles for this part number is based on the latest European Chemicals Agency (ECHA) 'Guidance on requirements for substances in articles' posted at this URL: <https://echa.europa.eu/guidance-documents/guidance-on-reach>

Compatible Parts



Also in the Series | MEAS M5200

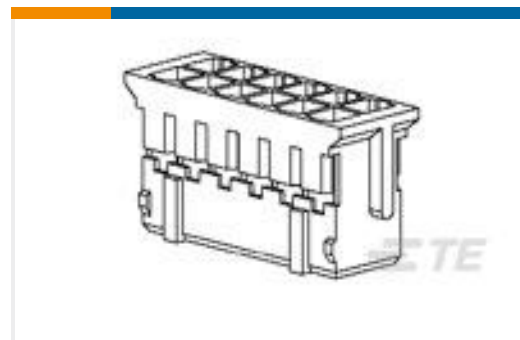


Pressure Transducers(12)

Customers Also Bought



TE Part #1-1470108-0
2.0MM PITCH HEADER,DIP 10P



TE Part #1-1470107-0
2.0MM PITCH CRIMP HOUSING 10P

Documents

CAD Files

3D PDF

3D

Customer View Model

[ENG_CVM_CVM_M5244-000002-070BG_K.2d_dxf.zip](#)

English

Customer View Model

[ENG_CVM_CVM_M5244-000002-070BG_K.3d_igs.zip](#)

English

Customer View Model

[ENG_CVM_CVM_M5244-000002-070BG_K.3d_stp.zip](#)

English

By downloading the CAD file I accept and agree to the [Terms and Conditions](#) of use.

Datasheets & Catalog Pages

M5200

English