

REVISION RECORD				
REV	ECN	DESCRIPTION	DRFT	DATE
A		NEW	C.W	2023.05.25

NOTES1:

UL Standard

- 1.Rated voltage/current : 300V / 35A
- 2.Withstanding voltage : AC1600V/1Min.
- 3.Torque value : M3 , 4.5Lb.in
- 4.Wire range : 30~10AWG

IEC Standard

1. Pollution degree	2	2	3
Overvoltage category	II	III	III
Rate impulse voltage(KV)	6KV	6KV	6KV
Rate voltage(V)	1000V	630V	400V
Rate current(A)	20A		

- 2.Torque value : M3 , 0.5N·m
- 3.Wire range : 0.2~4mm<sup>2</sup>

NOTES2:

- 1.Dimension shall be interpreted per ASME Y14.5-2009
- 2.Pitch : 7.62mm, Poles : N=02~12P
- 3.Stripping length : 7~8mm
- 4.Operating temperature: -40°C~+105°C
- 5.Undimensioned tolerances:

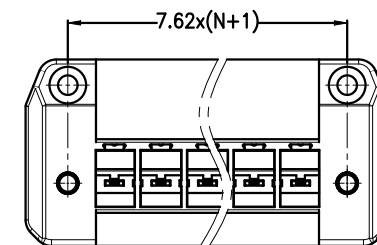
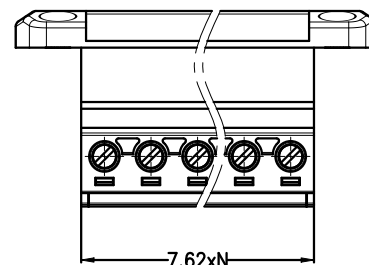
Pitch range in mm		Nominal dimension range in mm							
TO	Over	TO	Over	TO	Over	TO	Over	0.1/10	
6	10	10	24	30	60	100	150		∠
±0.15	±0.20	±0.30	±0.30	±0.50	±0.70	±1.00	±1.30	±2'	

6.RoHS Compliance

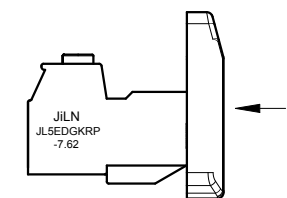
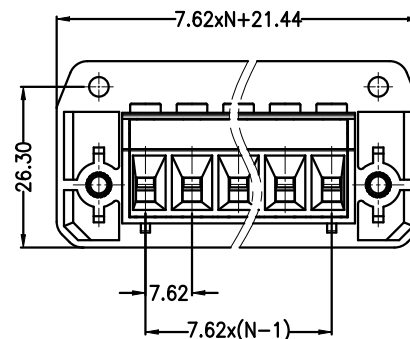
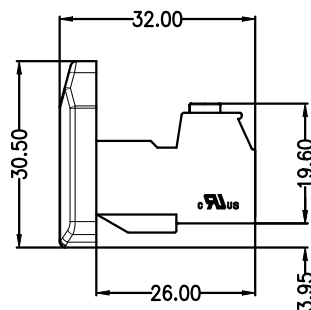
Ordering Information

JL5EDGKRP - 762 XX X XX

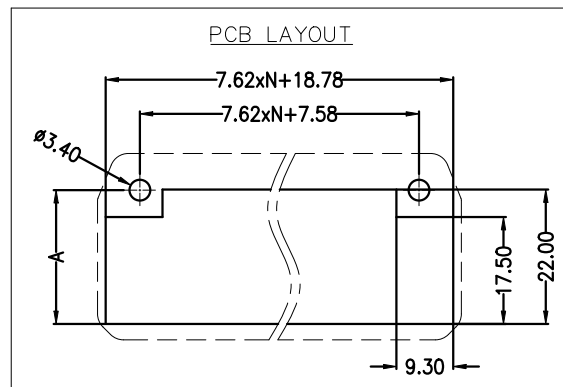
Pitch 762=7.62PH  
 No.of pins 2~12  
 Housing Color  
 B=Black  
 C=Green  
 U=Blue  
 R=Red  
 W=White  
 Y=Yellow  
 O=Orange  
 E=Grey  
 Serial code



View B



PCB LAYOUT



A	21.4	21.9	22.5	23.1	23.7
W(Wall thickness)	1	2	3	4	5

DRAW	SCALE	FIT	东莞市锦凌电子有限公司 DONGGUAN JINLING ELECTRONIC CO.,LTD		
	UNIT	mm			
CHECK	SIZE	A4	PART NO.	JL5EDGKRP-762XXXXX	
	SHEET	1/1	TITLE:	JL5EDGKRP-7.62-XXP插拔式母座/带耳	
APPROVE	PROJ.				