

HSF RoHS

SPECIFICATIONS

Rated(额定参数): 300V,8A
 Dielectric strength(抗电强度): AC1500V/1 Minute
 Insulation Resistance(绝缘电阻):1000MΩ Min
 Contact Resistance(接触电阻):20mΩ Max
 Screw Torque(扭矩): 0.2Nm (1.7Lb.in)
 Wire Range(线径):16~28AWG
 Strip length(剥线长度):6~7mm
 Temp. range(操作温度): -40℃~+105℃
 MAX Soldering(瞬时温度):+260℃,5s

IEC Standard

| | | | |
|--------------------------|-------|-------|-------|
| Pollution degree | 2 | 2 | 3 |
| Overvoltage category | II | III | III |
| Rate impulse voltage(KV) | 2.5KV | 2.5KV | 2.5KV |
| Rate voltage(V) | 320V | 250V | 160V |
| Rate current(A) | 8A | | |

Housing Material(塑件): PA66 (UL94 V-0)
 Contact(端子): Phosphor Bronze, Tin plating(磷铜镀镍)
 Clamp(方块): Brass(黄铜), Ni plating(镀镍)
 Screw (螺丝): M2.0 Steel, Zinc plating(钢,镀锌)

| PITCH RANGE IN MM | | | NOMINAL DIMENSION RANGE IN MM | | | | |
|----------------------|-------|-------|----------------------------------|-------|-------|-------|-------|
| TO | OVER | OVER | TO | OVER | OVER | OVER | OVER |
| 6 | 6 | 10 | 30 | 30 | 60 | 100 | 150 |
| ±0.10 | ±0.15 | ±0.25 | ±0.30 | ±0.30 | ±0.50 | ±0.70 | ±1.00 |

Ordering Information

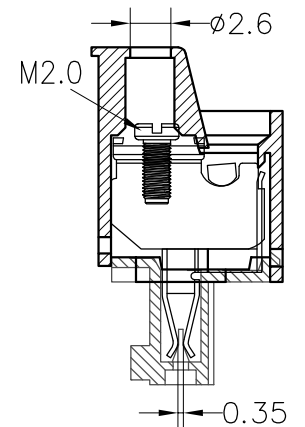
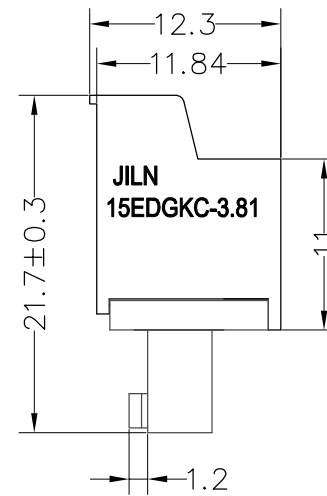
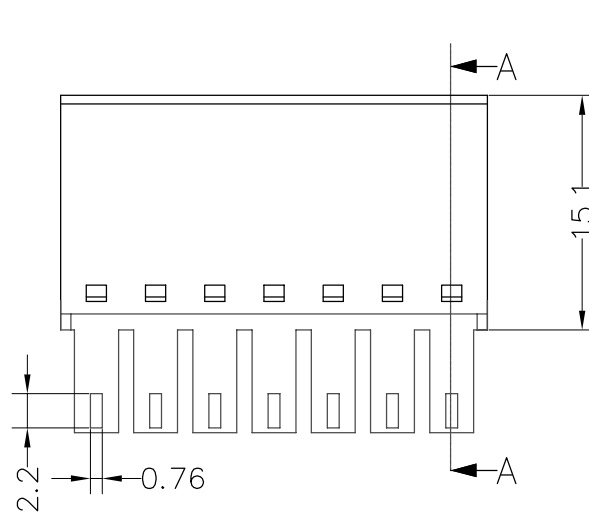
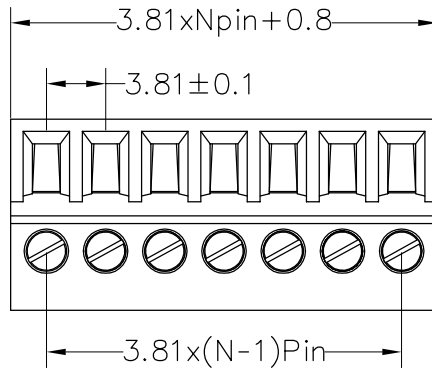
JL15EDGKC - 381 XX G 0 1

Pitch
381=3.81PH

No.of pins
2P,3P,4P~24P

Housing Color
 B=Black
 G=Green
 U=Blue
 R=Red
 W=White
 Y=Yellow
 O=Orange
 E=Grey

Packing
 0=Pe bag
 T=Tube
 A=Tray



SECTION A—A

| | | | | | | | |
|---------|------------------|-------|-----|--|--|----------|---------------------------------|
| DRAW | SHUANGPING ZHENG | SCALE | FIT | 东莞市锦凌电子有限公司 DONGGUAN JINLING ELECTRONIC CO.,LTD | | | |
| | | UNIT | mm | | | | |
| CHECK | LICHAO LIU | SIZE | A4 | | | PART NO. | JL15EDGKC-381XXG01 |
| APPROVE | YONGLIANG GAO | SHEET | 1/1 | | | TITLE: | JL15EDGKC-3.81-XXP插拔式母座/PA66/绿色 |
| | | PROJ. | | | | | |