

HSF RoHS **us** **CE**

REVISION RECORD				
REV	ECN	DESCRIPTION	DRFT	DATE
B		更新深圳旧图纸	Z.S.P	22.7.12

NOTES1:
 UL Standard
 1. Rated voltage/current : 300V / 15A
 2. Withstanding voltage : AC2000V/1Min.
 3. Torque value : M2.5 , 3.5Lb.in
 4. Wire range : 28~12AWG

IEC Standard

1. Pollution degree	2
Overvoltage category	III
Rate impulse voltage(KV)	4KV
Rate voltage(V)	320V
Rate current(A)	20A

2. Torque value : M2.5 , 0.5N·m
 3. Wire range : 0.2~2.5mm²

NOTES2:
 1. Dimension shall be interpreted per ASME Y14.5-2009
 2. Pitch : 5.08mm, Poles : N=02~22P
 3. Stripping length : 7~8mm
 4. Operating temperature: -40°C~+105°C
 5. Undimensioned tolerances:

Pitch range in mm		Nominal dimension range in mm							
TO	Over	TO	Over	TO	Over	TO	Over	0.1/10	
6	10	10	24	30	60	100	150		
±0.15	±0.20	±0.30	±0.30	±0.50	±0.70	±1.00	±1.30	±2'	

6. RoHS Compliance

Ordering Information

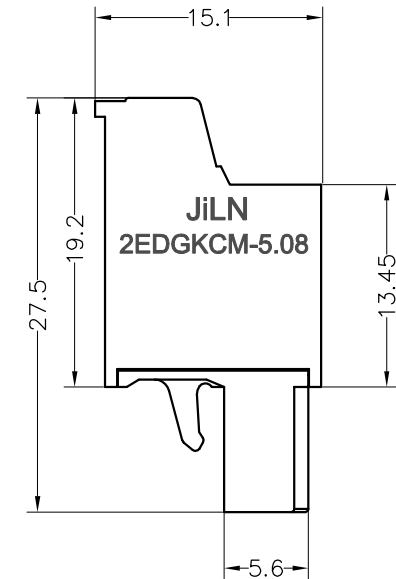
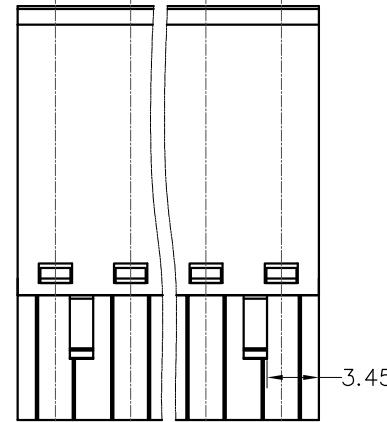
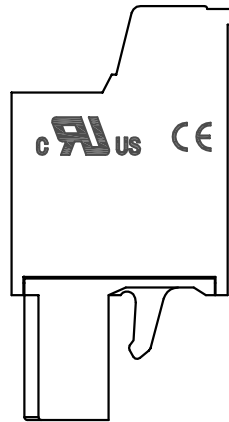
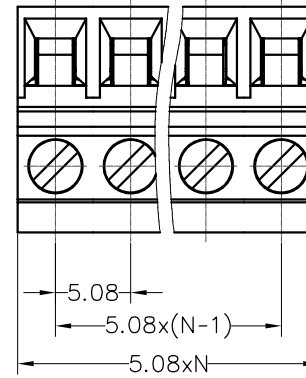
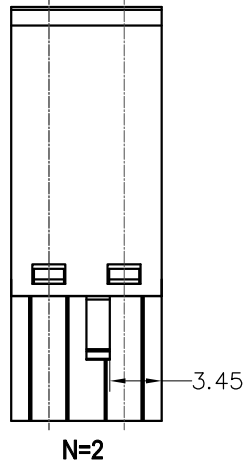
JL 2EDGKC - 508 XX G 0 1

Pitch
508=5.08PH

No. of pins
2P~24P

Housing Color
 B=Black
 G=Green
 U=Blue
 R=Red
 W=White
 Y=Yellow
 O=Orange
 E=Grey

Packing
 0=Pe bag
 A=Tray
 T=Tube



ITEM	NAME OF PART	MATERIAL	NOTES
5	Screw	Steel	M2.5/Zn Plated
4	Cage	Steel	M2.5/Zn Plated
3	Block	Steel	Zn Plated
2	Clamp	Copper alloy	Sn Plated
1	Housing	PA66	UL94V-0

DRAW	SHUANGPING ZHENG	SCALE	FIT
		UNIT	mm
CHECK	LICHAO LIU	SIZE	A4
		SHEET	1/1
APPROVE	YONGLIANG GAO	PROJ.	◆ □

PART NO.		JL2EDGKC-508XXG01	
		TITLE: JL2EDGKC-5.08-XXP插拔式母座/绿色	

JILN 东莞市锦凌电子有限公司
 DONGGUAN JINLING ELECTRONIC CO., LTD