

REVISION RECORD				
REV	ECN	DESCRIPTION	DRFT	DATE
A0		NEW		20.12.02

**NOTES1:**

UL Standard

- 1.Rated voltage/current : 300V / 30A
- 2.Withstanding voltage : AC1600V/1Min.
- 3.Torque value : M3 , 4.43Lb.in
- 4.Wire range : 30~10AWG

**IEC Standard**

1. Pollution degree	2
Overvoltage category	III
Rate impulse voltage(KV)	4KV
Rate voltage(V)	400V
Rate current(A)	32A

- 2.Torque value : M3 , 0.5N·m
- 3.Wire range : 0.2~4.0mm<sup>2</sup>

**NOTES2:**

- 1.Dimension shall be interpreted per ASME Y14.5-2009
- 2.Pitch : 7.62mm, Poles : N=02~12P
- 3.Stripping length : 8~9mm
- 4.Operating temperature: -40°C~+105°C
- 5.Undimensioned tolerances:

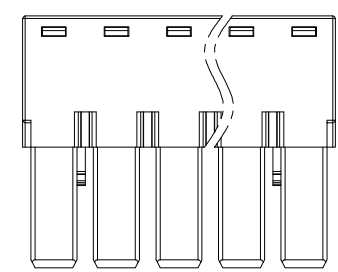
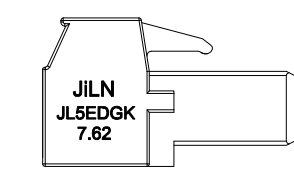
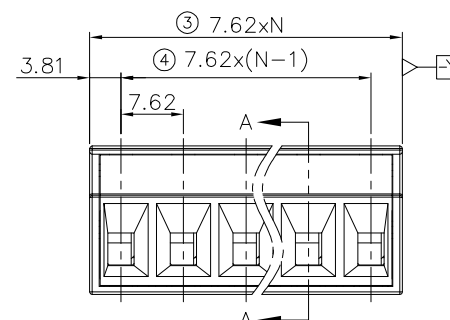
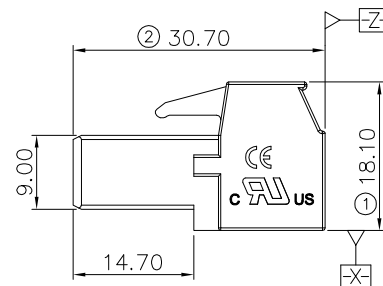
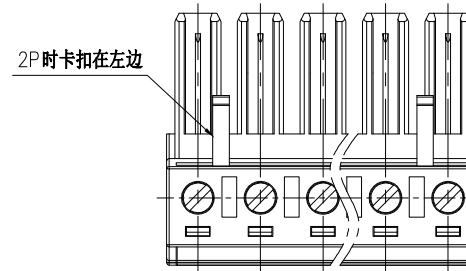
Pitch range in mm			Nominal dimension range in mm					-	∩	∠
TO	Over	Over	TO	Over	Over	Over	TO	0.1/10		
6	6	10	30	30	60	100	150			
±0.15	±0.20	±0.30	±0.30	±0.50	±0.70	±1.00	±1.30		±2*	

6.RoHS Compliance

**Ordering Information**

**JL5EDGK-762 XX G 0 1**

- Pitch  
760=7.62PH
- No.of pins  
2P,3P,4P~12P
- Housing Color  
B=Black  
G=Green  
U=Blue  
R=Red  
W=White  
Y=Yellow  
D=Drange  
E=Grey
- Packing  
0=Pe bag  
T=Tube  
A=Tray



6	Screw	Steel	M3/Zn Plated			SCALE	FIT
5	Cage	Copper alloy	M3/Ni Plated	DRAW	SHUANGPING ZHENG	UNIT	mm
4	Spring	Stainless Steel				SIZE	A4
3	Clamp	Copper alloy	Sn Plated	CHECK	LICHAD LIU	SHEET	1/1
2	Cover	PA66	UL94V-0			PROJ.	
1	Housing	PA66	UL94V-0	APPROVE	YONGLIANG GAO	TITLE:	
ITEM	NAME OF PART	MATERIAL	NOTES				

**JILN**® 东莞市锦凌电子有限公司  
DONGGUAN JINLING ELECTRONIC CO.,LTD

PART NO.	JL5EDGK-762XXG01
TITLE:	JL5EDGK-7.62-XXP 插拔式母座/绿色