

HSF RoHS **us** **CE**

REVISION RECORD				
REV	ECN	DESCRIPTION	DRFT	DATE
B		更新深圳旧图纸	Z.S.P	22.7.12

NOTES1:

UL Standard

- 1.Rated voltage/current : 300V / 15A
- 2.Withstanding voltage : AC2000V/1Min.
- 3.Torque value : M2.5 , 3.5Lb.in
- 4.Wire range : 28~12AWG

IEC Standard

1. Pollution degree	2
Overvoltage category	III
Rate impulse voltage(KV)	4KV
Rate voltage(V)	320V
Rate current(A)	20A

- 2.Torque value : M2.5 , 0.5N·m
- 3.Wire range : 0.2~2.5mm²

NOTES2:

- 1.Dimension shall be interpreted per ASME Y14.5-2009
- 2.Pitch : 5.08mm, Poles : N=02~22P
- 3.Stripping length : 7~8mm
- 4.Operating temperature: -40°C~+105°C
- 5.Undimensioned tolerances:

Pitch range in mm		Nominal dimension range in mm							
TO	Over	TO	Over	TO	Over	TO	Over	0.1/10	
6	10	10	24	30	60	100	150		<
±0.15	±0.20	±0.30	±0.30	±0.50	±0.70	±1.00	±1.30	±2'	

6.RoHS Compliance

Ordering Information

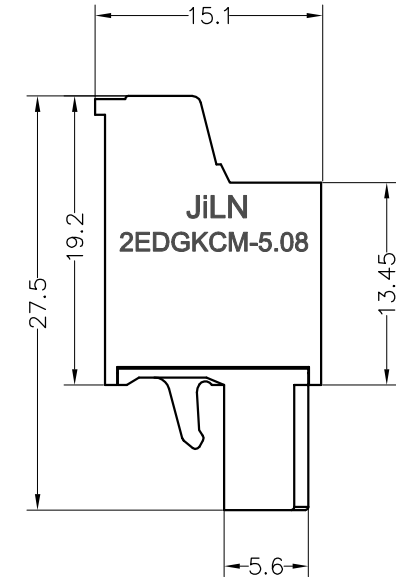
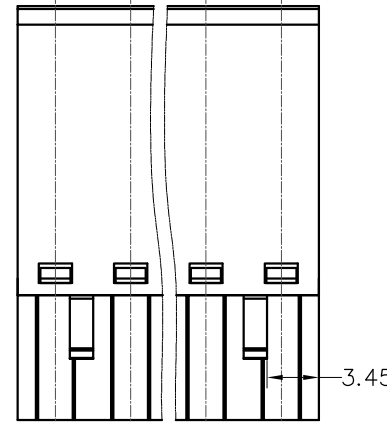
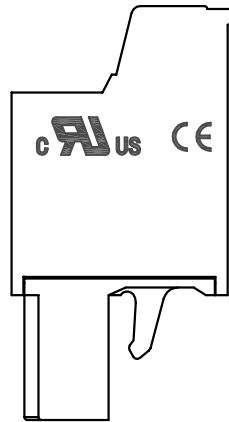
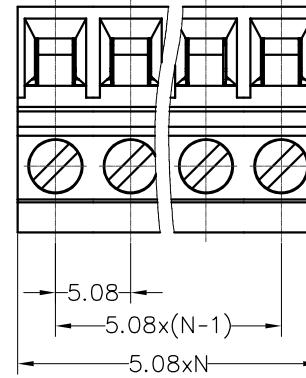
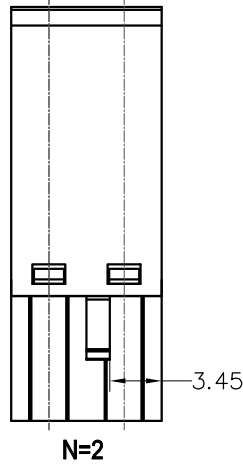
JL 2EDGKC - 508 XX G 0 1

Pitch
508=5.08PH

No.of pins
2P~24P

Housing Color
B=Black
G=Green
U=Blue
R=Red
W=White
Y=Yellow
O=Orange
E=Grey

Packing
0=Pe bag
A=Tray
T=Tube



ITEM	NAME OF PART	MATERIAL	NOTES
5	Screw	Steel	M2.5/Zn Plated
4	Cage	Steel	M2.5/Zn Plated
3	Block	Steel	Zn Plated
2	Clamp	Copper alloy	Sn Plated
1	Housing	PA66	UL94V-0

DRAW	SHUANGPING ZHENG	SCALE	FIT
		UNIT	mm
CHECK	LICHAO LIU	SIZE	A4
		SHEET	1/1
APPROVE	YONGLIANG GAO	PROJ.	◆ □

东莞市锦凌电子有限公司 DONGGUAN JINLING ELECTRONIC CO.,LTD		PART NO.	JL2EDGKC-508XXG01
		TITLE:	JL2EDGKC-5.08-XXP插拔式母座/绿色