

Single Phase Full-Wave Motor Driver for Fan Motor AM7228

This is the summary of application for AM7228 optimum for driving 12V fan for general consumer equipment. The most attractive function of AM7228 is slope adjust by external resistor, that can meet most of fan request. This IC employs soft switching drive, Bi-CMOS process, and realizes silent drive, low ON resistor, and low power consumption. This also incorporate lock protection and auto restart circuit which does not require external capacitor.

● **Applications**

Optimum for driving 12V fan for general consumer equipment

● **Features**

- | | |
|---|---|
| 1) Slope adjust mode for VH and VL pin control. | 6) Power Tr incorporated. |
| 2) Soft switched drive. | 7) Hall Bias voltage built-in. |
| 3) PWM speed control. | 8) Soft start function built-in for reducing power up acoustic noise. |
| 4) Rotating speed pulse signal (FG) output. | |
| 5) Incorporating lock protection and automatic restart circuit. | |

● **Absolute Maximum Ratings (Ta = 25°C)**

| Parameter | Symbol | Limits | Unit |
|------------------------------------|------------|------------|------|
| Supply voltage | V_{CC} | 18 | V |
| Output current | I_{omax} | 1200 | mA |
| FG single output current | I_{FG} | 10 | mA |
| FG single output voltage | V_{FG} | 18 | V |
| Vref output current | I_{ref} | 10 | mA |
| HB output current | I_{HB} | 10 | mA |
| High duty slope setting voltage | VH | 6 | V |
| Low duty slope setting voltage | VL | 6 | V |
| Minimum Speed setting voltage | VRMI | 6 | V |
| Power dissipation (JEDEC 2S2P PCB) | P_d | 3030* | mW |
| Operate temperature range | T_{opr} | -40 ~ +105 | °C |
| Storage temperature range | T_{stg} | -55 ~ +150 | °C |
| Junction temperature | T_{jmax} | 150 | °C |

* P_d de-rated by 24.2mW/°C over 25°C (based on JEDEC 2S2P board)

Those are stress rating only and functional operating at those conditions for extended periods may damage to the device.

● **Recommended operating conditions**

(Set the power supply voltage taking allowable dissipation into considering)

| Parameter | Symbol | Min | Typ | Max | Unit |
|---------------------------------------|------------------|--------------------|-----|-----|------|
| Operating supply voltage range | V _{CC} | 2.5~16 | | | V |
| Hall input voltage range | V _{HB} | 0.2~2.1 | | | V |
| High duty slope setting voltage range | V _H | 0~V _{ref} | | | V |
| Low duty slope setting voltage range | V _L | 0~V _{ref} | | | V |
| Minimum Speed setting voltage range | V _{RMI} | 0~V _{ref} | | | V |

● **Electrical Characteristics**

(Unless otherwise specified, T_a = 25°C, V_{CC} = 12V)

| Parameter | Symbol | Limit | | | Unit | Conditions |
|--------------------------|-------------------|-------|------|------------------|------|---------------------------------------|
| | | Min | Typ | Max | | |
| Supply current 1 | I _{CC1} | 1 | 3 | 6 | mA | PWM=GND |
| Supply current 2 | I _{CC2} | 2 | 5 | 8 | mA | PWM=OPEN |
| Reference Voltage | V _{REF} | 4.5 | 5 | 5.5 | V | I _{vref} =5mA |
| Hall input | | | | | | |
| Input offset voltage | V _{HOFS} | — | — | ±6 | mV | |
| PWM input | | | | | | |
| Input H level | V _{PWMH} | 2.5 | — | V _{ref} | V | |
| Input L level | V _{PWML} | -0.3 | — | 0.8 | V | |
| Input frequency | F _{PWM} | 5 | — | 100 | kHz | |
| Output | | | | | | |
| Output voltage | V _O | — | 0.4 | 0.6 | V | I ₀ =200mA (Upper + Lower) |
| Input-output Gain | G _{IO} | 51 | 54 | 57 | dB | |
| FG low voltage | V _{FGL} | — | 0.3 | 0.4 | V | I _{FG} = 5mA |
| FG leakage current | I _{FGL} | — | — | 20.0 | μA | V _{FG} = 15V |
| Input hysteresis voltage | V _{HYS} | ±10 | ±17 | ±25 | mV | |
| Hall bias voltage | V _{HB} | 1.0 | 1.15 | 1.3 | V | I _{HB} =-5mA |
| Lock protection | | | | | | |
| Lock detection ON time | T _{ON} | 0.35 | 0.50 | 0.65 | Sec | |
| Lock detection OFF time | T _{OFF} | 3.5 | 5.0 | 6.5 | Sec | |

● Block Diagram

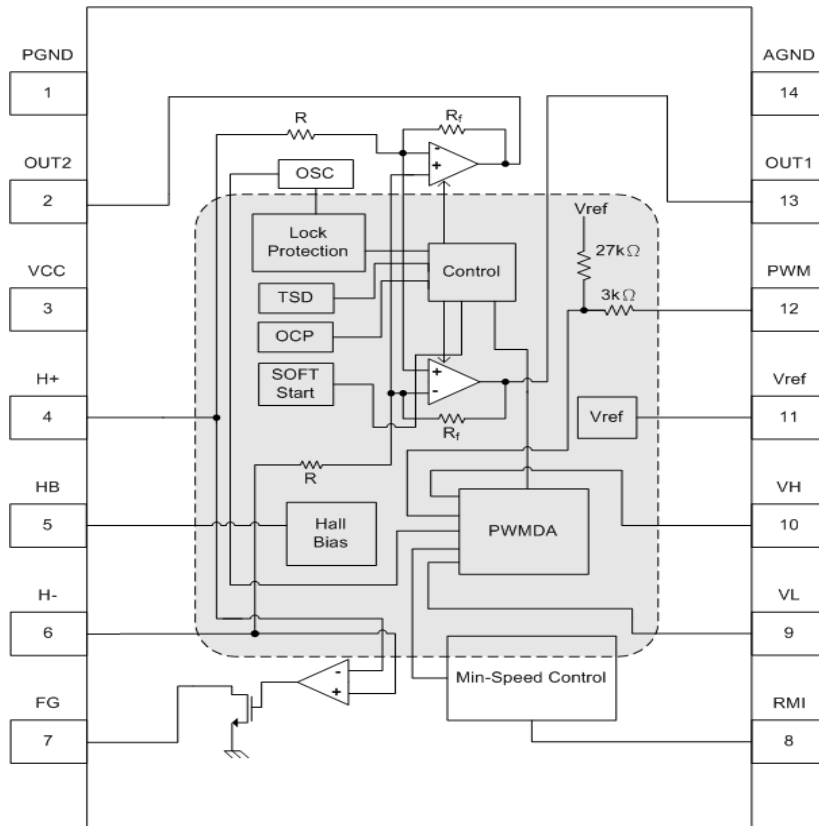


Fig.1 Block diagram

● Pin Description

| PIN No | Pin Name | Function | PIN No | Pin Name | Function |
|--------|----------|---------------------------|--------|----------|-----------------------------------|
| 1 | PGND | Power ground terminal | 8 | RMI | Minimum Speed setting terminal |
| 2 | OUT2 | Motor output terminal | 9 | VL | Hi duty slope setting terminal |
| 3 | VCC | Power supply terminal | 10 | VH | Low duty slope setting terminal |
| 4 | H+ | Hall input terminal | 11 | VREF | Reference voltage output terminal |
| 5 | HB | Hall Bias terminal | 12 | PWM | PWM signal input terminal |
| 6 | H- | Hall input terminal | 13 | OUT1 | Motor output terminal |
| 7 | FG | FG signal output terminal | 14 | AGND | Analog ground terminal |

● Truth Table

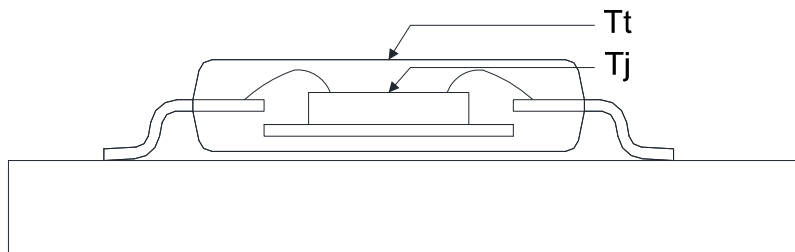
| H+ | H- | PWM | OUT1 | OUT2 | FG | Mode |
|----|----|-----|------|------|---------------------|----------------|
| H | L | H | H | L | L (Output Tr : ON) | Operation mode |
| L | H | | L | H | Z (Output Tr : OFF) | |
| H | L | L | L | L | L (Output Tr : ON) | |
| L | H | | L | L | Z (Output Tr : OFF) | |
| H | L | - | L | L | L (Output Tr : ON) | Lock mode |
| L | H | | L | L | Z (Output Tr : OFF) | |

Z : Open drain output (High impedance)

● **Thermal Information**

| | | |
|------------|--|-----------|
| Θja | junction-to-ambient thermal resistance | 41.25°C/W |
| Ψjt | junction-to-top characterization parameter | 1.34°C/W |

- **Θja** is obtained in a simulation on a JEDEC-standard 2s2p board as specified in JESD-51.
- The **Θja** number listed above gives an estimate of how much temperature rise is expected if the device was mounted on a standard JEDEC board.
- When mounted on the actual PCB, the **Θja** value of JEDEC board is totally different than the **Θja** value of actual PCB.
- **Ψjt** is extracted from the simulation data to obtain **Θja** using a procedure described in JESD-51, which estimates the junction temperature of a device in an actual PCB.
- The thermal characterization parameter, **Ψjt**, is proportional to the temperature difference between the top of the package and the junction temperature. Hence, it is useful value for an engineer verifying device temperature in an actual PCB environment as described in JEDEC JESD-51-12.
- When Greek letters are not available, **Ψjt** is written Psi-jt.
- Definition:



DEFINITION:
$$\Psi_{jt} = (T_j - T_t) / P_d$$

Where :

- Ψjt** (Psi-jt) = Junction-to-Top(of the package) °C/W
- Tj**= Die Junction Temp. °C
- Tt**= Top of package Temp at center. °C
- Pd**= Power dissipation. Watts

- Practically, most of the device heat goes into the PCB, there is a very low heat flow through top of the package, So the temperature difference between **Tj** and **Tt** shall be small, that is any error caused by PCB variation is small.
- This constant represents that **Ψjt** is completely PCB independent and could be used to predict the **Tj** in the environment of the actual PCB if **Tt** is measured properly.

● **How to predict Tj in the environment of the actual PCB**

Step 1 : Used the simulated Ψ_{jt} value listed above.

Step 2 : Measure **Tt** value by using

➤ **Thermocouple Method**

We recommend use of a small ~40 gauge(3.15mil diameter) thermocouple. The bead and thermocouples wires should touch the top of the package and be covered with a minimal amount of thermally conductive epoxy. The wires should be heat-insulated to prevent cooling of the bead due to heat loss into wires. This is important towards preventing “too cool” **Tt** measurements, which would lead to the calculated **Tj** also being too cool.

➤ **IR Spot Method**

An IR Spot method should be utilized only when using a tool with a small enough spot area to acquire the true top center “hot spot”.

Many so-called “small spot size” tools still have a measurement area of 0~100+mils at “zero” distance of the tool from the surface. This spot area is too big for many smaller packages and likely would result in cooler readings than the small thermocouple method. Consequently, to match between spot area and package surface size is important while measuring **Tt** with IR sport method.

Step 3 : calculating power dissipation by

$$P \cong (VCC - |Vo_{Hi} - Vo_{Lo}|) \times I_{out} + VCC \times I_{cc}$$

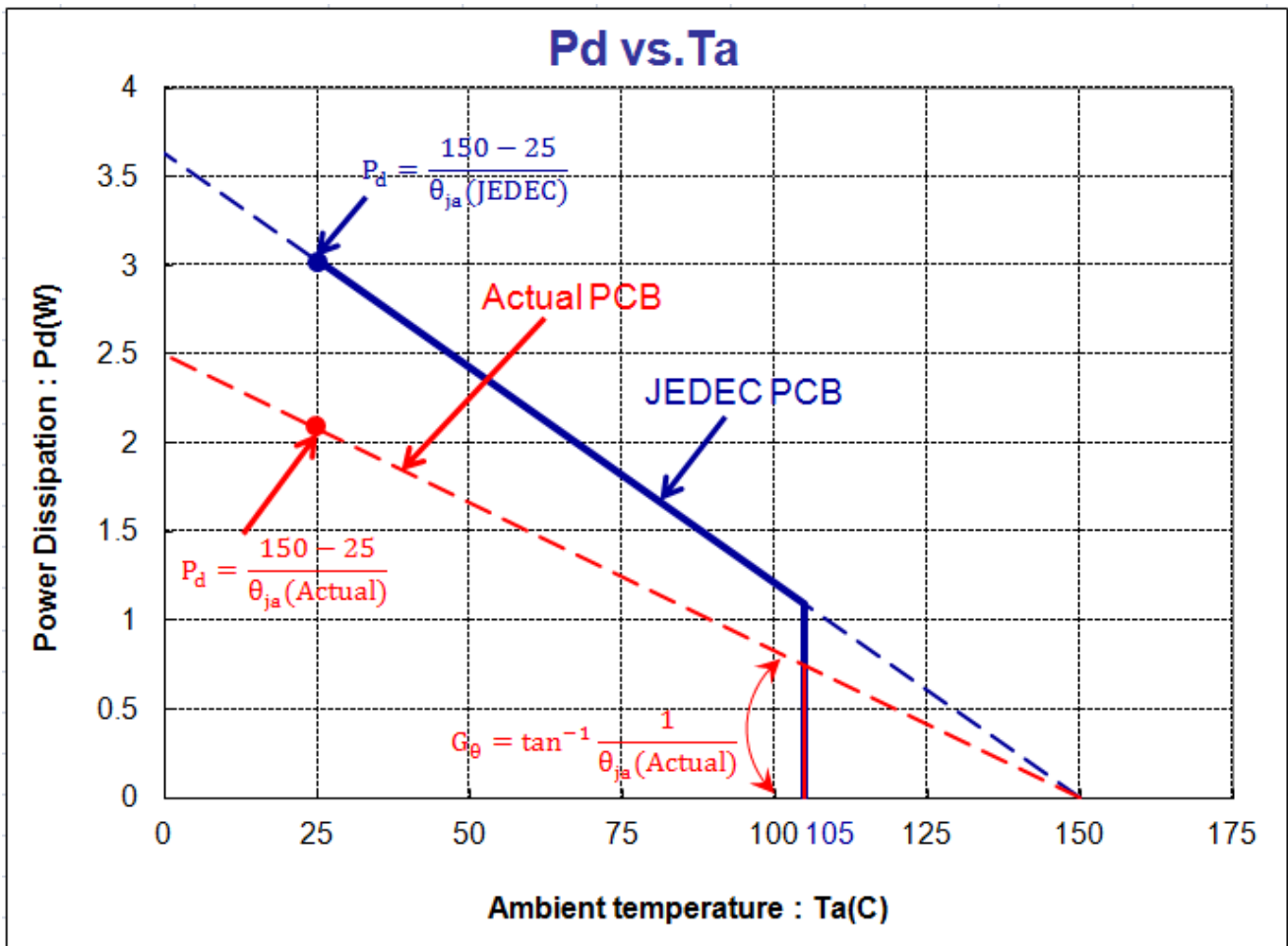
Step 4 : Estimate **Tj** value by

$$Tj = \Psi_{jt} \times P + Tt$$

Step 5: Calculated Θ_{ja} value of actual PCB by the known **Tj**

$$\Theta_{ja}(\text{actual}) = (Tj - Ta) / P$$

Maximum Power Dissipation (de-rating curve) under JEDEC PCB & actual PCB



● Application circuit

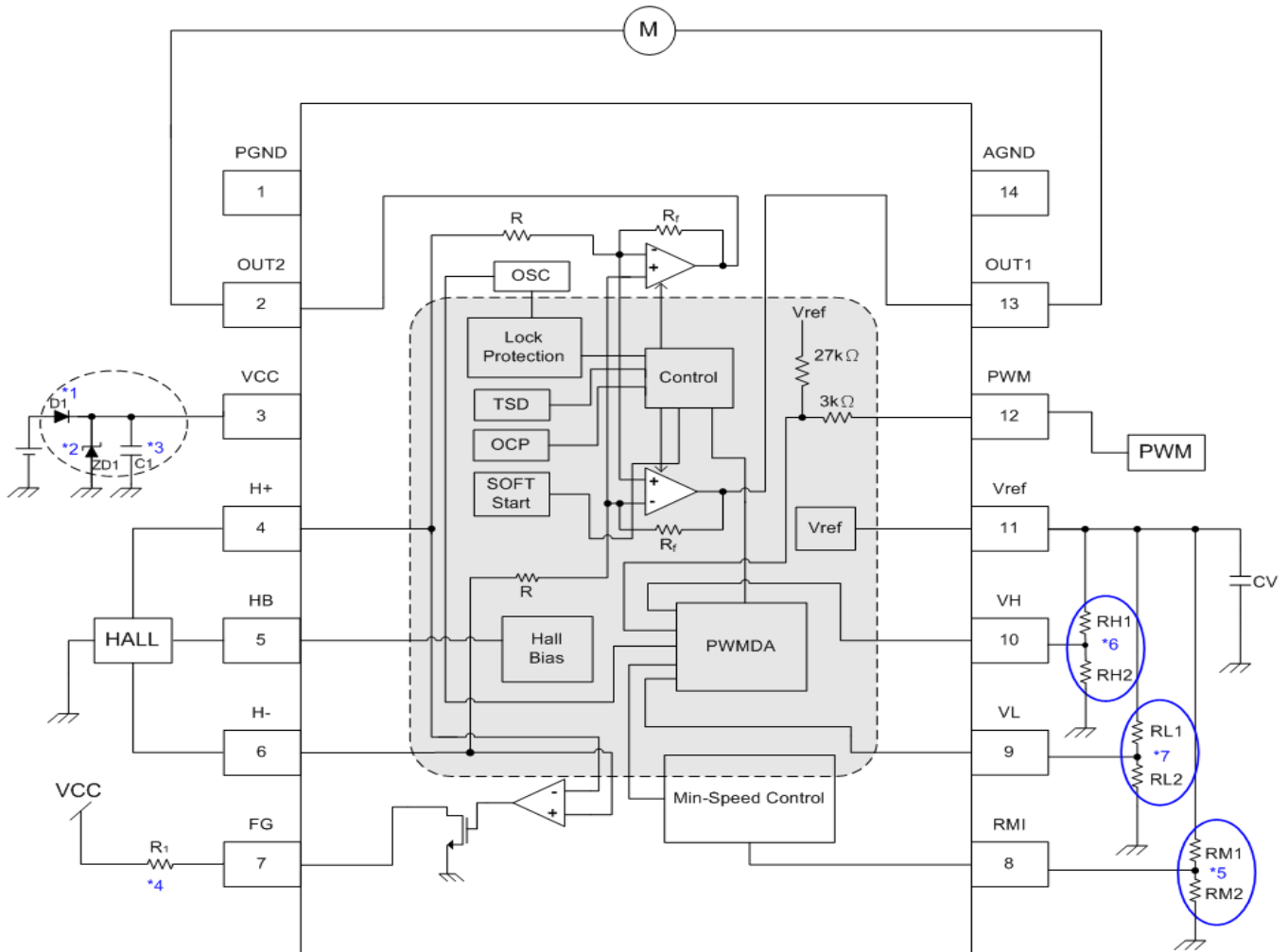


Fig.2 Application circuit

Notes:

1. Reverse connection of power supply may break the device. A countermeasure is needed such as using reverse current protection diode (D1) between power supply and V_{CC} terminal.
The BEMF causes re-circulate current to power supply, when power-on or output changes. It may cause V_{CC} terminal to raise voltage, especially using reverse current protection diode (D1) because there is no way to return current back to power supply. In such case, please take necessary measures like below.
2. Connect a Zener diode (ZD1) between V_{CC} and GND terminal not to exceed the absolute maximum rating voltage.
3. Connect a capacitor (C1) between V_{CC} and GND terminal to make a path of return current to power supply.
4. Open drain output. A pull-up resistances of 10k Ω should be inserted.

5. Minimum Speed Control:

When the IC using as minimum speed control. The minimum speed is setting by RMI pin, and minimum speed can be adjusted by RM1 and RM2 ratio. The relation is shown as the Fig. 3 below. When not need this feature, set the RMI pin connected to Vref, avoid noise interference..

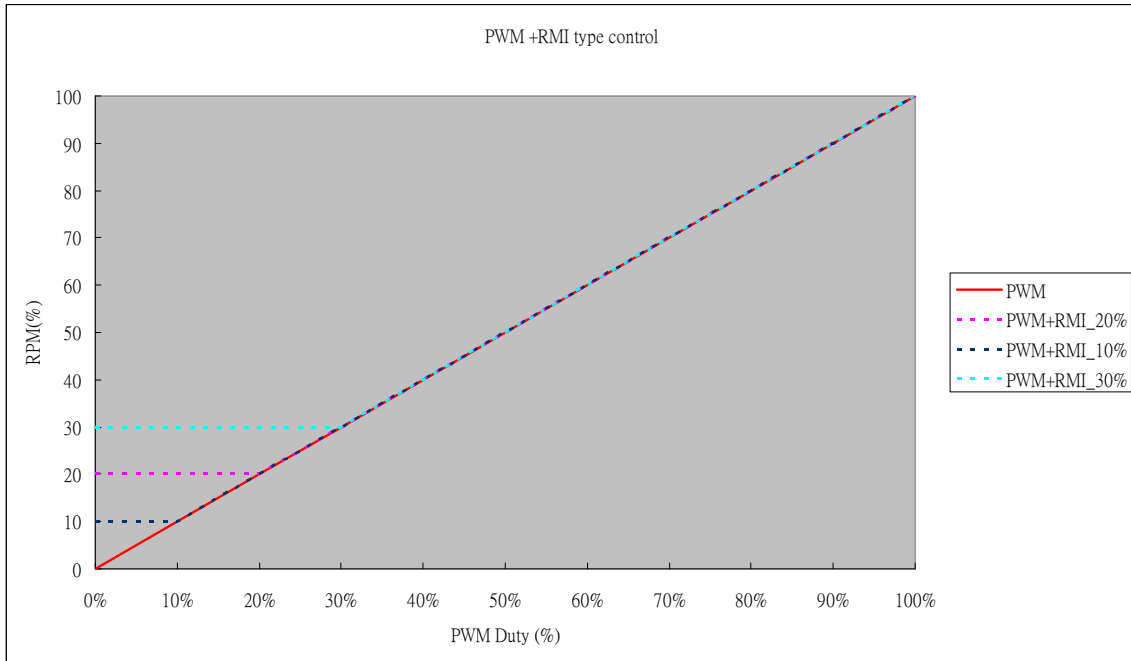


Fig.3

6. Slope Low duty control:

When the IC using as Slope low duty control. The low duty control is setting by VH pin, and low duty control can be adjusted by RH1 and RH2 ratio. Typical setting is 0.75VREF, The relation is shown as the Fig. 4 below.

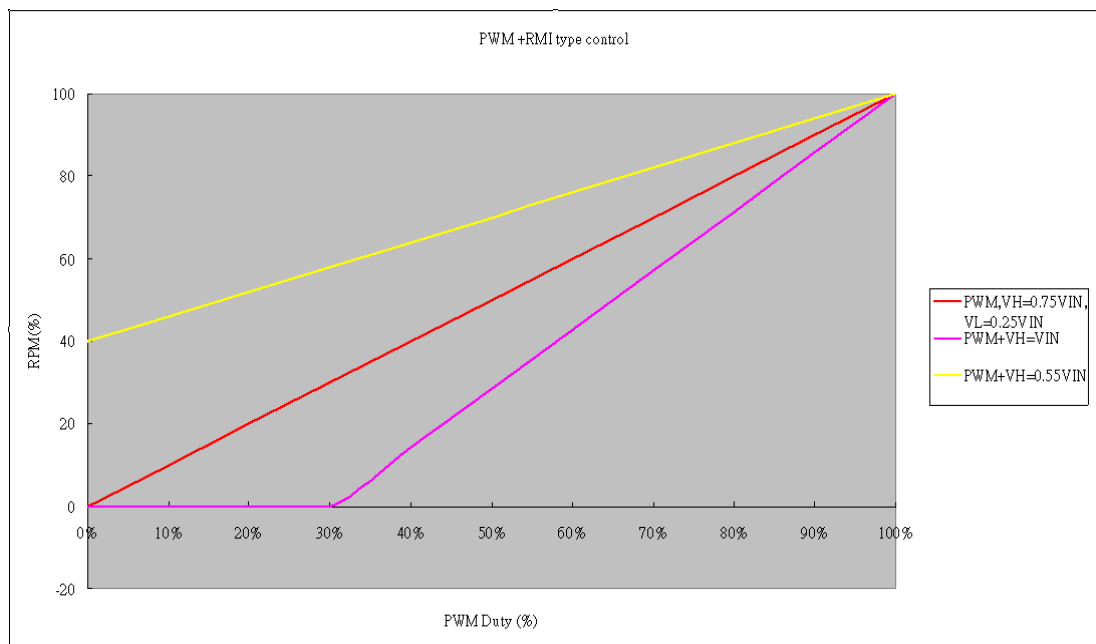


Fig.4

7. Slope Hi duty control:

When the IC using as Slope Hi duty control. The Hi duty control is setting by VL pin, and Hi duty control can be adjusted by RL1 and RL2 ratio. Typical setting is $0.25V_{REF}$. The relation is shown as the Fig. 5 below.

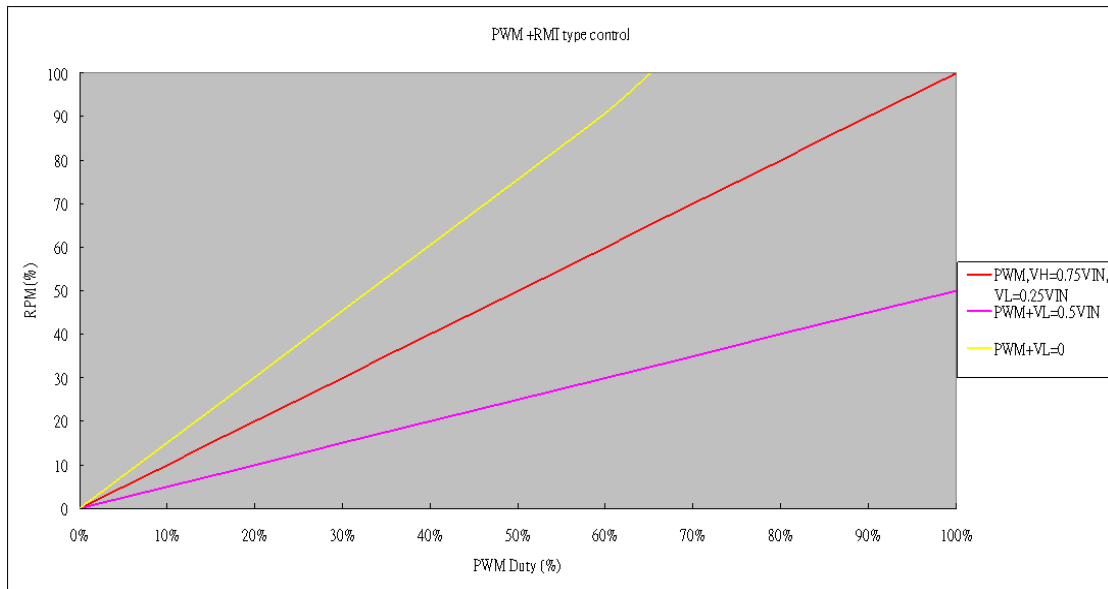


Fig.5

8. When PCB Layout, PGND & AGND (PIN 1 & Pin14) & E-PAD must be short-circuited to avoid noise.

● **Lock detection, automatic restart circuit**

This IC detect the rotation of the motor by hall signal, and adjust lock detection ON time (T_{on}) and lock detection OFF time (T_{off}) by the internal counter. These time (T_{on} , T_{off}) are showed below.

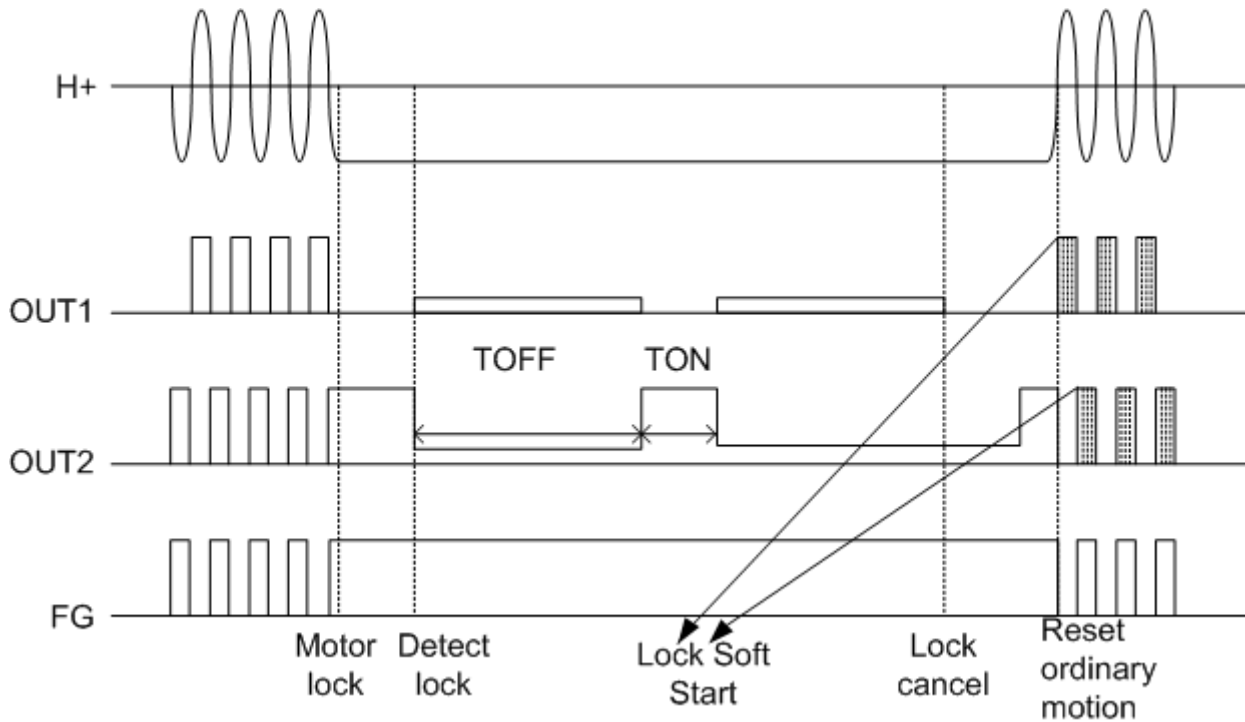


Fig.6 Lock detect and auto restart motion

Only in Lock detection ON Time (T_{on}), motor will be rest ordinary motion by switching over of hall signal. There is lock soft start function, When IC in reset ordinary motion, Output will shaping by 50% duty to start-up the motor, that will reduce lock start current and acoustic noise.

When RMI connect to V_{ref} , this IC make the lock protection function off, when the PWM input keeps low level for more than 70ms (typ.)

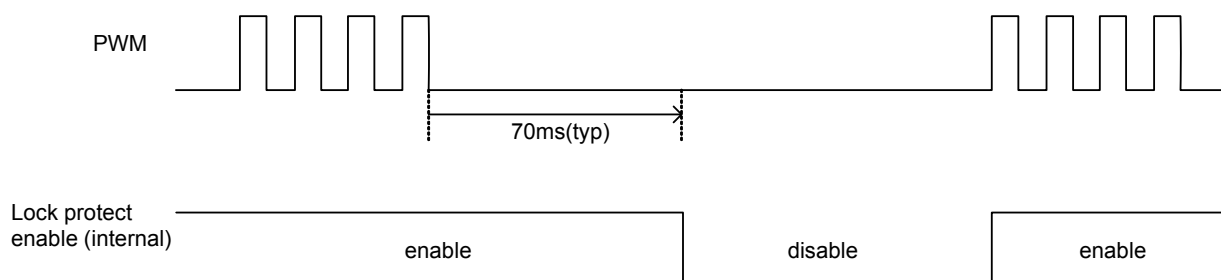


Fig.7 PWM input signal and lock protect function

Lock protect function does not work if PWM input frequency is slower than 15Hz (typ.)



So, please input faster frequency more than 20Hz

● **Soft switching function (silent drive setting)**

Input signal to hall amplifier is amplified to produce an output signal.

When the hall element output signal is small, the gradient of switching of output waveform is gentle; When it is large on the contrary, the gradient of switching of output waveform is steep. Gain of 500 times (Typ.) is provided between input and output, therefore enter an appropriate hall element output to IC where output waveform swings sufficiently.

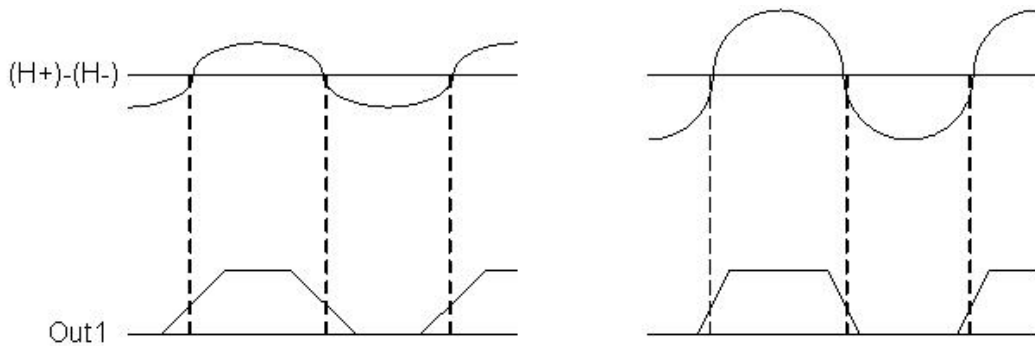


Fig.8 Relation between hall element output amplitude and output waveform

● **Hall input setting**

Hall input voltage range is shown in operating conditions.

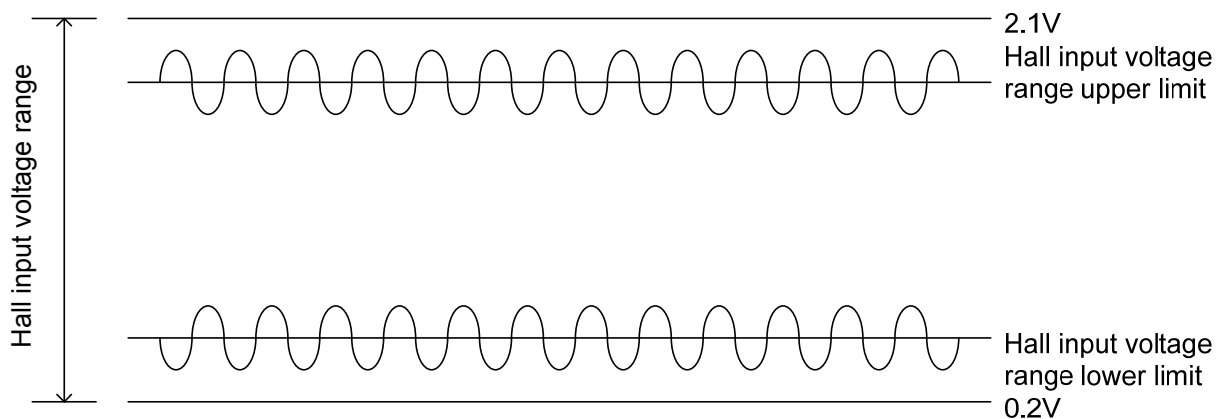


Fig.9 Hall input voltage range

Adjust the value of hall element bias resistor R1 in Fig.10 so that the input voltage of a hall amplifier is input in "hall input voltage range" including signal amplitude. Input out of the hall input voltage range may cause unexpected operation of output.

Reducing the noise of hall signal

Hall element may be affected by the depending on the wiring pattern of board. In this case, place a capacitor like C1 in Fig.10. In addition, when wiring from the hall element output to IC hall input is long, noise may be loaded on wiring. In this case, place a capacitor like C2 in Fig.10.

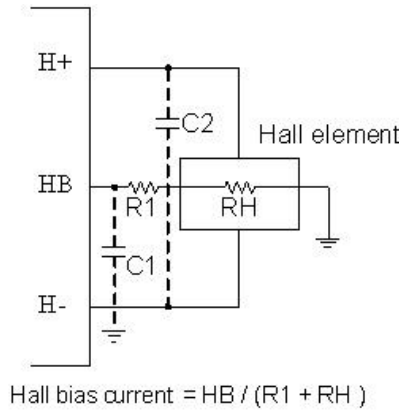


Fig.10 Application in the vicinity of hall signal

● PWM input

Rotation speed of motor can be changed by controlling ON/OFF of the upper output depending on duty of the signal input to PWM terminal.

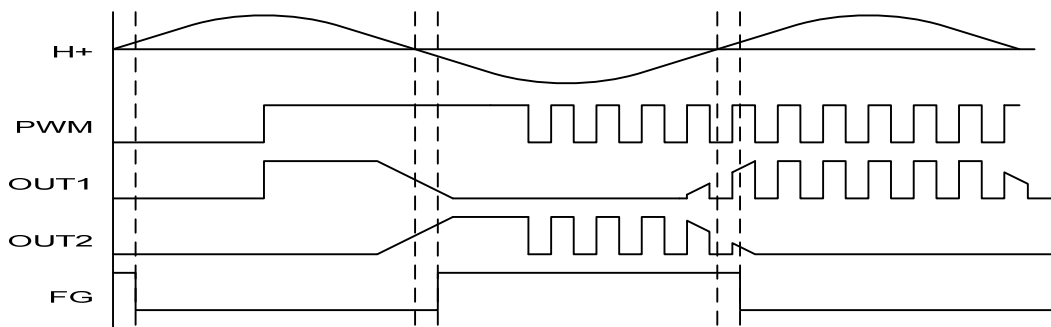


Fig.10 Timing chart in PWM control

When the voltage input to PWM terminal applies

H logic : normal operation

L logic : H side output is off

When PWM terminal is open, H logic is applied.

PWM terminal has hysteresis of 100mV (Typ.).

If H logic is applied to PWM terminal before VCC voltage is applied to IC, current flows to VCC terminal through ESD protection diode inside PWM terminal, resulting in malfunction may possibly occur.

When VCC voltage is not apply to IC, do not apply voltage to PWM terminal.

● Notes

1) Absolute maximum ratings

This product is produced with strict quality control, but destroyed in using beyond absolute maximum ratings. Once IC destroyed, a failure mode cannot be defined (like short-mode or open-mode). Therefore, physical security counter measure, like fuse, is to be given when a specific mode to be beyond absolute maximum rating is considered.

2) Reverse connection of power supply

Reverse connection of the power supply may break the device. A countermeasure is needed such as using reverse current protection diodes between the power supply and the V_{CC} terminal.

3) Power supply line

The BEMF causes re-circulate current to power supply, Please connect a capacitor between power supply and GND as a route of re-circulate current. And please determine the capacitance after confirmation that the capacitance does not causes any problems.

4) GND potential

The GND terminal should be the location of the lowest voltage on the chip.

5) Thermal design

The thermal design should allow enough margin for actual power dissipation.

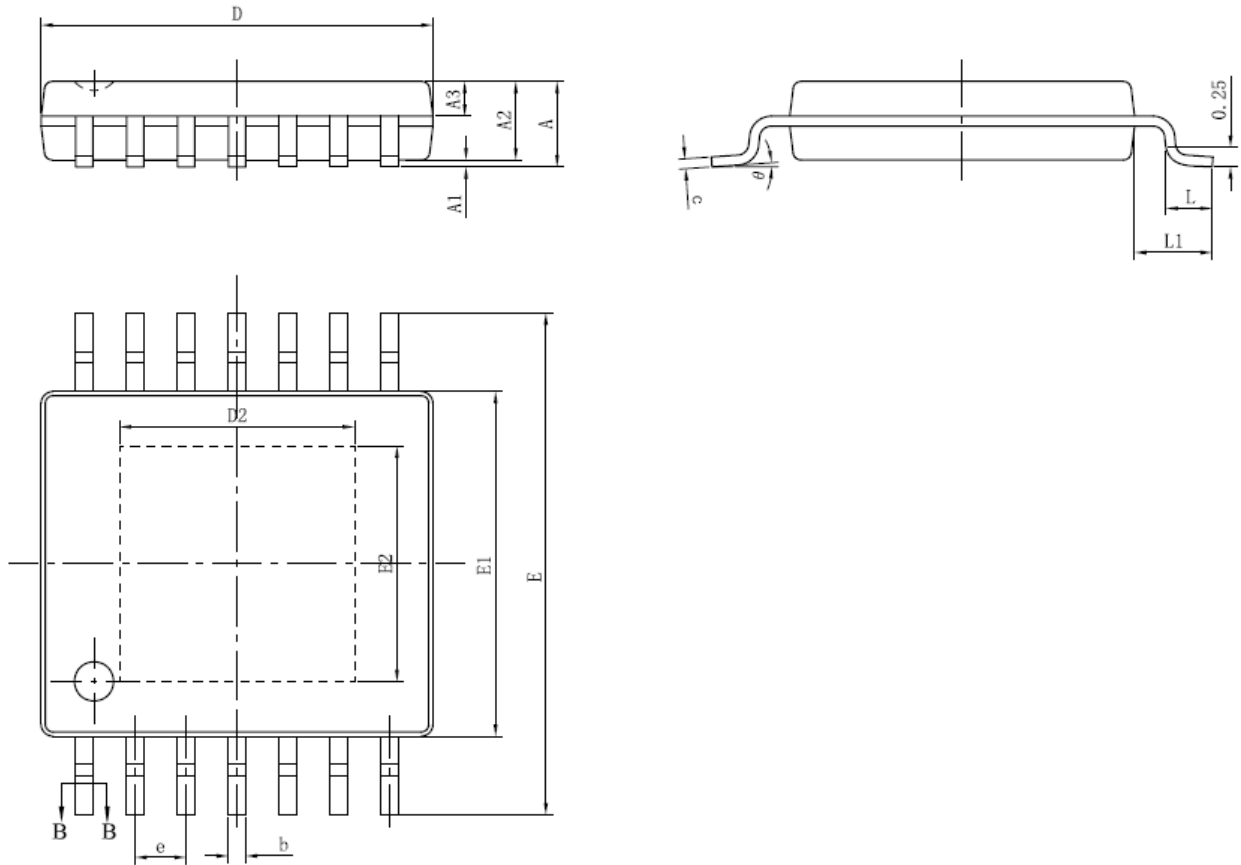
6) Mounting failures

Mounting failures, such as misdirection or miss-mounts, may destroy the device.

The electrical short caused by falling particle, between outputs; power supply and output; or output and ground, may damage the device.

● Packaging outline --- eTSSOP 14L

Unit : mm



reference JEDEC MO229(D)VJGD-2

| SYMBOL | MILLIMETERS | | INCHES | |
|--------|-------------|------|-----------|-------|
| | Min. | Max. | Min. | Max. |
| A | - | 1.2 | - | 0.047 |
| A1 | 0.05 | 0.15 | 0.002 | 0.006 |
| A2 | 0.9 | 1.05 | 0.035 | 0.041 |
| A3 | 0.39 | 0.49 | 0.015 | 0.019 |
| b | 0.2 | 0.3 | 0.008 | 0.012 |
| c | 0.13 | 0.19 | 0.005 | 0.007 |
| D | 4.86 | 5.06 | 0.190 | 0.197 |
| E1 | 4.3 | 4.5 | 0.168 | 0.176 |
| E | 6.2 | 6.6 | 0.242 | 0.257 |
| D2 | 2.9 | 3.1 | 0.113 | 0.121 |
| E2 | 2.9 | 3.1 | 0.113 | 0.121 |
| L | 0.45 | 0.75 | 0.018 | 0.029 |
| L1 | 1.00BSC | | 0.039 BSC | |
| e | 0.65 BSC | | 0.026 BSC | |

● **Condition of Soldering**

1).Manual Soldering

Time / Temperature \leq 3 sec / $400 \pm 10^\circ\text{C}$ (2 Times)

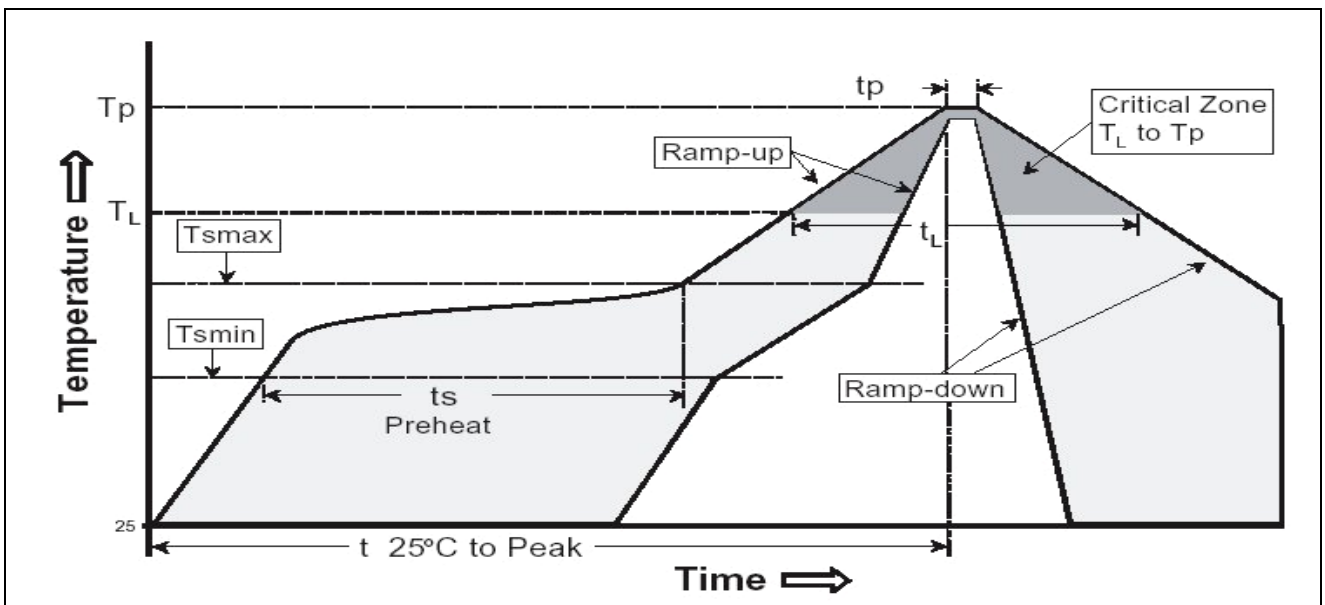
Test Results : 0 fail/ 22 tested

Manual Soldering count : 2 Times

2).Re-flow Soldering (follow IPC/JEDEC J-STD-020D)

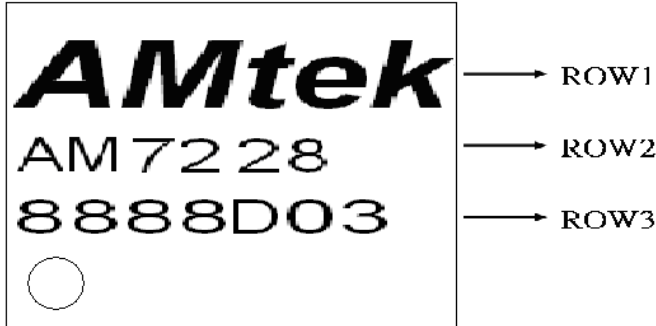
Classification Reflow Profile

| | |
|--|--------------------------------------|
| Profile Feature | Pb-Free Assembly |
| Average ramp-up rate (T_L to T_P) | $3^\circ\text{C}/\text{second}$ max. |
| Preheat | |
| - Temperature Min ($T_{s\ min}$) | 150°C |
| - Temperature Max ($T_{s\ max}$) | 200°C |
| - Time (t_s) from ($T_{s\ min}$ to $T_{s\ max}$) | 60-120 seconds |
| $T_{s\ max}$ to T_L | |
| - Temperature Min ($T_{s\ min}$) | $3^\circ\text{C}/\text{second}$ max. |
| Time maintained above: | |
| - Liquid us temperature (T_L) | 217°C |
| - Time (t_L) maintained above T_L | 60-150 seconds |
| Peak package body temperature (T_p) | $260 \pm 5^\circ\text{C}$ |
| Time with 5°C of actual Peak | 30 seconds |
| - Temperature (t_p) | |
| Ramp-down Rate | $6^\circ\text{C}/\text{second}$ max. |
| Time 25°C to Peak Temperature | 8 minutes max. |



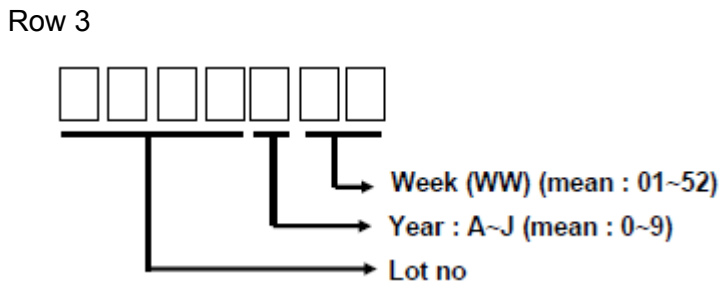
Test Results : 0 fail/ 32 tested Reflow count : 3 cycles

● **Marking Identification**



Row 1
AMtek

Row 2
Part number



Week : Assembly Date Code

Year : Assembly Year

(Year_A=0,B=1,C=2,D=3,E=4,F=5,G=6,H=7,I=8,J=9, exp 2012=C)

Lot no : Wafer Lot No