

Features

- **LOW OFFSET VOLTAGE: 20 μ V (Max)**
- **ZERO DRIFT: 0.01 μ V/ $^{\circ}$ C**
- **Ultra-low Noise:**
 - **Input Noise Voltage: 17 nV/ $\sqrt{\text{Hz}}$ at 1 kHz**
 - **0.1Hz to 10Hz Noise Voltage: 370 nV_{PP}**
 - **1/f Noise Corner Down to 0.1Hz**
- **3.3 MHz Bandwidth, 2.5 V/ μ s Slew Rate**
- **Low Supply Current: 470 μ A per Amplifier**
- **Single-Supply Operation Down to +1.8V**
- **Low Input Bias Current: 60 pA**
- **High Gain, 127 dB High CMRR & PSRR**
- **Overload Recovery Time: 35 μ s**
- **Rail-to-Rail Input and Output Swing**
- **-40 $^{\circ}$ C to 125 $^{\circ}$ C Operation Range**

Description

The TP5591-2-4 amplifiers are single, dual and quad chopper stabilized zero-drift operational amplifiers optimized for single or dual supply operation from 1.8V to 5.5V or ± 0.9 V to ± 2.75 V. The TP559x op-amps feature very low input offset voltage and low noise with 1/f noise corner down to 0.1Hz. The TP559x amplifiers are designed to have low offset voltage and offset temperature drift, wide gain bandwidth and rail-to-rail input and output swing while minimizing power consumption.

The TP559x op-amps can provide low offset voltage (20 μ V Max) and near-zero drift over time and temperature with excellent CMRR and PSRR.

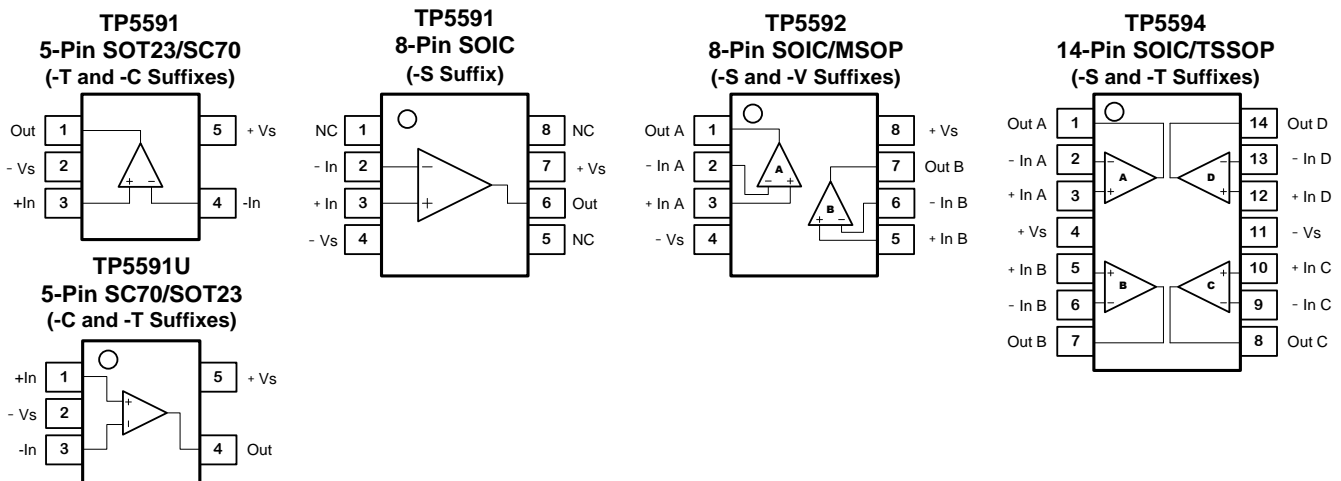
The TP5591 (single version) is available in SC70-5, SOT23-5 and SO-8 packages. The TP5592 (dual version) is offered in MSOP-8, SO-8 package. The TP5594 (quad version) is available in TSSOP-14 and SO-14 package. All versions are specified for operation from -40 $^{\circ}$ C to 125 $^{\circ}$ C.

3PEAK and the 3PEAK logo are registered trademarks of 3PEAK INCORPORATED. All other trademarks are the property of their respective owners.

Applications

- **Medical Instrumentation**
- **Temperature Measurements**
- **Precision current sensing**
- **Precision Low Drift, Low Frequency ADC Drivers**
- **Process Control Systems**
- **Precision Voltage Reference Buffers**

Pin Configuration (Top View)



TP5591 / TP5592 / TP5594

Low Noise, 1.8V, 3.3MHz, RRIO, Zero Drift Op-amps

Order Information

Model Name	Order Number	Package	Transport Media, Quantity	Marking Information
TP5591	TP5591-TR	SOT23-5	Tape and Reel, 3,000	E91T
	TP5591-SR	SOIC-8	Tape and Reel, 4,000	TP5591
TP5591U	TP5591U-CR	SC70-5	Tape and Reel, 3,000	91V
TP5592	TP5592-SR	SOIC-8	Tape and Reel, 4,000	TP5592
	TP5592-VR	MSOP-8	Tape and Reel, 3,000	TP5592
TP5594	TP5594-SR	SOIC-14	Tape and Reel, 2,500	TP5594
	TP5594-TR	TSSOP-14	Tape and Reel, 3,000	TP5594

Absolute Maximum Ratings ^{Note 1}

Supply Voltage:6V
 Input Voltage: $V^- - 0.1$ to $V^+ + 0.1$
 Input Current: +IN, -IN ^{Note 2} ± 20 mA
 Output Current: OUT ± 60 mA
 Output Short-Circuit Duration ^{Note 3} Indefinite

Current at Supply Pins ± 50 mA
 Operating Temperature Range -40°C to 125°C
 Maximum Junction Temperature 150°C
 Storage Temperature Range -65°C to 150°C
 Lead Temperature (Soldering, 10 sec) 260°C

Note 1: Stresses beyond those listed under Absolute Maximum Ratings may cause permanent damage to the device. Exposure to any Absolute Maximum Rating condition for extended periods may affect device reliability and lifetime.

Note 2: The inputs are protected by ESD protection diodes to each power supply. If the input extends more than 500mV beyond the power supply, the input current should be limited to less than 10mA.

Note 3: A heat sink may be required to keep the junction temperature below the absolute maximum. This depends on the power supply voltage and how many amplifiers are shorted. Thermal resistance varies with the amount of PC board metal connected to the package. The specified values are for short traces connected to the leads.

ESD, Electrostatic Discharge Protection

Symbol	Parameter	Condition	Minimum Level	Unit
HBM	Human Body Model ESD	ANSI/ESDA/JEDEC JS-001	7	kV
CDM	Charged Device Model ESD	ANSI/ESDA/JEDEC JS-002	2	kV

Low Noise, 1.8V, 3.3MHz, RRIO, Zero Drift Op-amps

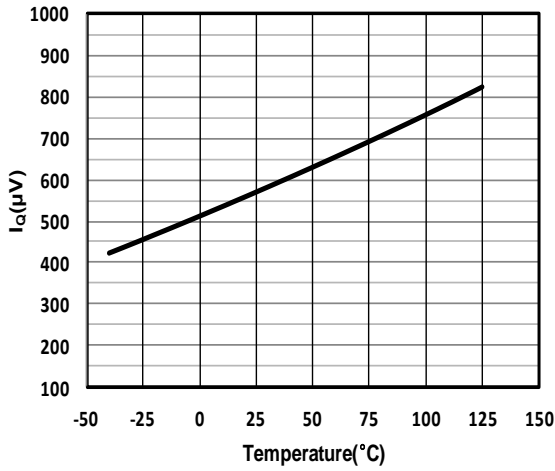
Electrical Characteristics

At $T_A = 27^\circ\text{C}$, $V_S = 5\text{V}$, $R_L = 10\text{k}\Omega$, $V_{CM} = V_{DD}/2$, unless otherwise noted.

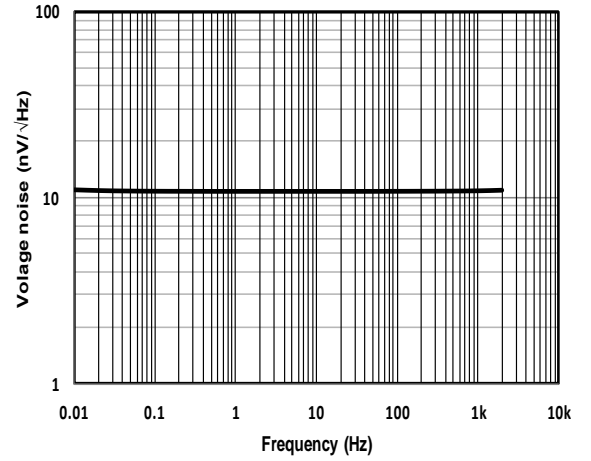
SYMBOL	PARAMETER	CONDITIONS	MIN	TYP	MAX	UNITS
V_S	Supply voltage range		1.8		5.5	V
I_Q	Quiescent current per amplifier	TP5591		1200	1400	μA
		TP5592/4		550	950	μA
V_{OS}	Input offset voltage	$V_{CM} = 0.05\text{V}$ to 4.95V		± 5	± 20	μV
		$V_S = 1.8\text{V}$, $V_{CM} = 0.9\text{V}$		± 5	± 20	μV
dV_{OS}/dT	vs. temperature			0.01		$\mu\text{V}/^\circ\text{C}$
PSRR	vs power supply	$V_S = 3\text{V}$ to 5V	95	130		dB
V_n	Input voltage noise, $f=0.01\text{Hz}$ to 1Hz			0.1		μV_{pp}
	Input voltage noise, $f=0.1\text{Hz}$ to 10Hz			0.37		μV_{pp}
e_n	Input voltage noise density, $f=1\text{kHz}$			17		$\text{nV}/\sqrt{\text{Hz}}$
C_{IN}	Input capacitor differential			3		pF
	Input capacitor common-mode			2		pF
I_B	Input current			± 60	± 200	pA
	Over temperature			± 800		pA
I_{OS}	Input offset current			± 100	± 400	pA
V_{CM}	Common-mode voltage range		$(V_-)-0.1$		$(V_+)+0.1$	V
CMRR	Common-mode rejection ratio	$V_{CM} = 0.5\text{V}$ to 4.5V	110	127		dB
	Output voltage swing from rail	$R_L=10\text{k}\Omega$		5	25	mV
I_{SC}	Short-circuit current			± 60		mA
GBWP	Unity gain bandwidth	$C_L=100\text{pF}$		3.3		MHz
SR	Slew rate	$G=+1$, $C_L=100\text{pF}$		2.5		$\text{V}/\mu\text{s}$
t_{OR}	Overload recovery time	$G=-10$		35		μs
t_S	Settling time to 0.01%	$C_L=100\text{pF}$		20		μs
A_{VOL}	Open-loop voltage gain	$(V_-)+100\text{mV} < V_O < (V_+)-100\text{mV}$, $R_L = 100\text{k}\Omega$	100	130		dB
θ_{JA}	Thermal resistance junction to ambient	SOT23-5		200		$^\circ\text{C}/\text{W}$
		MSOP-8		210		
		SO-8		158		
		SC70-5		250		
		SO-14		83		
		TSSOP-14		100		

Typical Performance Characteristics

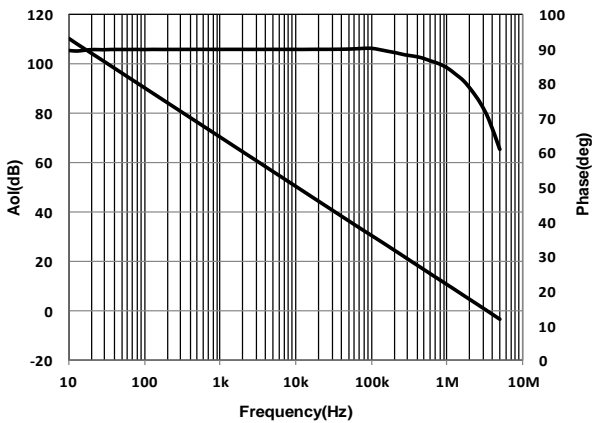
Quiescent Current vs Temperature



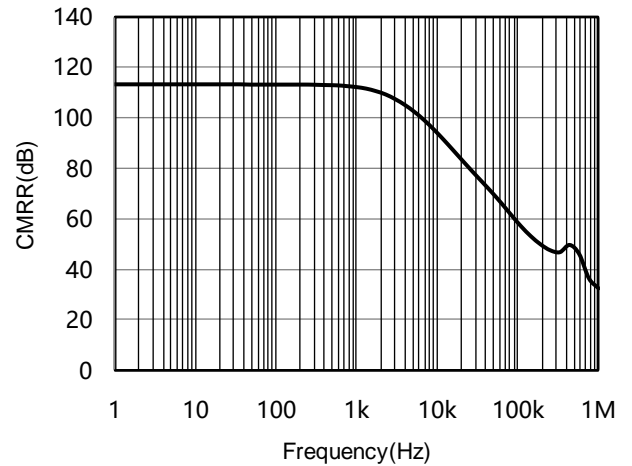
Voltage Noise Spectral Density vs Frequency



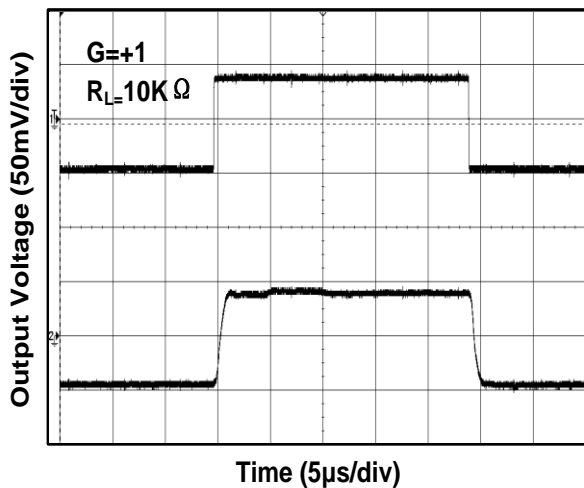
OPEN-LOOP GAIN vs FREQUENCY



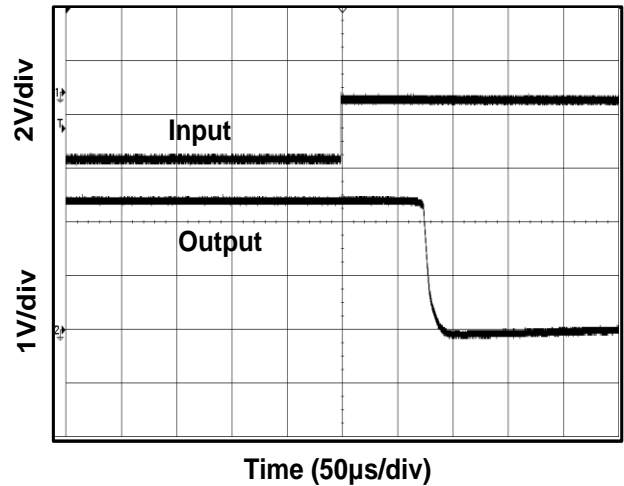
CMRR vs FREQUENCY



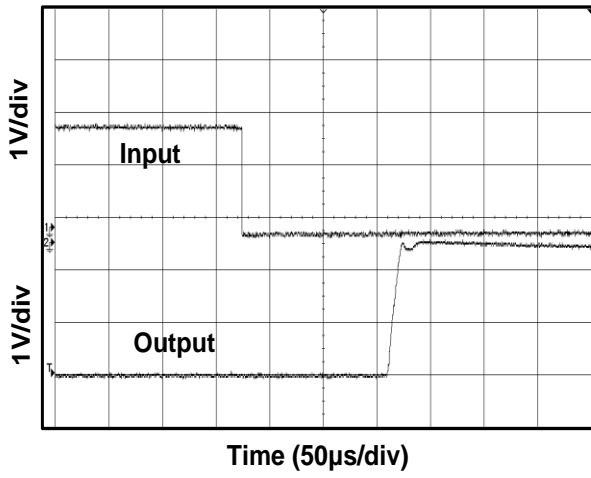
Small-Scale Step Response



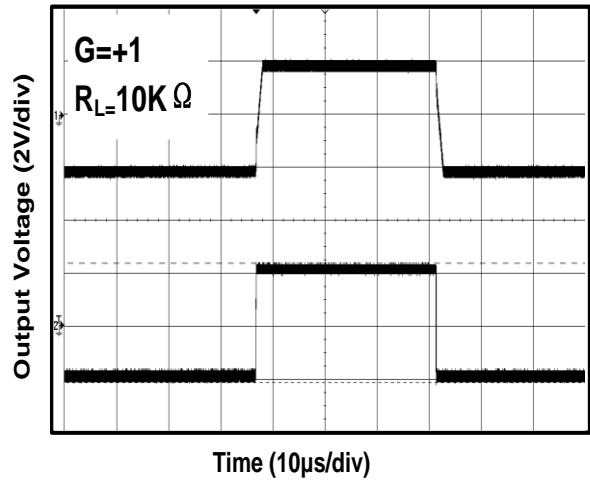
Positive Over-Voltage Recovery



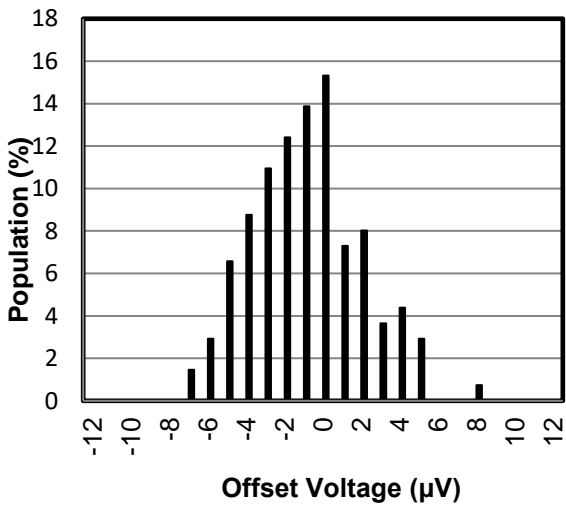
Negative Over-Voltage Recovery



Large-Scale Step Response



Offset Voltage Distribution

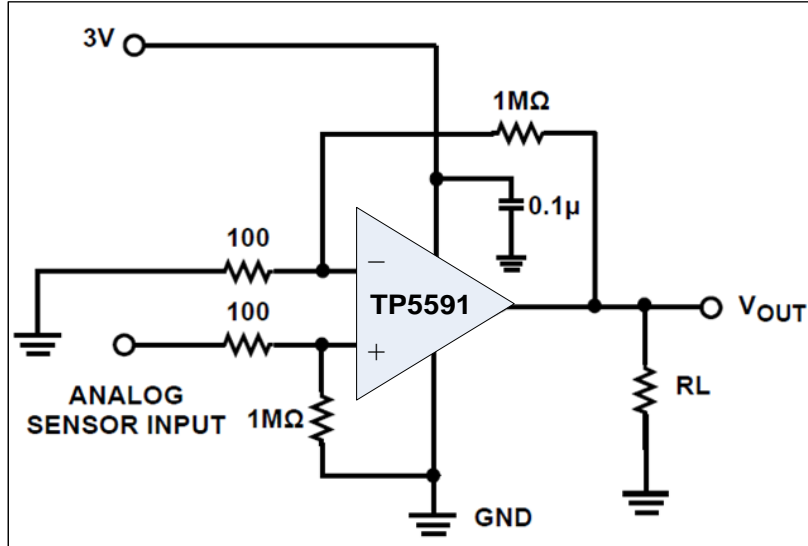


TP5591 / TP5592 / TP5594

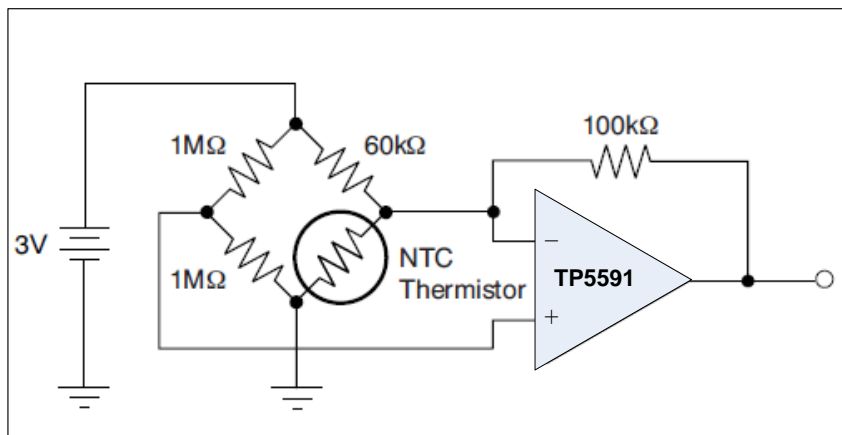
Low Noise, 1.8V, 3.3MHz, RRIO, Zero Drift Op-amps

Typical Applications

Single Supply, High Gain Amplifier, $A_v = 10,000$ V/V



Thermistor Measurement



Pin Functions

-IN: Inverting Input of the Amplifier.

+IN: Non-Inverting Input of Amplifier.

OUT: Amplifier Output. The voltage range extends to within mV of each supply rail.

V+ or +Vs: Positive Power Supply. Typically the voltage is from 1.8V to 5.5V. Split supplies are possible as long as the voltage between V+ and V- is between 1.8V and 5.5V. A bypass capacitor of 0.1µF as close to the part as

possible should be used between power supply pins or between supply pins and ground.

V- or -Vs: Negative Power Supply. It is normally tied to ground. It can also be tied to a voltage other than ground as long as the voltage between V+ and V- is from 1.8V to 5.5V. If it is not connected to ground, bypass it with a capacitor of 0.1µF as close to the part as possible.

Operation

The TP559x series op amps are zero drift, rail-to-rail operation amplifiers that can be run from a single-supply voltage. They use an auto-calibration technique with a time-continuous 3.3 MHz op amp in the signal path while consuming only 470 µA of supply current per channel. This amplifier is zero-corrected with an ~550 kHz clock. Upon power-up, the amplifier requires approximately 100 µs to achieve specified Vos accuracy. This design has no aliasing or flicker noise.

Applications Information

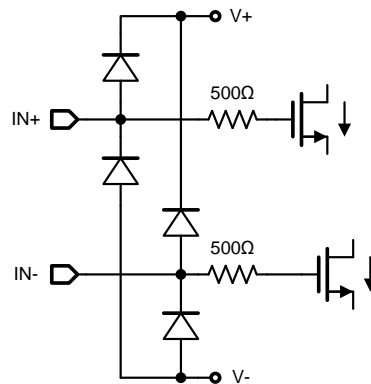
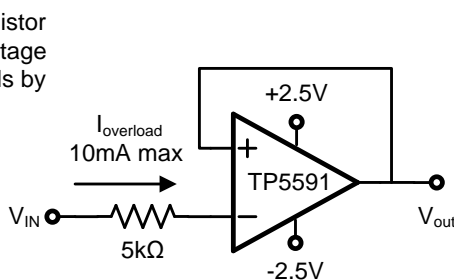
Rail-To-Rail Input And Output

The TP559x op-amps feature rail-to-rail input and output with a supply voltage from 1.8V to 5.5 V. This allows the amplifier inputs to have a wide common mode range (50mV beyond supply rails) while maintaining high CMRR(127dB) and maximizes the signal to noise ratio of the amplifier by having the V_{OH} and V_{OL} levels be at the V+ and V- rails, respectively.

Input Protection

The TP559x op-amps have internal ESD protection diodes that are connect between the inputs and supply rail. When either input exceeds one of the supply rails by more than 300mV, the ESD diodes become forward biased and large amounts of current begin to flow through them. Without current limiting, this excessive fault current causes permanent damage to the device. Thus an external series resistor must be used to ensure the input currents never exceed 10mA.

Current-limiting resistor required if input voltage exceeds supply rails by >0.5V.



INPUT ESD DIODE CURRENT LIMITING- UNITY GAIN

TP5591 / TP5592 / TP5594

Low Noise, 1.8V, 3.3MHz, RRIO, Zero Drift Op-amps

Low Input Referred Noise

Flicker noise, as known as 1/f noise, is inherent in semiconductor devices and increases as frequency decreases. So at lower frequencies, flicker noise dominates, causing higher degrees of error for sub-Hertz frequencies or dc precision application.

The TP559x op-amps are chopper stabilized amplifiers, the flicker noise is reduced greatly because of this technique. This reduction in 1/f noise allows the TP559x to have much lower noise at dc and low frequency compared to standard low noise amplifier.

Residual voltage ripple

The chopping technique can be used in amplifier design due to the internal notch filter. Although the chopping related voltage ripple is suppressed, higher noise spectrum exists at the chopping frequency and its harmonics due to residual ripple.

So if the frequency of input signal is nearby the chopping frequency, the signal maybe interfered by the residue ripple. To further suppress the noise at the chopping frequency, it is recommended that a post filter be placed at the output of the amplifier.

Broad Band And External Resistor Noise Considerations

The total broadband noise output from any amplifier is primarily a function of three types of noise: input voltage noise from the amplifier, input current noise from the amplifier, and thermal (Johnson) noise from the external resistors used around the amplifier. These noise sources are not correlated with each other and their combined noise can be summed in a root sum squared manner. The full equation is given as:

$$e_n \text{ total} = [e_n^2 + 4kTR_s + (i_n \times R_s)^2]^{1/2}$$

Where:

e_n = the input voltage noise density of the amplifier.

i_n = the input current noise of the amplifier.

R_s = source resistance connected to the noninverting terminal.

k = Boltzmann's constant (1.38×10^{-23} J/K). T = ambient temperature in Kelvin (K).

The total equivalent rms noise over a specific bandwidth is expressed as:

$$e_{n,rms} = e_n \text{ total} \times \sqrt{BW}$$

The input voltage noise density (e_n) of the TP559x is 17 nV/ $\sqrt{\text{Hz}}$, and the input current noise can be neglected. When the source resistance is 190 k Ω , the voltage noise contribution from the source resistor and the amplifier are equal. With source resistance greater than 190 k Ω , the overall noise of the system is dominated by the Johnson noise of the resistor itself.

High Source Impedance Application

The TP559x op-amps use switches at the chopper amplifier input, the input signal is chopped at 125kHz to reduce input offset voltage down to 20 μ V. The dynamic behavior of these switches induces a charge injection current to the input terminals of the amplifier. The charge injection current has a DC path to ground through the resistances seen at the input terminals of the amplifier. Higher input impedance cause an apparent shift in the input bias current of the amplifier.

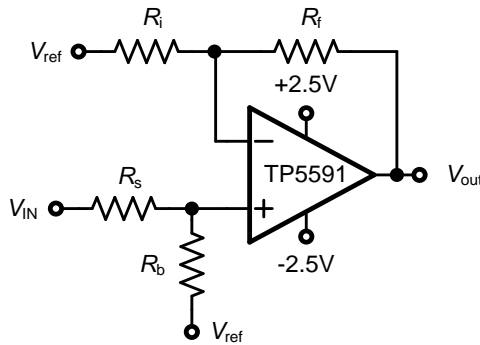
Because the chopper amplifier has charge injection currents at each terminal, the input offset current will be larger than standard amplifiers. The I_{OS} of TP559x are 150pA under the typical condition. So the input impedance should be balanced across each input. The input impedance of the amplifier should be matched between the IN+ and IN-

Low Noise, 1.8V, 3.3MHz, RRIO, Zero Drift Op-amps

terminals to minimize total input offset current. Input offset currents show up as an additional output offset voltage, as shown in the following equation:

$$V_{os,total} = v_{os} - R_f \times I_{os}$$

For a gain configure using 1MΩ feedback resistor, a 150pA total input offset current will have an additional output offset voltage of 0.15mV. By keeping the input impedance low and balanced across the amplifier inputs, the input offset current effect will be suppress efficiently.



Circuit Implication for reducing Input offset current effect

PCB Surface Leakage

In applications where low input bias current is critical, Printed Circuit Board (PCB) surface leakage effects need to be considered. Surface leakage is caused by humidity, dust or other contamination on the board. It is recommended to use multi-layer PCB layout and route the OPA’s -IN and +IN signal under the PCB surface.

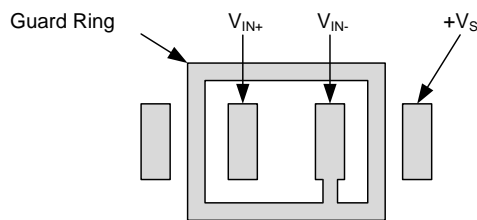
The effective way to reduce surface leakage is to use a guard ring around sensitive pins (or traces). The guard ring is biased at the same voltage as the sensitive pin. An example of this type of layout is shown in the Figure for Inverting Gain application.

1. For Non-Inverting Gain and Unity-Gain Buffer:

- a) Connect the non-inverting pin (V_{IN+}) to the input with a wire that does not touch the PCB surface.
- b) Connect the guard ring to the inverting input pin (V_{IN-}). This biases the guard ring to the Common Mode input voltage.

2. For Inverting Gain and Trans-impedance Gain Amplifiers (convert current to voltage, such as photo detectors):

- a) Connect the guard ring to the non-inverting input pin (V_{IN+}). This biases the guard ring to the same reference voltage as the op-amp (e.g., $V_{DD}/2$ or ground).
- b) Connect the inverting pin (V_{IN-}) to the input with a wire that does not touch the PCB surface.



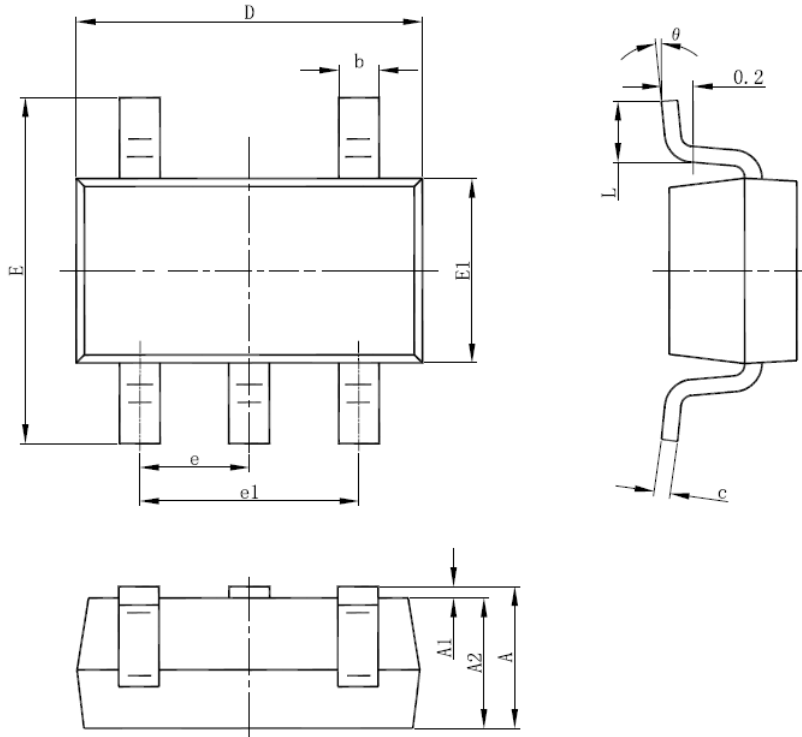
The Layout of Guard Ring

TP5591 / TP5592 / TP5594

Low Noise, 1.8V, 3.3MHz, RRIO, Zero Drift Op-amps

Package Outline Dimensions

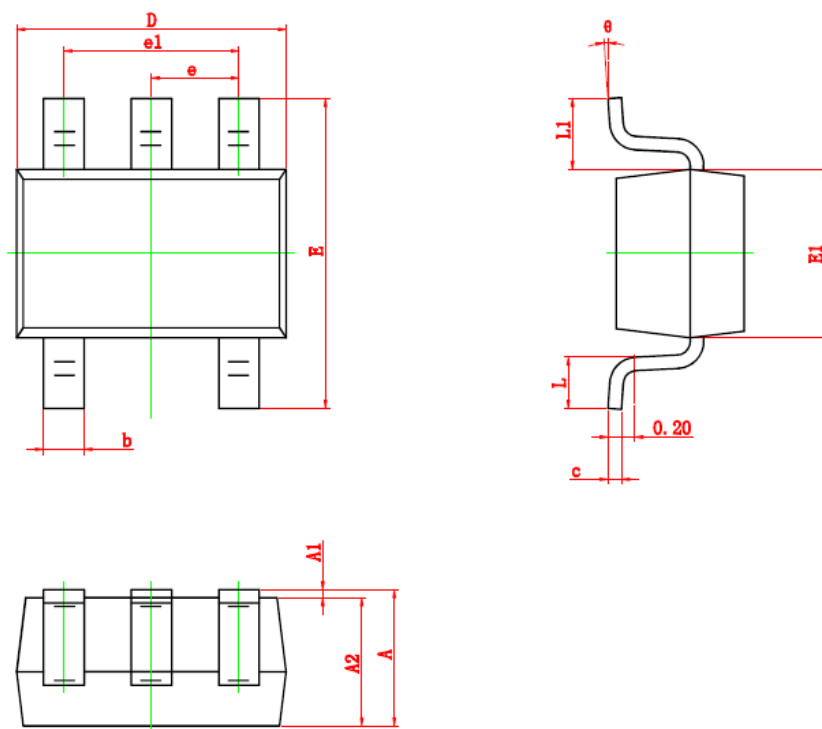
SOT23-5



Symbol	Dimensions In Millimeters		Dimensions In Inches	
	Min.	Max.	Min.	Max.
A	1.050	1.250	0.041	0.049
A1	0.000	0.100	0.000	0.004
A2	1.050	1.150	0.041	0.045
b	0.300	0.500	0.012	0.020
c	0.100	0.200	0.004	0.008
D	2.820	3.020	0.111	0.119
E1	1.500	1.700	0.059	0.067
E	2.650	2.950	0.104	0.116
e	0.950(BSC)		0.037(BSC)	
e1	1.800	2.000	0.071	0.079
L	0.300	0.600	0.012	0.024
θ	0°	8°	0°	8°

Package Outline Dimensions

SC70-5 (SOT353)



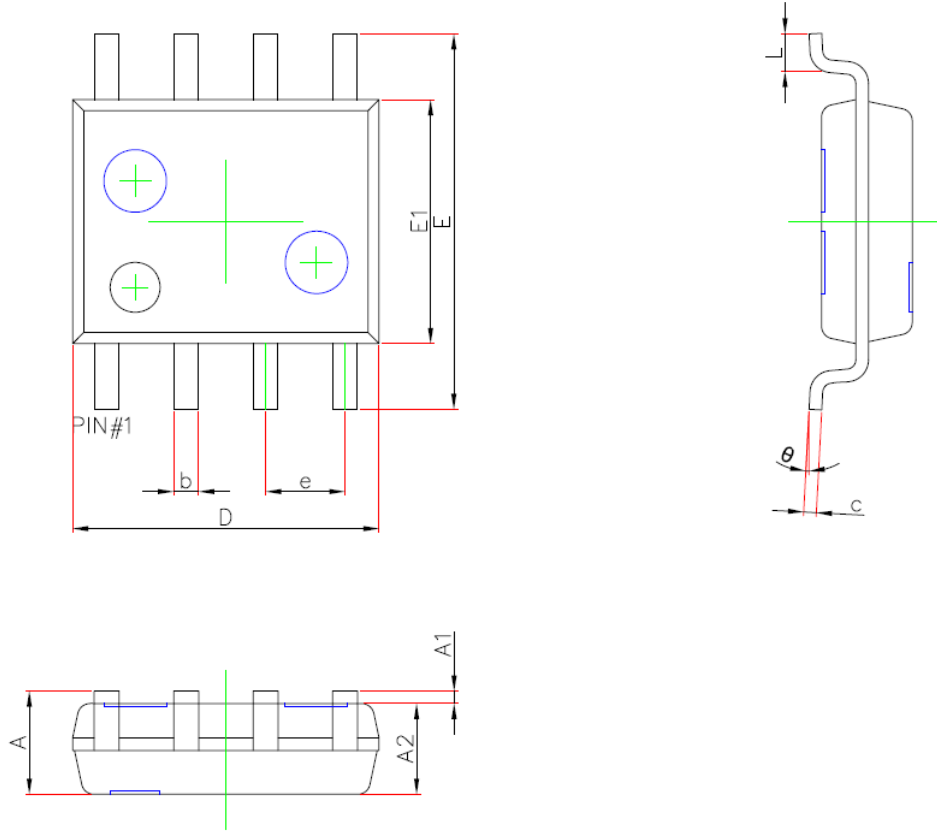
Symbol	Dimensions In Millimeters		Dimensions In Inches	
	Min.	Max.	Min.	Max.
A	0.900	1.100	0.035	0.043
A1	0.000	0.100	0.000	0.004
A2	0.900	1.000	0.035	0.039
b	0.150	0.350	0.006	0.014
c	0.110	0.175	0.004	0.007
D	2.000	2.200	0.079	0.087
E	2.150	2.450	0.085	0.096
E1	1.150	1.350	0.045	0.053
e	0.650 TYP.		0.026 TYP.	
e1	1.200	1.400	0.047	0.055
L	0.260	0.460	0.010	0.018
L1	0.525 REF.		0.021 REF.	
θ	0°	8°	0°	8°

TP5591 / TP5592 / TP5594

Low Noise, 1.8V, 3.3MHz, RRIO, Zero Drift Op-amps

Package Outline Dimensions

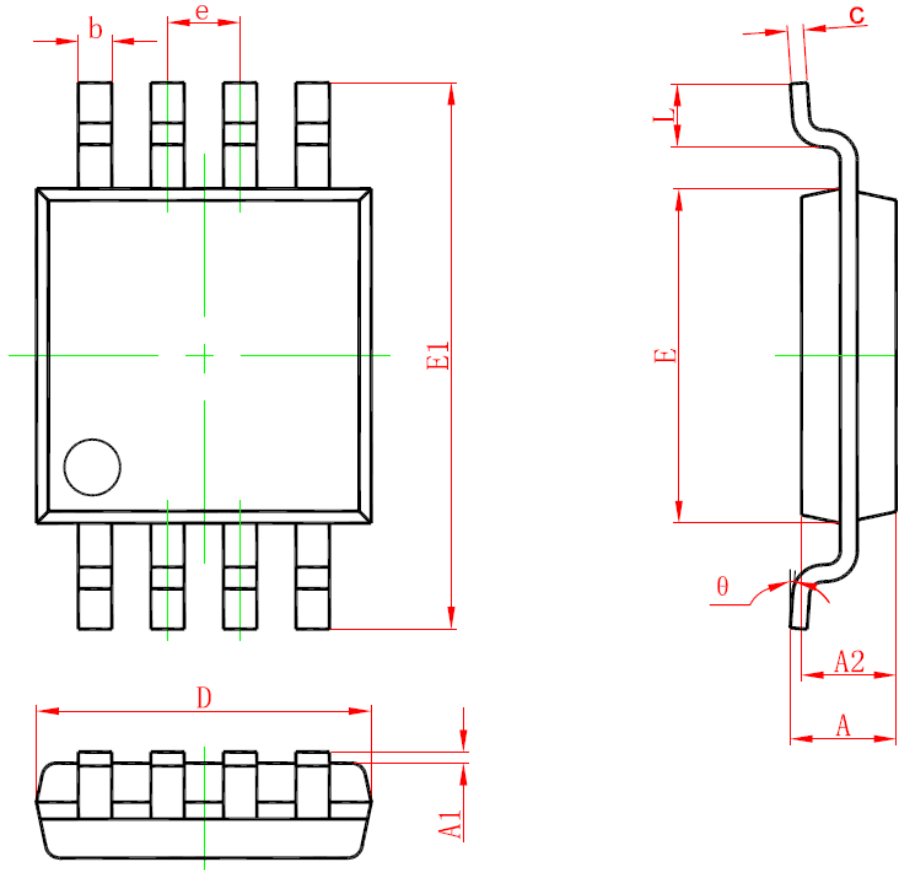
SOP-8 (SOIC-8)



Symbol	Dimensions In Millimeters		Dimensions In Inches	
	Min.	Max.	Min.	Max.
A	1.350	1.750	0.053	0.069
A1	0.100	0.250	0.004	0.010
A2	1.350	1.550	0.053	0.061
b	0.330	0.510	0.013	0.020
c	0.170	0.250	0.007	0.010
D	4.700	5.100	0.185	0.201
E	5.800	6.200	0.228	0.244
E1	3.800	4.000	0.150	0.157
e	1.270(BSC)		0.050(BSC)	
L	0.400	0.800	0.016	0.031
θ	0°	8°	0°	8°

Package Outline Dimensions

MSOP-8

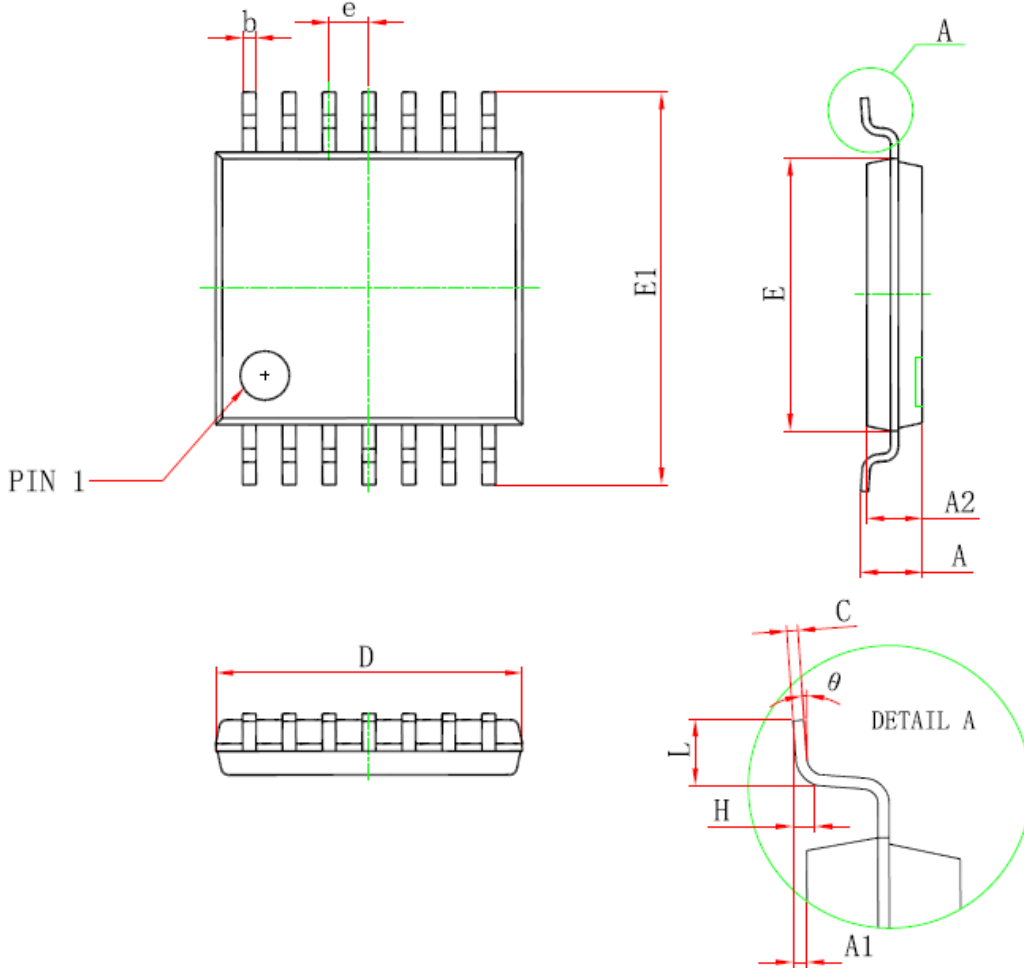


Symbol	Dimensions In Millimeters		Dimensions In Inches	
	Min	Max	Min	Max
A	0.820	1.100	0.032	0.043
A1	0.020	0.150	0.001	0.006
A2	0.750	0.950	0.030	0.037
b	0.250	0.380	0.010	0.015
c	0.090	0.230	0.004	0.009
D	2.900	3.100	0.114	0.122
e	0.650(BSC)		0.026(BSC)	
E	2.900	3.100	0.114	0.122
E1	4.750	5.050	0.187	0.199
L	0.400	0.800	0.016	0.031
θ	0°	6°	0°	6°

TP5591 / TP5592 / TP5594

Low Noise, 1.8V, 3.3MHz, RRIO, Zero Drift Op-amps Package Outline Dimensions

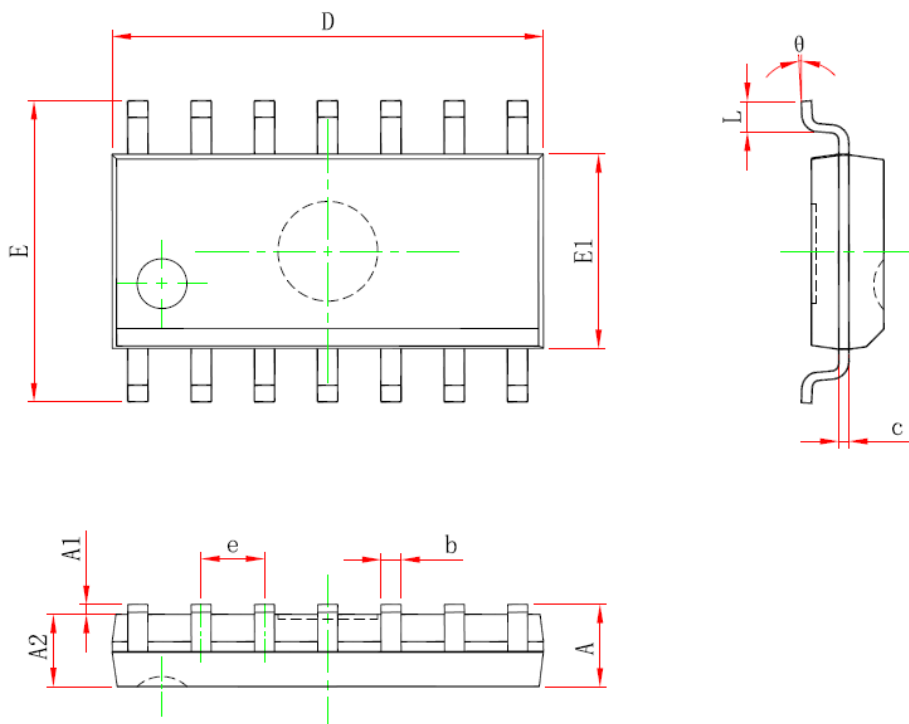
TSSOP-14



Symbol	Dimensions In Millimeters		Dimensions In Inches	
	Min	Max	Min	Max
D	4.900	5.100	0.193	0.201
E	4.300	4.500	0.169	0.177
b	0.190	0.300	0.007	0.012
c	0.090	0.200	0.004	0.008
E1	6.250	6.550	0.246	0.258
A		1.200		0.047
A2	0.800	1.000	0.031	0.039
A1	0.050	0.150	0.002	0.006
e	0.65 (BSC)		0.026 (BSC)	
L	0.500	0.700	0.020	0.028
H	0.25(TYP)		0.01(TYP)	
θ	1°	7°	1°	7°

Package Outline Dimensions

SOP-14 (SOIC-14)



Symbol	Dimensions In Millimeters		Dimensions In Inches	
	Min	Max	Min	Max
A	—	1.750	—	0.069
A1	0.100	0.250	0.004	0.010
A2	1.250	—	0.049	—
b	0.310	0.510	0.012	0.020
c	0.100	0.250	0.004	0.010
D	8.450	8.850	0.333	0.348
E	5.800	6.200	0.228	0.244
E1	3.800	4.000	0.150	0.157
e	1.270(BSC)		0.050(BSC)	
L	0.400	1.270	0.016	0.050
θ	0°	8°	0°	8°

Revision History

Date	Revision	Notes
2022/4/30	A.3	Update order information.

IMPORTANT NOTICE AND DISCLAIMER

Copyright© 3PEAK 2012-2023. All rights reserved.

Trademarks. Any of the 思瑞浦 or 3PEAK trade names, trademarks, graphic marks, and domain names contained in this document /material are the property of 3PEAK. You may NOT reproduce, modify, publish, transmit or distribute any Trademark without the prior written consent of 3PEAK.

Performance Information. Performance tests or performance range contained in this document/material are either results of design simulation or actual tests conducted under designated testing environment. Any variation in testing environment or simulation environment, including but not limited to testing method, testing process or testing temperature, may affect actual performance of the product.

Disclaimer. 3PEAK provides technical and reliability data (including data sheets), design resources (including reference designs), application or other design recommendations, networking tools, security information and other resources "As Is". 3PEAK makes no warranty as to the absence of defects, and makes no warranties of any kind, express or implied, including without limitation, implied warranties as to merchantability, fitness for a particular purpose or non-infringement of any third-party's intellectual property rights. Unless otherwise specified in writing, products supplied by 3PEAK are not designed to be used in any life-threatening scenarios, including critical medical applications, automotive safety-critical systems, aviation, aerospace, or any situations where failure could result in bodily harm, loss of life, or significant property damage. 3PEAK disclaims all liability for any such unauthorized use.