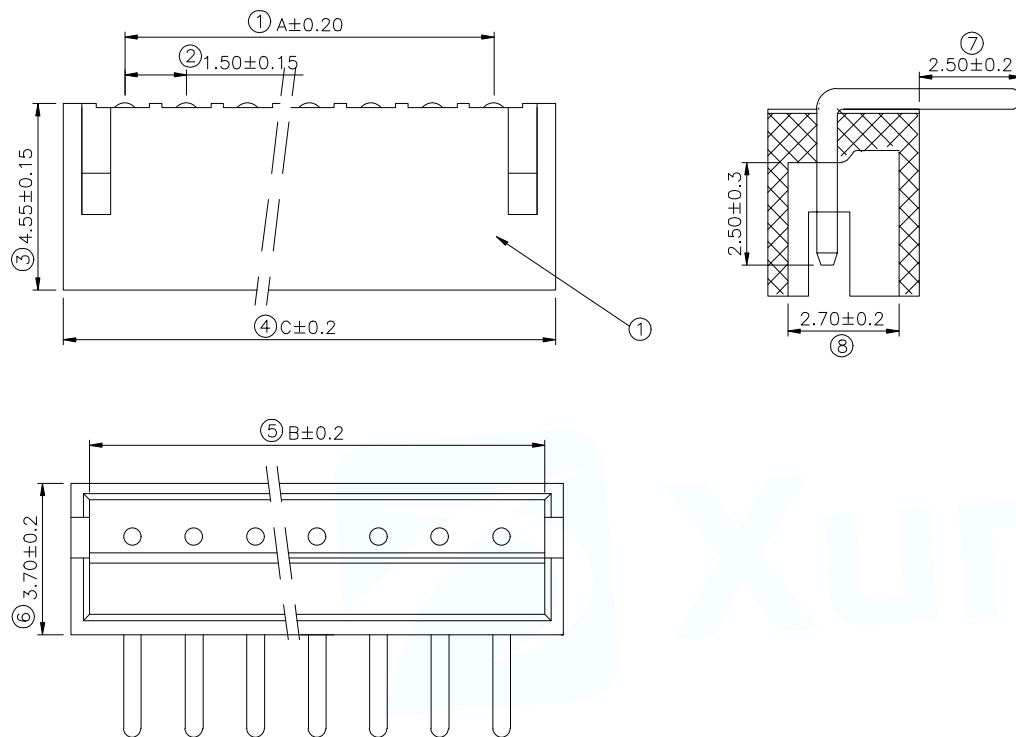
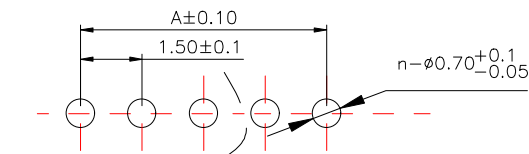


| | | | | |
|------|--------------|------|------|---------|
| MAPX | MODIFICATION | DATE | DRAW | APPROVE |
| | | | | |



| Part No | Pin | A | B | C |
|-------------------|-----|-------|-------|-------|
| WAFER-ZH1.5-2PWZ | 2 | 1.50 | 3.60 | 4.50 |
| WAFER-ZH1.5-3PWZ | 3 | 3.00 | 5.10 | 6.00 |
| WAFER-ZH1.5-4PWZ | 4 | 4.50 | 6.60 | 7.50 |
| WAFER-ZH1.5-5PWZ | 5 | 6.00 | 8.10 | 9.00 |
| WAFER-ZH1.5-6PWZ | 6 | 7.50 | 9.60 | 10.50 |
| WAFER-ZH1.5-7PWZ | 7 | 9.00 | 11.10 | 12.00 |
| WAFER-ZH1.5-8PWZ | 8 | 10.50 | 12.60 | 13.50 |
| WAFER-ZH1.5-9PWZ | 9 | 12.00 | 14.10 | 15.00 |
| WAFER-ZH1.5-10PWZ | 10 | 13.50 | 15.60 | 16.50 |
| WAFER-ZH1.5-11PWZ | 11 | 15.00 | 17.00 | 18.00 |
| WAFER-ZH1.5-12PWZ | 12 | 16.50 | 18.60 | 19.50 |
| WAFER-ZH1.5-13PWZ | 13 | 18.00 | 20.10 | 21.00 |
| WAFER-ZH1.5-14PWZ | 14 | 19.50 | 21.60 | 22.50 |
| WAFER-ZH1.5-15PWZ | 15 | 21.00 | 23.10 | 24.00 |
| WAFER-ZH1.5-16PWZ | 16 | 22.50 | 24.60 | 25.50 |



SUGGESTED PCB LAYOUT
(COMPONENT SIDE)

技术要求:

1. 塑件材料: PA66(UL-94V-0)
2. 接触件: 黄铜镀锡
3. 接触电阻: $\leq 10m\Omega$
4. 绝缘电阻: $\geq 100M\Omega$
5. 额定电压: 250V AC DC
6. 额定电流: 2.0A AC DC
7. 耐压: 能承受 1000V AC/Minute
8. 工作温度: $-25^{\circ}\sim+85^{\circ}$
9. 可焊性试验: 浸锡面积 $\geq 95\%$ 温度 $235 \pm 5^{\circ}$, 时间 2.5 ± 0.5 秒
10. 铅和镉等六大有害物质含量要符合环保要求。

| 2 | 端子Contact | 黄铜 | N*1 | 电镀(锡): 整个表面镀底镍 30u"MIN, 再镀锡 80u"MIN |
|----|-----------|----------------|-----|-------------------------------------|
| 1 | 基座Wafer | PA66(UL94 V-0) | 1 | 白色 |
| 序号 | 名称 | 材料 | 数量 | 备注 |

| | | | | |
|---------------------------------------|---------|---|---|---|
| MANUFACTURE DWG | |  |  东莞市讯普电子科技有限公司 DongGuan XunPu Electronics Co.,Ltd | |
| UNLESS OTHERWISE SPECIFIED TOLERANCES | | | TITLE: WAFER ZH1.5MM 弯针 | |
| DECIMALS: | ANGLES: | PAR | WAFER-ZH1.5-NPWZ | |
| .X±0.20 | ±2' | DWN | | |
| .XX±0.10 | | CHKD | | |
| .XXX±0.05 | | APVD | | |
| CUSTOMER COPY | | SCALE:1:1 | UNIT:MM |  |
| | | SIZE:A4 | SHEET:1F1 | REV:A |