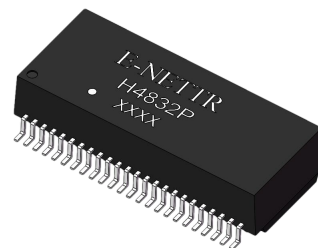




# E-NETTR 10/100/1000 Base-T DUAL Port Transformer Module

P/N: H4832P

- \* Designed to meet IEEE802.3bt requirement
- \* Lead-Free & Designed to meet RoHS requirement
- \* Designed to meet IR255°C peak requirement
- \* primary inductance 350uH Min with 8mA DC Bias
- \* Operating temperature range -40°C to +85°C
- \* POE applications with 1A current capability



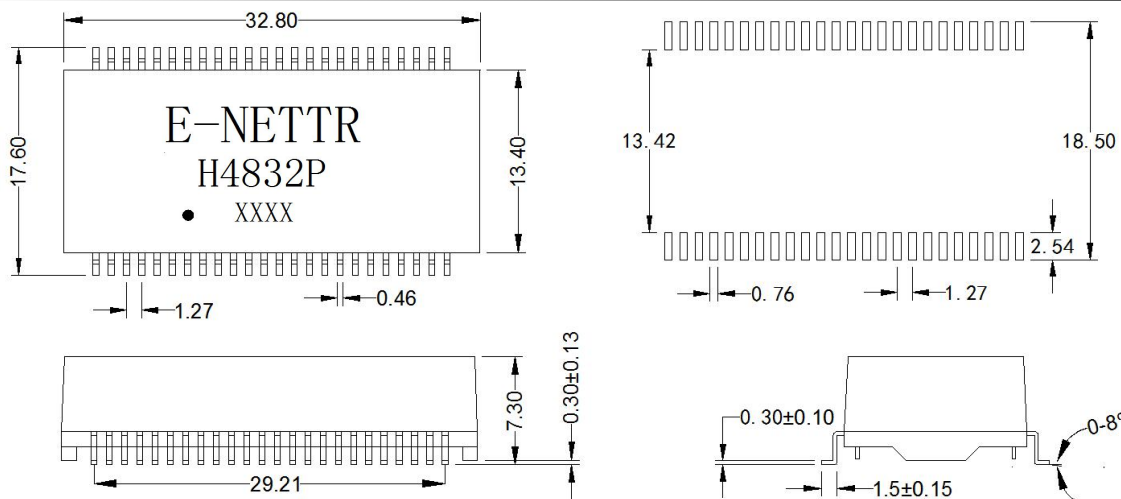
## Electrical Specifications @ 25°C

Part Number	Turn Ratio (±3%)	OCL(uH Min) @ 100KHz/0.1V with 15mA DC Bias	L.L (uH Max)	C <sub>w/w</sub> (pF Max)	DCR (Ω Max)	Hi-Pot (Vrms MIN)
H4832P	1CT:1CT	350	0.5	28	1.4	AC1500V / 1mA/1S

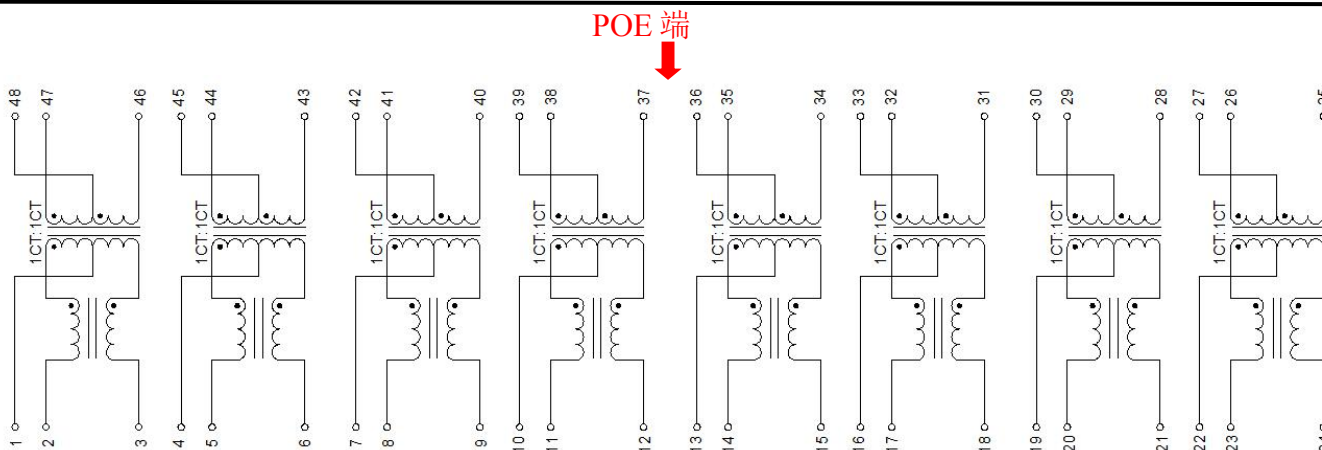
## Continue

Part Number	Insertion Loss 0.3~100MHZ (dB Max)	Return Loss (dB Min)					Cross Talk (dB Min)			DCMR (dB Min)		
		0.3-40MHz	50MHz	60MHz	80MHz	100MHz	30MHz	60MHz	100MHz	30MHz	60MHz	100MHz
H4832P	-1.4	-16	-14.08	-12.5	-10	-8	-40	-35	-30	-40	-35	-30

## Mechanical



## Schematics



东莞市祥星电子有限公司

地址: 东莞市石碣镇横滘科技中路第三工业区

TEL: 0769-86384669

FAX: 0769-81813600

Http://www.e-nettr.com

[xxing.guang@163.com](mailto:xxing.guang@163.com)