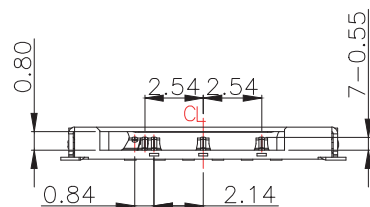
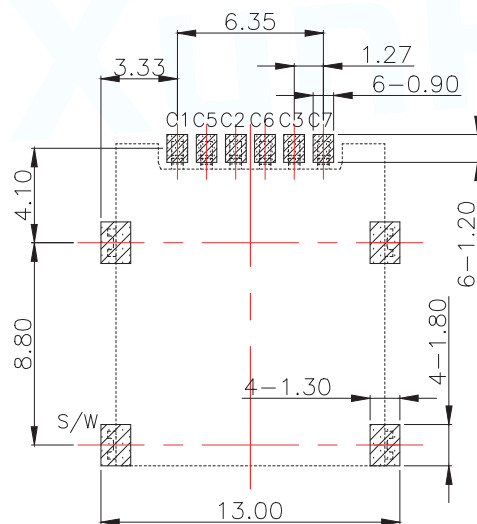


NOTES:

- MATERIAL:
 - Housing: High Temperature Thermoplastic UL94V-0; Color Black.
 - Terminal: Copper Alloy, T=0.12mm.
 - Shell: Stainless Steel, T=0.20mm.
- FINISH:
 - Terminal: Plated Gold on The Contact Area and Solder Tails
 - Peg: Plated Gold on the Solder Tails.
- SPECIALITY:
 - Rated current: 0.5A
 - Rated voltage: 50V
 - Contact Resistance: 80mΩMAX
 - Insulation Resistance: 100MΩMIN 100V DC
 - Dielectric withstanding voltage: 100V AC.
 - Solder ability: 245±5°C, 5±0.5s.
 - Operating condition: Temperature: -30°C~+80°C Humidity: 80% R.H MAX



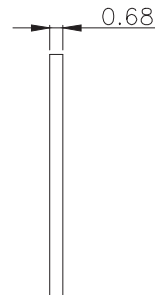
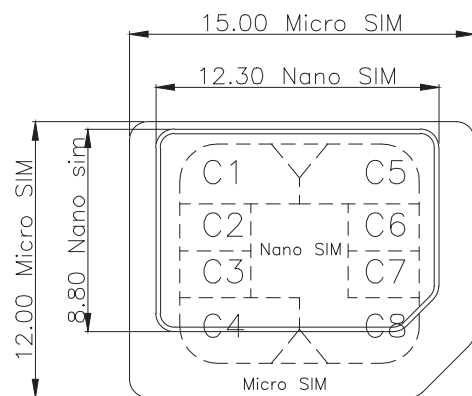
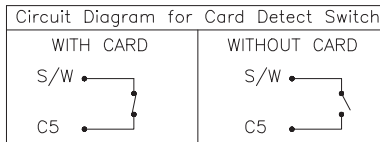
NANO SIM CARD	
Pin No.	NAME
C1	VCC OF SIM
C2	RST OF SIM
C3	CLK OF SIM
C5	GND OF SIM
C6	VPP OF SIM
C7	I/O OF SIM
C4/C8	N/A
S/W	Switch Pin



▨ PAD AREA

RECOMMENDED PCB LAYOUT

GENERAL TOLERANCE ±0.05



③	TERMINAL	6	C5210-EH, T=0.12	Au 3u" PLATING
②	BASE INSULATOR	1	LCP+GF30%	BLACK
①	SHELL	1	SUS304-H, T=0.15	AU/Ni PLATING
NO.	PART NAME	Q'TY	DESCRIPTION	NOTE

MANUFACTURE DWG

UNLESS OTHERWISE SPECIFIED TOLERANCES

DECIMALS: X.:±0.50 X.X:±0.20 X.XX:±0.10

ANGLES: X.:±2° X.X':±1°

CUSTOMER COPY

东莞市讯普电子科技有限公司
DongGuan XunPu Electronics Co., Ltd

TITLE: 7pin 1.4h higne namo sim card conn.

PAR SMN-305-ARP7

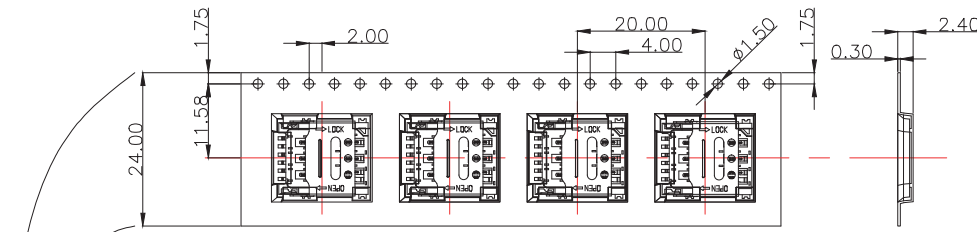
DWN

CHKD

APVD

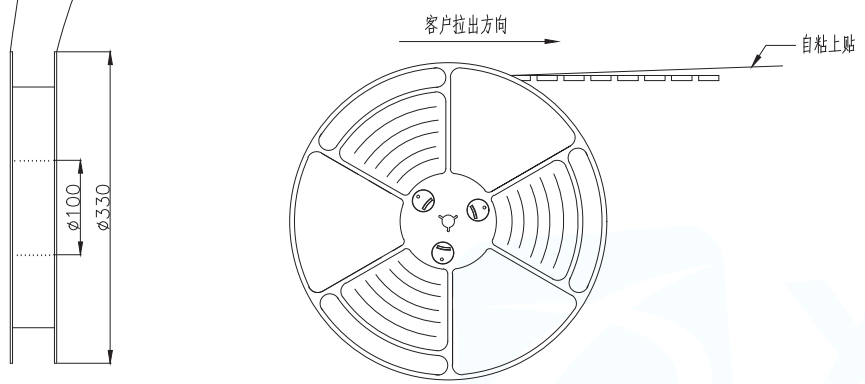
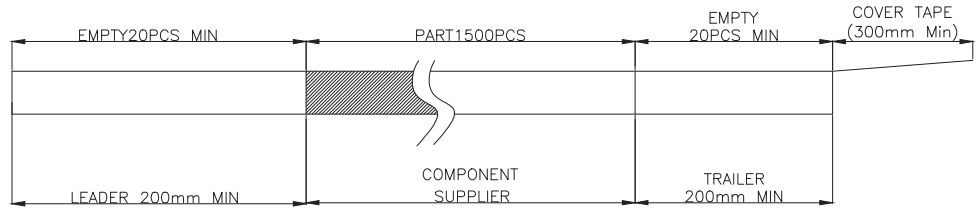
SCALE: 1:1 UNIT: MM

SIZE: A4 SHEET: 1F1 REV: A

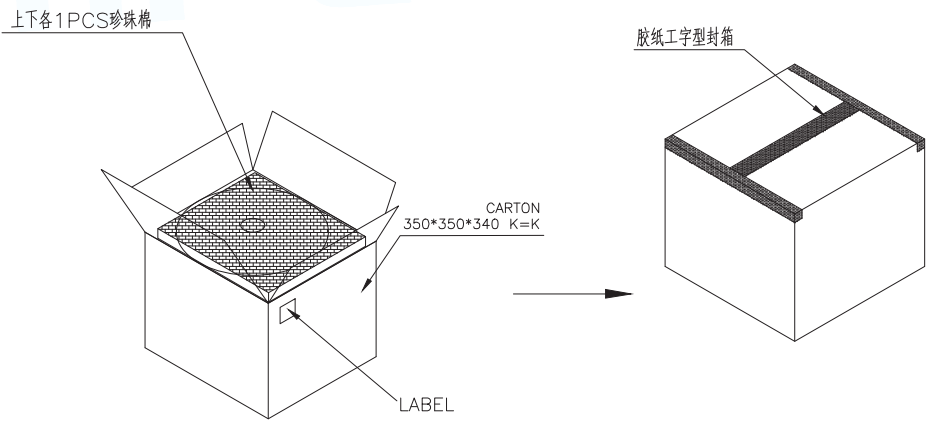
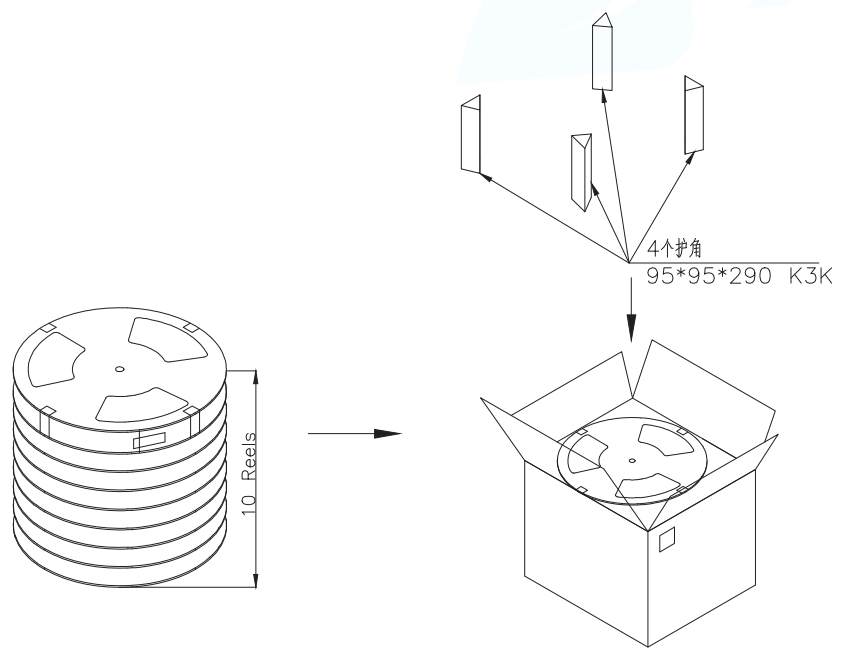


NOTES

1. NUMBER OF CONNECTORS:1500PCS/REEL
2. LEAD TAPE LENGTH



3. QUANTITY:15000PCS/CARTON



MANUFACTURE DWG		 东莞市讯普电子科技有限公司 DongGuan XunPu Electronics Co.,Ltd		
UNLESS OTHERWISE SPECIFIED TOLERANCES			TITLE:7PIN 1.4H HINGE NANO SIM CARD CONN. 包装图	
DECIMALS:	ANGLES:		PAR SMN-305-ARP7	
X.:±0.50	X.':±2'		DWN	
X.X:±0.20	X.X':±1'		CHKD	
X.XX:±0.10		APVD		
		SCALE1:1	UNIT:MM	
		CUSTOMER COPY	SIZE:A4	
			SHEET:1F1	
			REV:A	