

ZD25WD20C

Ultra Low Power, 2M-bit

Serial Multi I/O Flash Memory Datasheet

Performance Highlight

- ◆ Wide supply range from 1.65V to 3.6V for Read, Erase and Program
- ◆ Ultra-Low Power consumption for Read, Erase and Program
- ◆ x1, x2 Multi I/O Support
- ◆ High reliability with 100K cycling endurance and 20-year data retention
- ◆ Page/Sector/Block Erase

ZETTA Technology reserves the right to make changes, corrections or modifications without further notice to any products or this document here in. ZETTA Technology does not assume any responsibility for use of any its products for any particular purpose, nor does ZETTA Technology assume any liability arising out of the application or use of any its products or circuits. ZETTA Technology does not convey any license under its patent rights or other rights nor the rights of others.

Contents

1. OVERVIEW.....	3
1.1 Performance.....	3
1.2 Pin Definition.....	4
2. DESCRIPTION.....	5
2.1 Block Diagram.....	5
2.2 Memory Organization.....	5
3. DEVICE OPERATION.....	6
3.1 Mode0 and Mode3.....	6
3.2 Status Register (SR).....	7
3.3 Data Protection.....	8
4. COMMAND DESCRIPTION.....	9
4.1 Write Enable (WREN) (06H).....	12
4.2 Write Disable (WRDI) (04H).....	12
4.3 Write Enable for Volatile Status Register (50H).....	12
4.4 Read Status Register (RDSR) (05H).....	13
4.5 Write Status Register (WRSR) (01H).....	13
4.6 Read Data Bytes (READ) (03H).....	14
4.7 Read Data Bytes at Higher Speed (FAST_READ) (0BH).....	15
4.8 Dual Output Fast Read (DREAD) (3BH).....	15
4.9 Dual I/O Fast Read (2READ) (BBH).....	16
4.10 Dual I/O Fast Read with “Continuous Read Mode” (BBH).....	16
4.11 Page Erase (PE) (81H).....	17
4.12 Sector Erase (SE) (20H).....	18
4.13 Half Block Erase (HBE) (52H).....	18
4.14 Block Erase (BE) (D8H).....	19
4.15 Chip Erase (CE) (60H or C7H).....	19
4.16 Page Program (PP) (02H).....	20
4.17 Deep Power-Down (DP) (B9H).....	21
4.18 Release from Deep Power-Down (RDP), Read Electronic Signature (RES) (ABH).....	22
4.19 Read Electronic Manufacturer ID & Device ID (REMS) (90H).....	23
4.20 Dual I/O Read Electronic Manufacturer ID & Device ID (DREMS) (92H).....	24
4.21 Read Identification (RDID) (9FH).....	25
4.22 Reset Enable (RSTEN) (66H) and Reset (RST) (99H).....	26
4.23 Read Unique ID (RUID) (4BH).....	27
5. ELECTRICAL SPECIFICATIONS.....	28
6. ORDERING INFORMATION.....	33
7. PACKAGE INFORMATION.....	34
7.1 Package SOP8 150 MIL.....	34
7.2 Package TSSOP8.....	35
7.3 Package USON8 (3x2x0.45).....	36
7.4 Package USON6 (1.2x1.2x0.40).....	37
7.5 Package USON6 (1.0x0.72x0.45).....	38
7.6 Package USON6 (1.225x0.725x0.45).....	39
8. REVISION HISTORY.....	40

1. OVERVIEW

The ZD25WD20C serial flash supports the standard Serial Peripheral Interface (SPI), and supports the Dual SPI: Serial Clock, Chip Select, Serial Data I/O0 (SI), I/O1 (SO), I/O2 . The Dual I/O & Dual output data is transferred with Maximum speed of 208Mbits/s.

1.1 Performance

- **Single and Dual IO mode**

- Standard SPI: SCLK, /CS, SI, SO
- Dual SPI: SCLK, /CS, IO0, IO1

- **Highest Performance Speed**

- 1 IO 104MHz for fast read
- 2 IO Dual I/O Data transfer up to 208Mbits/s

- **Power Supply and Low Power Consumption**

- Single 1.65V to 3.6V supply
- 0.5 μ A standby current, 0.3 μ A deep power down current
- 1.3mA active read current at 33MHz, 3.2mA active program or erase current

- **Flexible Architecture for Code and Data Storage**

- Uniform 256-byte Page Erase, Uniform 4K-byte Sector Erase
- Uniform 32/64K-byte Block Erase, Program 1 to 256 byte per programmable page
- Minimum 100,000 Program/Erase Cycles, More than 20-year data retention

- **Fast Program and Erase Speed**

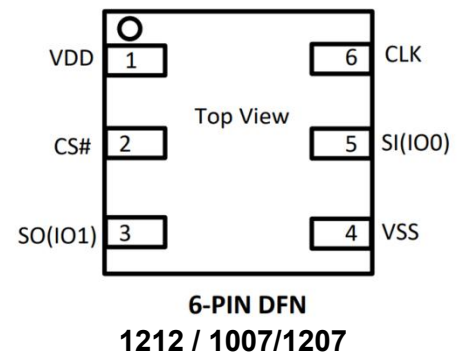
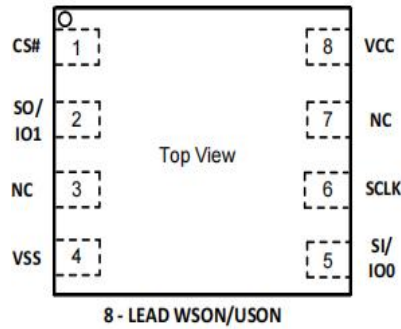
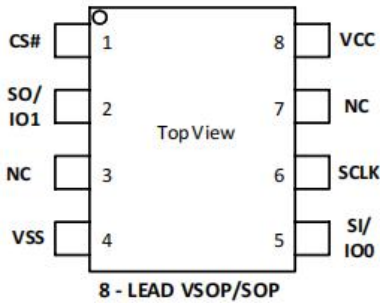
- 2ms page program time, 13ms page erase time
- 13ms 4K-byte sector erase time, 13ms 32K/64K-byte block erase time

- **Advanced Security Features**

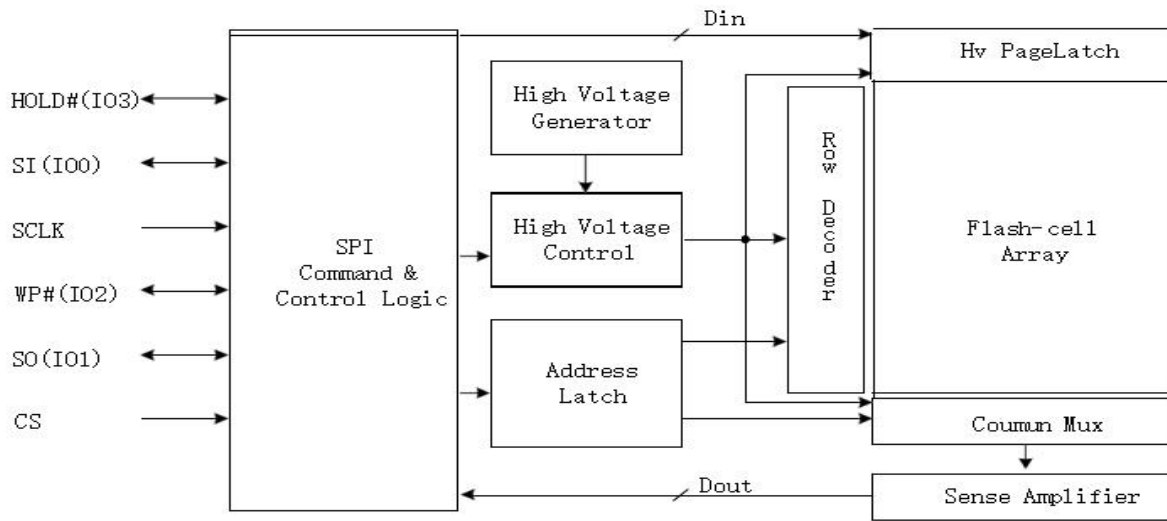
- 128-Bit Unique ID for each device

- **Package Options**

- SOP8
- TSSOP8
- USON8 (2x3x0.45 mm)
- USON6(1.2x1.2x0.40mm)
- USON6(1.0x0.72x0.45mm)
- USON6(1.225x0.725x0.45mm)
- KGD

1.2 Pin Definition

Table-1. 8-Pin Definition

Pin Name	Description
CS#	Chip Select Input
SO (IO1)	Data Output (Data Input Output 1)
NC	No Connection
VSS	Ground
SI (IO0)	Data Input (Data Input Output 0)
SCLK	Serial Clock Input
NC	No Connection
VCC	Power Supply

2. DESCRIPTION
2.1 BLOCK DIAGRAM

2.2 MEMORY ORGANIZATION
Table-2. ZD25WD20C Array Organization

Each device has	Each block has	Each sector has	Each page has	
256K	64/32K	4K	256	Bytes
1K	256/128	16	-	Pages
64	16/8	-	-	Sectors
4/8	-	-	-	Blocks

Table-3. ZD25WD20C Uniform Block Sector Architecture

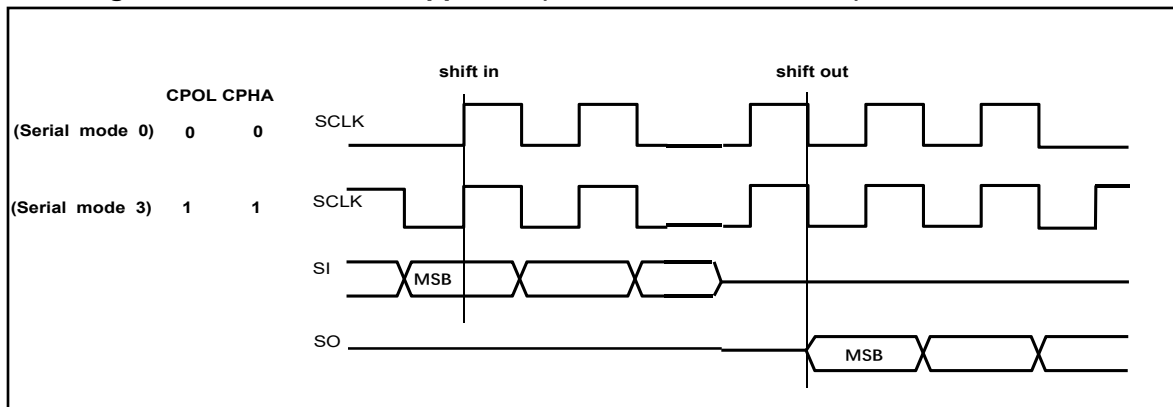
Block (64K-byte)	Block (32K-byte)	Sector (4K-byte)	Address Range	
3	6~7	63	03F000H	03FFFFH
	
2	4~5	48	030000H	030FFFH
	
1	2~3	32	02F000H	02FFFFH
	
0	0~1	16	01F000H	01FFFFH
	
0	0~1	0	010000H	010FFFH
	
0	0~1	15	00F000H	00FFFFH
	
0	0~1	0	000000H	000FFFH
	

3. DEVICE OPERATION

3.1 Mode0 and Mode3

1. Before a command is issued, the status register should be checked to ensure the device is ready for the intended operation.
2. When an incorrect command is input, the device enters standby mode and remains in standby mode until the next CS# falling edge. In standby mode, the SO pin of the device is in High-Z.
3. When the correct command is input, the device enters active mode and remains in active mode until the next rising edge of CS#.
4. For standard single data rate serial mode, input data is latched on the rising edge of Serial Clock (SCLK) and data is shifted out on the falling edge of SCLK. The difference between Serial mode 0 and mode 3 is shown in Figure-1.

Figure-1. Serial Modes Supported (for Normal Serial Mode)



Standard SPI

The ZD25WD20C features a serial peripheral interface on 4 signals: Serial Clock (SCLK), Chip Select (CS#), Serial Data Input (SI) and Serial Data Output (SO). Both SPI bus mode 0 and 3 are supported. Input data is latched on the rising edge of SCLK and is data shifted out on the falling edge of SCLK.

Dual SPI

The ZD25WD20C supports Dual SPI operation when using the “Dual Output Fast Read” (3BH), “Dual I/O Fast Read” (BBH) and “Dual I/O Read Manufacture ID & Device ID” (92H) commands. These commands allow data to be transferred to or from the device at twice the rate of the standard SPI. When using the Dual SPI command, the SI and SO pins become bidirectional I/O pins: IO0 and IO1.

3.2 Status Register (SR)

Table-4. Status Register

S7	S6	S5	S4	S3	S2	S1	S0
(R)	(R)	(R)	BP2	BP1	BP0	WEL	WIP
Reserved	Reserved	Reserved	Non-volatile			Read-only	Read-only

The status and control bits of the Status Register are as follows:

WIP bit

The Write in Progress (WIP) bit indicates whether the device is busy executing a program/erase/write status register operation. When the Write in Progress (WIP) bit is set to 1, a program/erase/write status register operation is in progress. When the Write in Progress (WIP) bit is set to 0, the device does not have a program/erase/write status register operation in progress.

WEL bit

The Write Enable Latch (WEL) bit indicates the status of the internal Write Enable Latch. When set to 1, the internal Write Enable Latch is set, when set to 0 the internal Write Enable Latch is reset, and no Write Status Register, Program or Erase command is accepted.

BP2, BP1, BP0 bits

The Block Protect (BP2, BP1, BP0) bits are non-volatile. They define the size of the area to be software protected against Program and Erase commands. These bits are written with the Write Status Register (WRSR) command. When the Block Protect (BP2, BP1, BP0) bits are set to 1, the relevant memory area (as defined in Table1).becomes protected against Page Program (PP), Sector Erase (SE) and Block Erase (BE) commands. The Block Protect (BP2, BP1, BP0) bits can be written provided that the Hardware Protected mode has not been set. The Chip Erase (CE) command is executed, if the Block Protect (BP2, BP1, BP0) bits are all 0. The default value of BP2:0 are 0s.

3.3 Data Protection

During power transition, there may be some false system level signals which result in inadvertent erasure or programming. The device is designed to protect itself from these accidental write cycles.

The state machine will be reset to standby mode automatically during power up. In addition, the control register architecture of the device ensures that the memory contents can only be changed after specific command sequences have completed successfully.

In the following, there are several features to protect the system from the accidental write cycles during VCC power-up and power-down or from system noise.

- Valid command length checking: The command length will be checked whether it is at byte base and completed on byte boundary.
- Write Enable (06H) command: WREN command is required to set the Write Enable Latch bit (WEL) before issuing other commands to change data.
- Software Protection Mode: The Block Protect (BP2, BP1, and BP0) bits define the section of the memory array that can be read but not changed.
- Deep Power-Down Mode: By entering deep power down mode, the flash device is ignores all commands until the Release from Deep Power-Down Mode (B9H) command.

Table-5. ZD25WD20C Protected Area Size

Status Register Content			Memory Content			
BP2	BP1	BP0	Blocks	Addresses	Density	Portion
0	0	0	NONE	NONE	NONE	NONE
0	0	1	Sector 0 to 61	000000H-03DFFFH	248KB	Lower 62/64
0	1	0	Sector 0 to 59	000000H-03BFFFH	240KB	Lower 60/64
0	1	1	Sector 0 to 55	000000H-037FFFH	224KB	Lower 56/64
1	0	0	Sector 0 to 47	000000H-02FFFFH	192KB	Lower 48/64
1	0	1	Sector 0 to 31	000000H-01FFFFH	128KB	Lower 32/64
1	1	X	All	000000H-03FFFFH	256KB	ALL

4. COMMAND DESCRIPTION

All commands, addresses and data are shifted in and out of the device, beginning with the most significant bit on the first rising edge of SCLK after CS# is driven low. Then, the one-byte command code must be shifted into the device starting with the most significant bit on SI. Each bit is latched on the rising edge of SCLK.

The commands supported by ZD25WD20C are listed in Table-6. Every command sequence starts with a one-byte command code. Depending on the command, this might be followed by address or data bytes, by both or none. CS# must be driven high after the last bit of the command sequence has been completed. For the commands of Read, Fast Read, Read Status Register, Release from Deep Power-Down, and Read Device ID, the shifted-in command sequence is followed by a data-out sequence. All read commands can be completed after any bit of the data-out sequence is shifted out, and then CS# must be driven high to return to deselected status.

For the Page Program (02H), Sector Erase (20H), Half Block Erase (52H), Block Erase (D8H), Chip Erase (C7H or 60H), Write Status Register (01H), Write Enable (06H), Write Disable (04H) or Deep Power-Down (B9H) commands, CS# must be driven high exactly at a byte boundary, otherwise the command is rejected, and is not executed. That means CS# must be driven high when the number of clock pulses after CS# being driven low is an exact multiple of eight. For Page Program, if CS# is driven high at any time the input byte is not a full byte, nothing will happen and WEL will not be reset.

Table-6. Commands (Standard/Dual SPI)

Command Name	Byte 1	Byte 2	Byte 3	Byte 4	Byte 5	Byte 6	n-Bytes
Write Enable	06H						
Write Disable	04H						
Write Enable for Volatile Status Register	50H						
Read Status Register-1	05H	(S7-S0)					(continuous)
Write Status Register	01H	S7-S0					
Read Data Bytes	03H	A23-A16	A15-A8	A7-A0	(D7-D0)	(Next byte)	(continuous)
Read Data Bytes at Higher Speed	0BH	A23-A16	A15-A8	A7-A0	dummy	(D7-D0)	(continuous)
Dual Output Fast Read	3BH	A23-A16	A15-A8	A7-A0	dummy	(D7-D0) ⁽¹⁾	(continuous)
Dual I/O Fast Read	BBH	A23-A8 ⁽²⁾	A7-A0 M7-M0 ⁽²⁾	(D7-D0) ⁽¹⁾	(Next byte)	(Next byte)	(continuous)
Page Erase	81H	A23-A16	A15-A8	A7-A0			
Sector Erase	20H	A23-A16	A15-A8	A7-A0			
Half Block Erase	52H	A23-A16	A15-A8	A7-A0			
Block Erase	D8H	A23-A16	A15-A8	A7-A0			
Chip Erase	C7/60H						
Page Program	02H	A23-A16	A15-A8	A7-A0	D7-D0	Next byte	continuous
Deep Power-Down	B9H						
Release from Deep Power-Down	ABH						
Release from Deep Power-Down, Read Electronic Signature	ABH	dummy	dummy	dummy	(DID7-DID0)		(continuous)
Read Electronic Manufacturer ID & Device ID	90H	dummy	dummy	00H	(MID7- MID0)	(DID7- DID0)	(continuous)
Dual I/O Read Electronic Manufacturer ID & Device ID	92H	dummy	A7-A0, M7-M0	(MID7- MID0) (DID7- DID0)			(continuous)
Read Identification	9FH	(MID7- MID0)	(JDID15- JDID8)	(JDID7- JDID0)			(continuous)
Reset Enable	66H						
Reset	99H						
Read Unique ID	4BH	00H	00H	00H	dummy	(UID7- UID0)	(continuous)
Continuous Read Mode Reset	FFH						

Notes:
1. Dual Output data

IO0 = (D6, D4, D2, D0)

IO1 = (D7, D5, D3, D1)

2. Dual Input Address

IO0 = A22, A20, A18, A16, A14, A12, A10, A8, A6, A4, A2, A0, M6, M4, M2, M0

IO1 = A23, A21, A19, A17, A15, A13, A11, A9, A7, A5, A3, A1, M7, M5, M3, M1

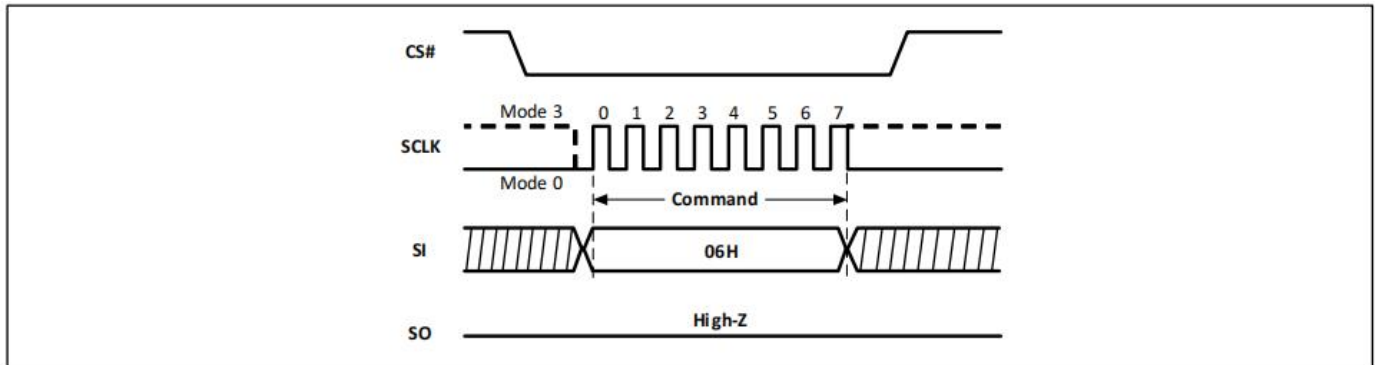
Tables of ID Definition:**Table-7. ZD25WD20C ID Definition**

Operation Code	MID7-MID0	ID15-ID8	ID7-ID0
9FH		40	12
90H/92H			11
ABH			11

4.1 Write Enable (WREN) (06H)

The Write Enable (06H) command sets the Write Enable Latch (WEL) bit. The WEL bit must be set prior to every Page Program, Page Erase, Sector Erase, Half Block Erase, Block Erase, Chip Erase, Write Status Register. The WREN command is entered by driving Chip Select (CS#) Low, sending the command code, and then driving CS# High.

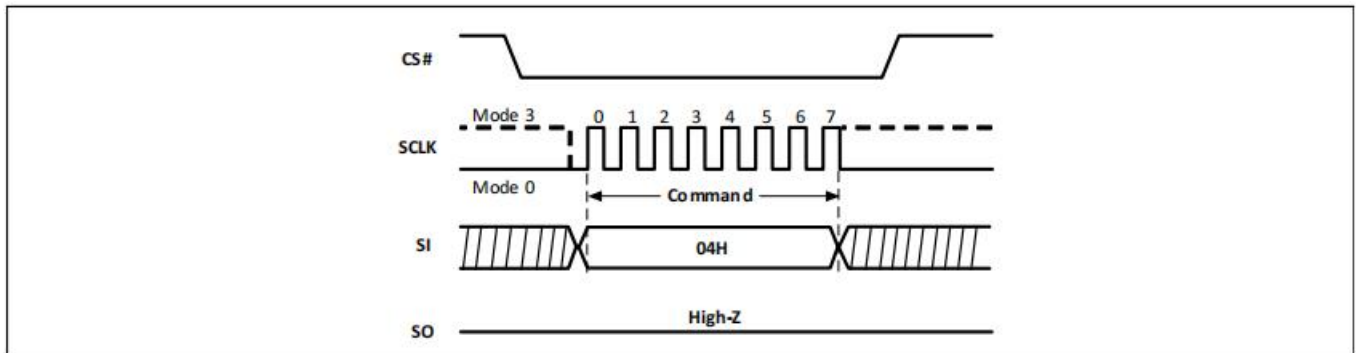
Figure-2. Write Enable Sequence Diagram



4.2 Write Disable (WRDI) (04H)

The Write Disable (04H) command resets the Write Enable Latch (WEL) bit in the Status Register to 0. The WRDI command is entered by driving Chip Select (CS#) low, shifting the command code “04h” into the SI pin and then driving CS# high. Note that the WEL bit is automatically reset after Power-up and upon completion of the Write Status Register, Page Program, Page Erase, Sector Erase, Half Block Erase, Block Erase, Chip Erase and Reset commands.

Figure-3. Write Disable Sequence Diagram

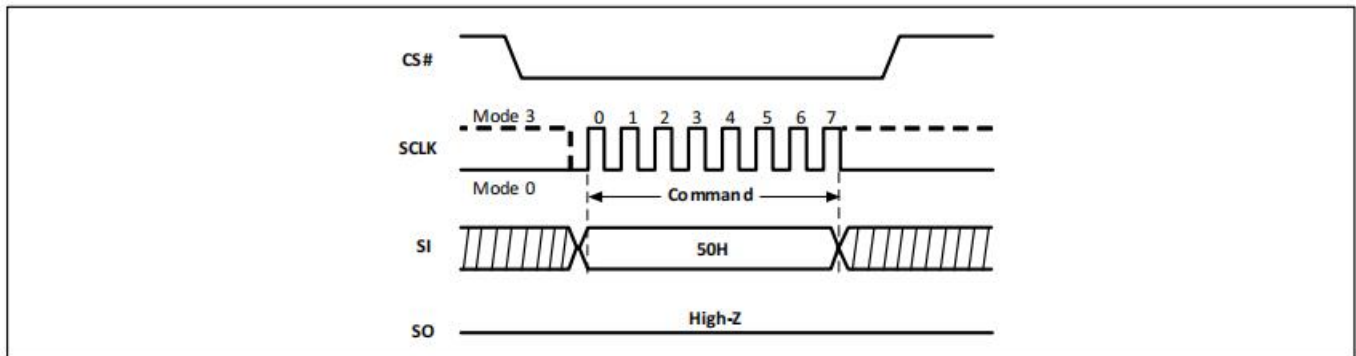


4.3 Write Enable for Volatile Status Register (50H)

The non-volatile Status Register bits can also be written to as volatile bits. During power up reset, the non-volatile Status Register bits are copied to a volatile version of the Status Register that is used during device operation. This provides more flexibility to change the system configuration and memory protection schemes quickly without waiting for the typical non-volatile bit write cycles or affecting the endurance of the Status Register non-volatile bits.

To write the volatile version of the Status Register bits, the Write Enable for Volatile Status Register (50H) command must be issued and immediately followed by the Write Status Register (01H) command. Write Enable for Volatile Status Register command (Figure-4) will not set the Write Enable Latch (WEL) bit, it is only valid for the next Write Status Register command, to change the volatile Status Register bit values.

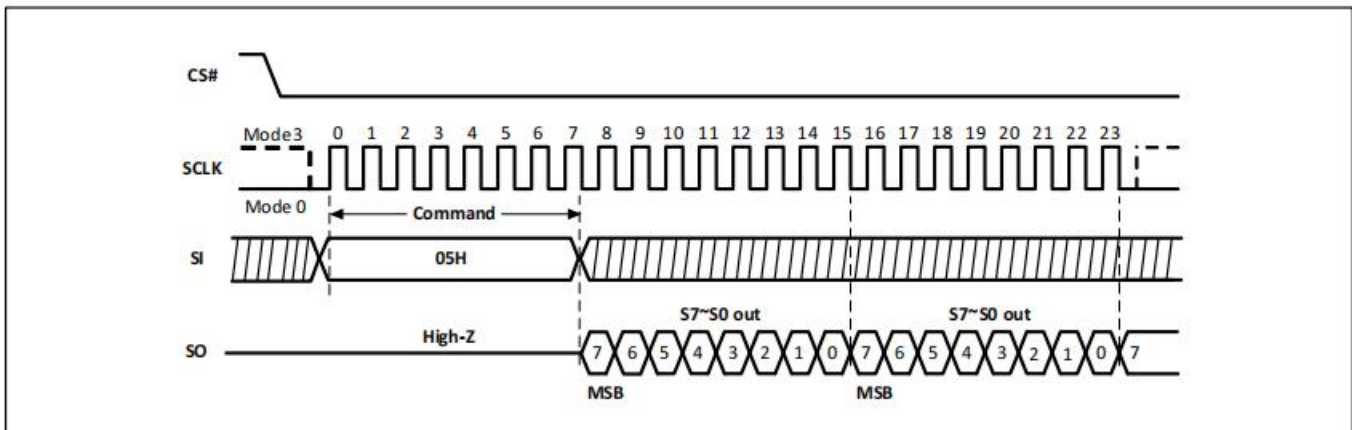
Figure-4. Write Enable for Volatile Status Register Sequence Diagram



4.4 Read Status Register (RDSR) (05H)

The Read Status Register (05H) command allows the Status Register to be read. The Status Register may be read at any time, even while a Program, Erase or Write Status Register cycle is in progress. When one of these cycles is in progress, it is recommended to check the Write In Progress (WIP) bit before sending a new command to the device. It is also possible to read the Status Register continuously. For command code “05H”, the SO will output Status Register bits S7~S0.

Figure-5. Read Status Register Sequence Diagram



4.5 Write Status Register (WRSR) (01H)

The Write Status Register (01H) command allows new values to be written to the Status Register. Before it can be accepted, a Write Enable (06H) command must previously have been executed. After the Write Enable command has been decoded and executed, the device sets the Write Enable Latch (WEL).

The WRSR command is entered by driving Chip Select (CS#) Low, followed by the command code and the data byte on Data Input (SI).

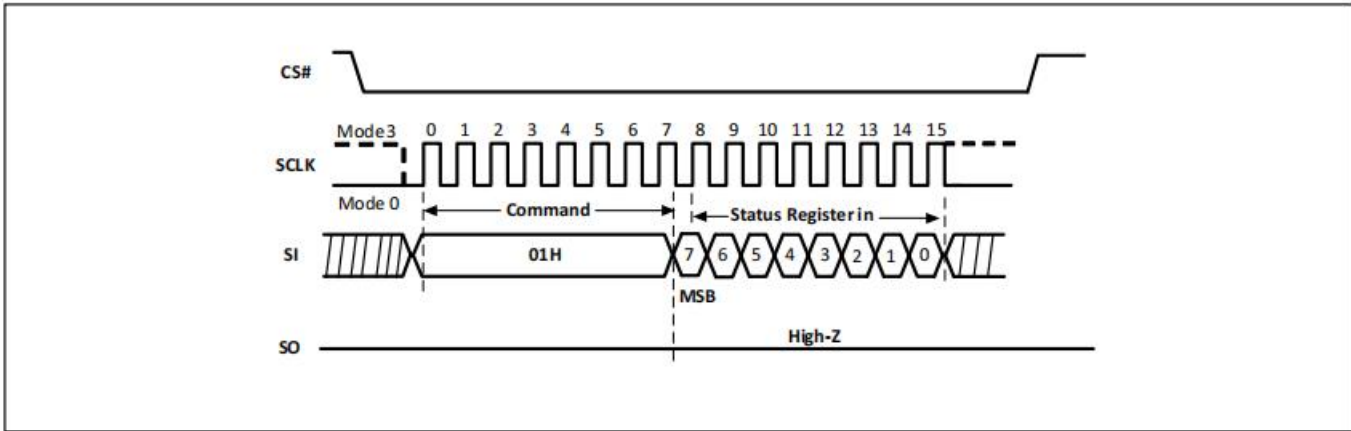
The WRSR command has no effect on S6, S1 and S0 of the Status Register. CS# must be driven high after the eighth bit of the data byte has been latched in. If not, the WRSR command is not executed. As soon as CS# is driven High, the self-timed Write Status Register cycle (whose duration is tW) is initiated. While the Write Status Register cycle is in progress, the Status Register may still be read to check the value of the Write In Progress (WIP) bit. The WIP bit is 1 during the self-timed Write Status Register cycle and is 0 when it is completed. When the cycle is completed, the WEL bit is reset.

The WRSR command allows the user to change the values of the Block Protect (BP2, BP1, BP0) bits.

CS# must go high exactly at the 8 bit data boundary; otherwise the command will be rejected and not executed. The self-timed Write Status Register cycle time (tW) is initiated as soon as CS# goes high. The

WIP bit still can be checked during the Write Status Register cycle is in progress. The WIP is set to 1 during tW and is reset to 0 along with the WEL bit when Write Status Register Cycle is completed.

Figure-6. Write Status Register Sequence Diagram



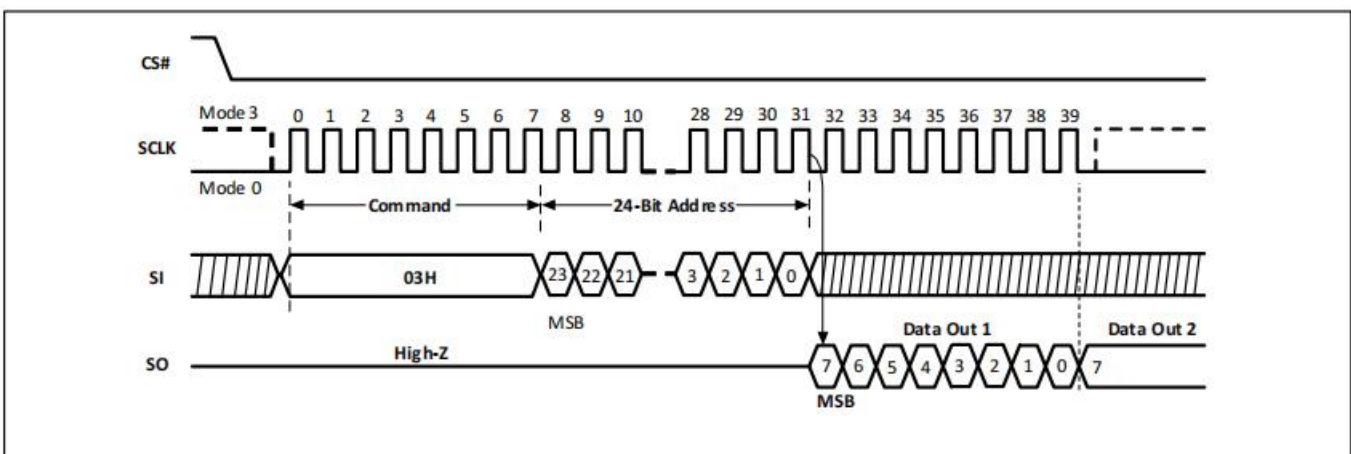
4.6 Read Data Bytes (READ) (03H)

The device is first selected by driving Chip Select (CS#) Low. The command code for the Read Data Bytes (03H) command is followed by a 3-byte address (A23-A0), with each bit latched-in on the rising edge of Serial Clock (SCLK). Then the memory contents, at that address, is shifted out on Data Output (SO), with each bit shifted out at a maximum frequency fR on the falling edge of SCLK.

The command sequence is shown in Figure-7. The first byte addressed can be at any location. The address is automatically incremented to the next higher address after each byte of data is shifted out. The whole memory can, therefore, be read with a single READ command. When the highest address is reached, the address counter rolls over to 000000h, allowing the read sequence to be continued indefinitely.

The READ command is terminated by driving CS# High. CS# can be driven High at any time during data output. Any READ command to the memory array, while an Erase, Program or Write cycle is in progress, is rejected without having any effects on the cycle that is in progress.

Figure-7. Read Data Bytes Sequence Diagram



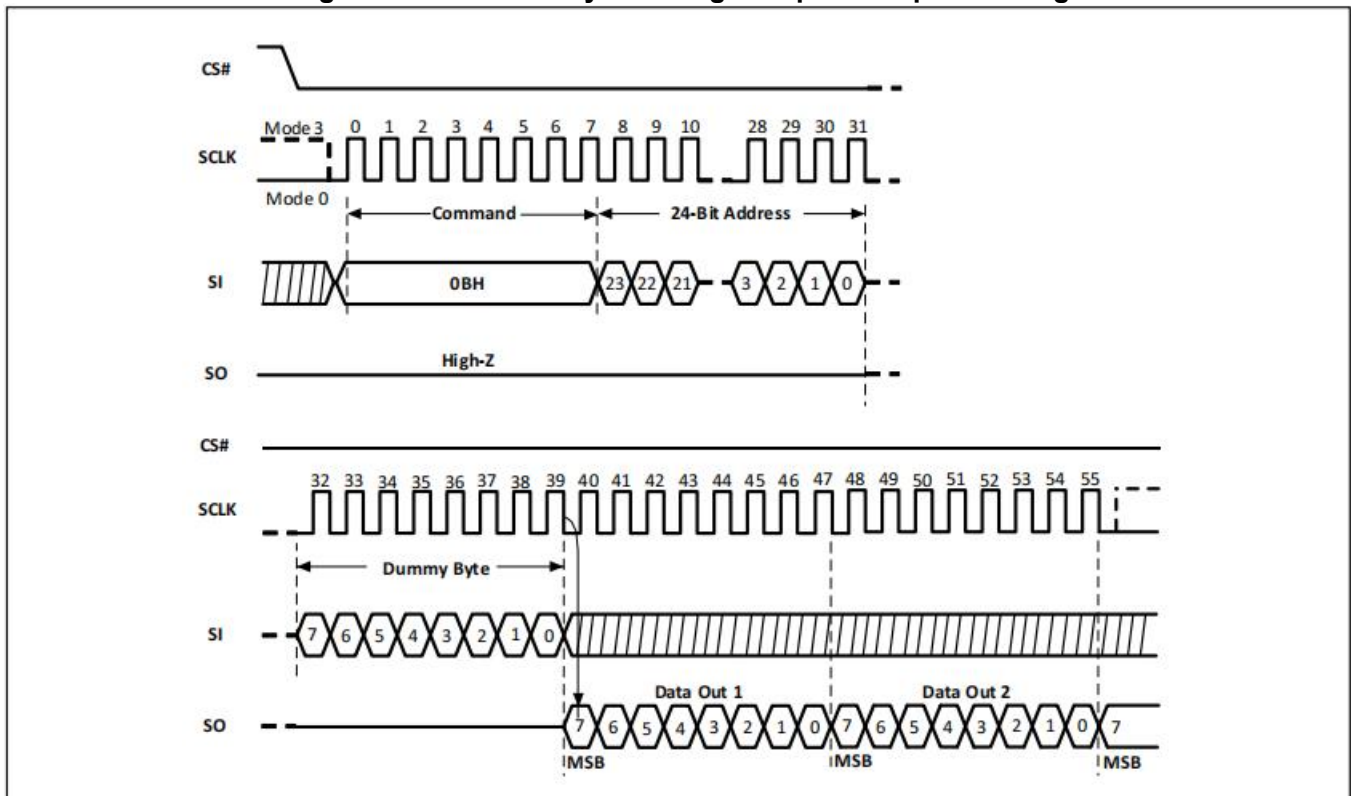
4.7 Read Data Bytes at Higher Speed (FAST_READ) (0BH)

The device is first selected by driving Chip Select (CS#) Low. The command code for the Read Data Bytes at Higher Speed (0BH) command is followed by a 3-byte address (A23-A0) and a dummy byte, each bit being latched-in on the rising edge of Serial Clock (SCLK). Then the memory contents, at that address, is shifted out on Data Output (SO), with each bit shifted out at a maximum frequency f_C on the falling edge of SCLK.

The command sequence is shown in Figure-8. The first byte addressed can be at any location. The address is automatically incremented to the next higher address after each byte of data is shifted out. The whole memory can, therefore, be read with a single FAST_READ command. When the highest address is reached, the address counter rolls over to 000000h, allowing the read sequence to be continued indefinitely.

The FAST_READ command is terminated by driving CS# High. CS# can be driven High at any time during data output. Any FAST_READ command, while an Erase, Program or Write cycle is in progress, is rejected without having any effects on the cycle that is in progress.

Figure-8. Read Data Bytes at Higher Speed Sequence Diagram



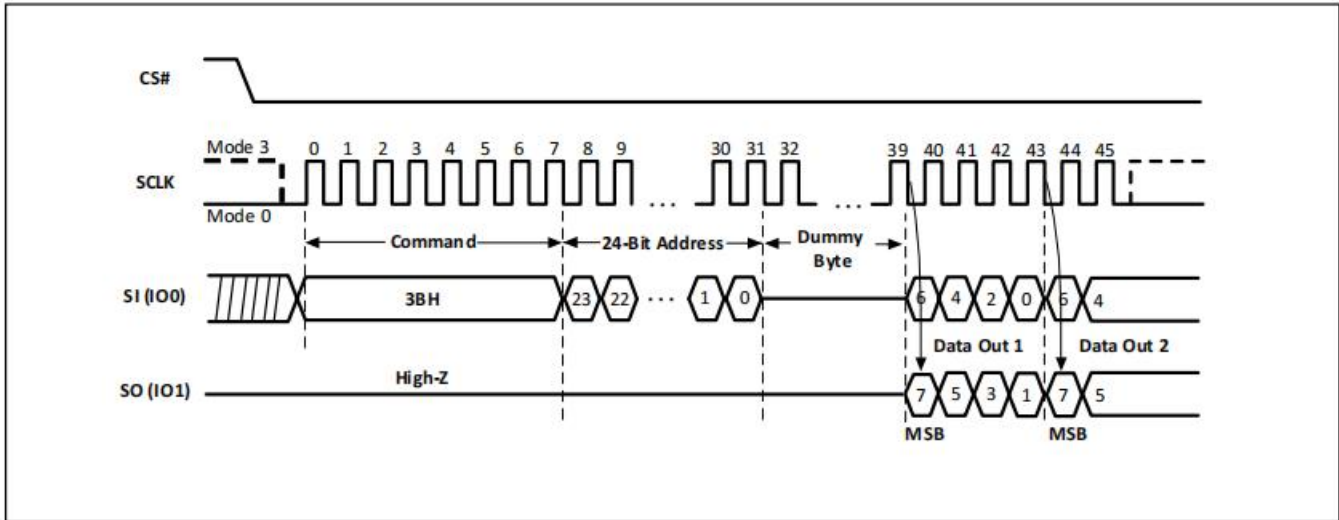
4.8 Dual Output Fast Read (DREAD) (3BH)

The Dual Output Fast Read (3BH) is similar to the standard Fast Read (0BH) command except that data is output on two pins, SI (IO0) and SO (IO1), instead of just SO. This allows data to be transferred from the ZD25WD20C at twice the rate of standard SPI devices. The DREAD command is ideal for quickly downloading code from the flash to RAM upon power-up or for applications that cache code-segments to RAM for execution.

Like the Fast Read command, the DREAD command can operate at the highest possible frequency of f_T . This is accomplished by adding eight “dummy clocks after the 24-bit address as shown in Figure-9. The dummy clocks allow the device’s internal circuits the time required for setting up the initial address. The input

data during the dummy clock is “don’t care”. However, the SI pin should be in a high-impedance state prior to the falling edge of SLCK for the first data out.

Figure-9. Dual Output Fast Read Sequence Diagram

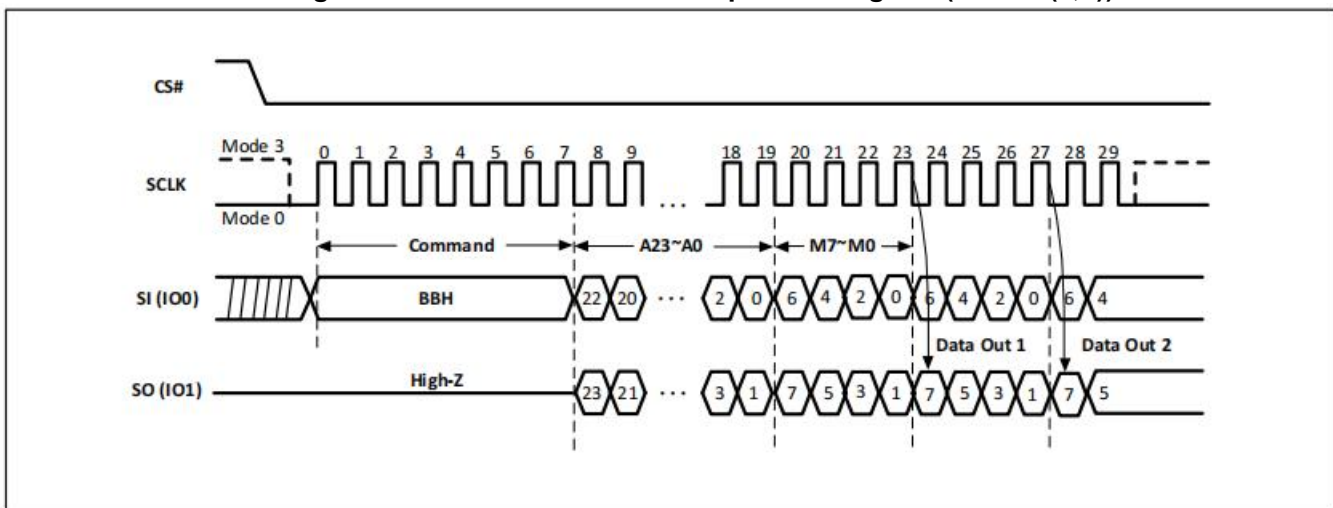


4.9 Dual I/O Fast Read (2READ) (BBH)

The Dual I/O Fast Read (BBH) command allows for improved random access while maintaining two IO pins, SI (IO0) and SO (IO1). It is similar to the Dual Output Fast Read (3BH) command but with the ability to input the address bits (A23-0) two bits per clock. This reduced command overhead may allow for code execution (XIP) directly from the Dual SPI in some applications.

The 2READ command enables double throughput of Serial Flash in read mode. The address is latched on rising edge of SCLK, and two bits of data (interleave 2 I/O pins) are shifted out on the falling edge of SCLK at a maximum frequency f_T . The first address can be at any location. The address is automatically increased to the next higher address after each byte data is shifted out, so the whole memory can be read out with a single 2READ command. The address counter rolls over to 0 when the highest address has been reached. The 2READ command is shown in Figure-10.

Figure-10. Dual I/O Fast Read Sequence Diagram (M5-4 ≠ (1,0))



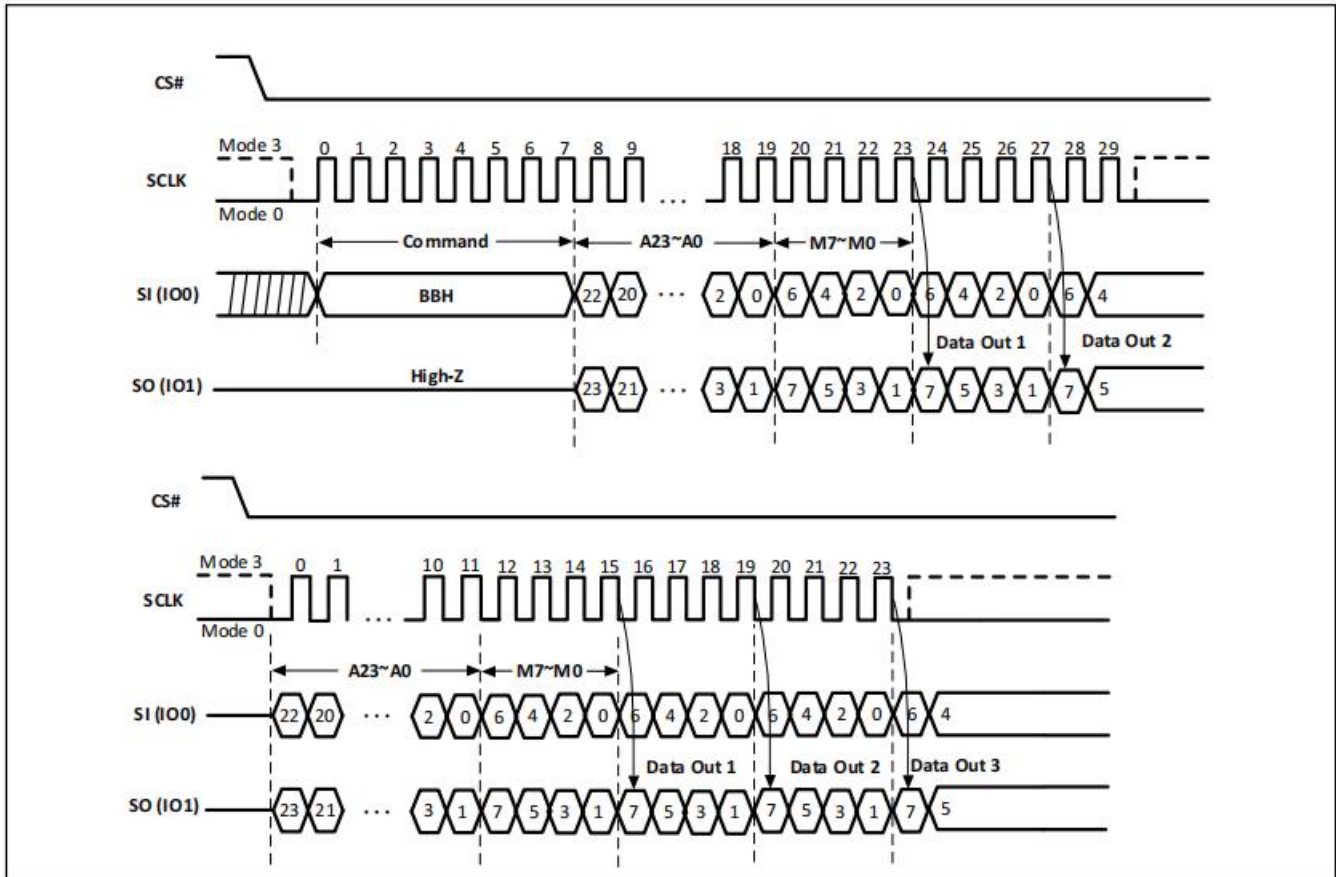
4.10 Dual I/O Fast Read with “Continuous Read Mode” (BBH)

The Dual I/O Fast Read (BBH) command supports Dual I/O Fast Read with “Continuous Read Mode” which can further reduce command overhead by setting the “Continuous Read Mode” bits (M7-0) after the

input 3-byte address (A23-A0). If the “Continuous Read Mode” bits (M5-4) = (1, 0), then the next Dual I/O Fast Read command (after CS# is raised and then lowered) does not require the BBH command code.

If the “Continuous Read Mode” bits (M5-4) do not equal (1, 0), the next command requires the first BBH command code, thus returning to normal operation. A “Continuous Read Mode” Reset command can be used to reset (M5-4) before issuing a normal command.

Figure-11. Dual I/O Fast Read with “Continuous Read Mode” Sequence Diagram (M5-4 = (1,0))



Note: Dual I/O Fast Read with “Continuous Read Mode”, if (M5-4)=(1,0). If not using “Continuous Read Mode” recommend setting (M5-4)≠(1,0).

4.11 Page Erase (PE) (81H)

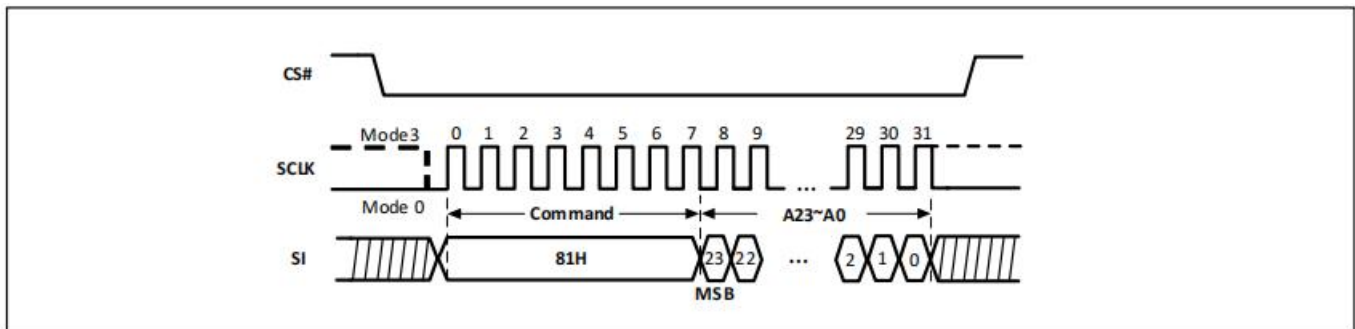
The Page Erase (81H) command sets all bits to 1 (FFh) inside the chosen page. Before it can be accepted, a Write Enable (06H) command must have previously been executed. After the Write Enable command has been decoded, the device sets the Write Enable Latch (WEL).

The PE command is entered by driving Chip Select (CS#) Low, followed by the command code, and three address bytes on Data Input (SI). Any address inside the page is a valid address for the PE command. CS# must be driven Low for the entire duration of the sequence.

The command sequence is shown in Figure-12. The CS# must go high exactly at the byte boundary (after the least significant bit of the third address byte is latched-in); otherwise, the command will be rejected and not executed. As soon as CS# is driven High, the self-timed Page Erase cycle (with duration tPE) is initiated. While the Page Erase cycle is in progress, the Status Register may be read to check the value of the Write In Progress (WIP) bit. The WIP bit is 1 during the self-timed Page Erase cycle and is 0 when it is completed. At some unspecified time before the cycle is completed, the WEL bit is reset.

A PE command may be applied only to a page which is not protected by the Block Protect (BP2, BP1, BP0) bits.

Figure-12. Page Erase Sequence Diagram



4.12 Sector Erase (SE) (20H)

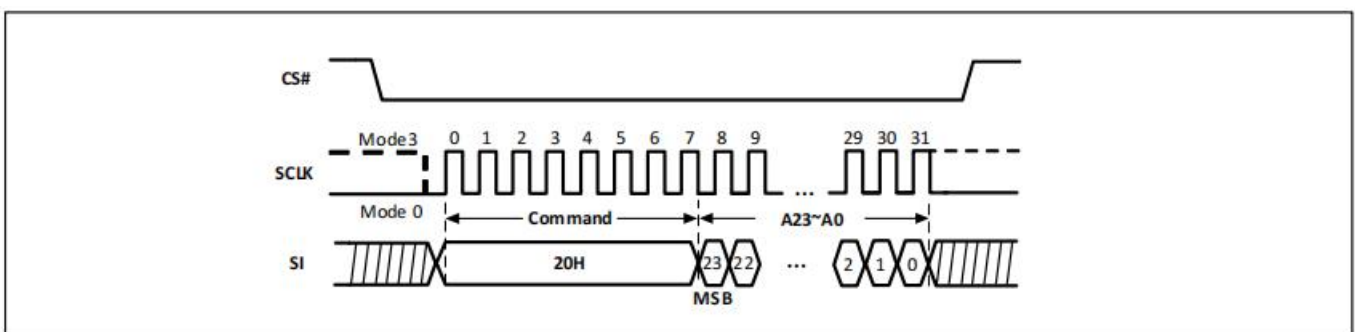
The Sector Erase (20H) command sets all bits to 1 (FFh) inside the chosen sector. Before it can be accepted, a Write Enable (06H) command must have previously been executed. After the Write Enable command has been decoded, the device sets the Write Enable Latch (WEL).

The SE command is entered by driving Chip Select (CS#) Low, followed by the command code, and three address bytes on Data Input (SI). Any address inside the sector is a valid address for the SE command. CS# must be driven Low for the entire duration of the sequence.

The command sequence is shown in Figure-13. The CS# must go high exactly at the byte boundary (after the least significant bit of the third address byte is latched-in); otherwise, the command will be rejected and not executed. As soon as CS# is driven High, the self-timed Sector Erase cycle (with duration tSE) is initiated. While the Sector Erase cycle is in progress, the Status Register may be read to check the value of the Write In Progress (WIP) bit. The WIP bit is 1 during the self-timed Sector Erase cycle and is 0 when it is completed. At some unspecified time before the cycle is completed, the WEL bit is reset.

A SE command may be applied only to a sector which is not protected by the Block Protect (BP2, BP1, BP0) bits.

Figure-13. Sector Erase Sequence Diagram



4.13 Half Block Erase (HBE) (52H)

The Half Block Erase (52H) command sets all bits to 1 (FFh) inside the chosen block. Before it can be accepted, a Write Enable (06H) command must have previously been executed. After the Write Enable command has been decoded, the device sets the Write Enable Latch (WEL).

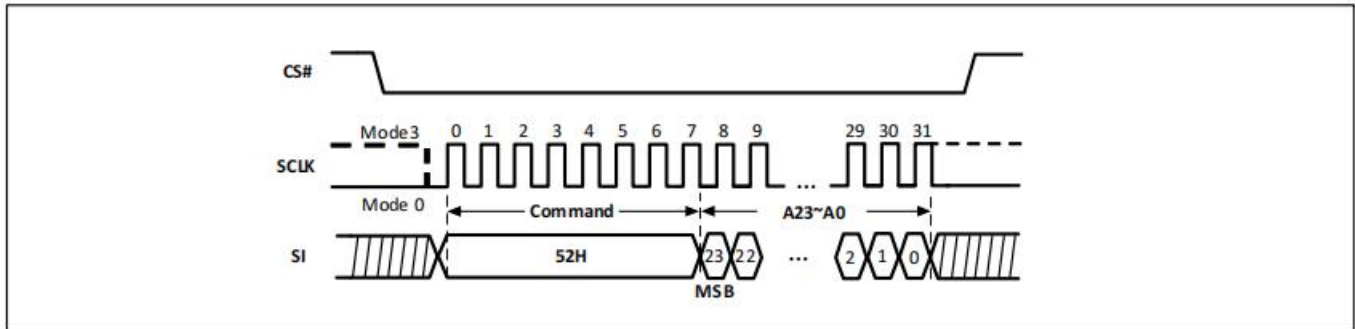
The HBE command is entered by driving Chip Select (CS#) Low, followed by the command code, and three address bytes on Data Input (SI). Any address inside the block is a valid address for the HBE command. CS# must be driven Low for the entire duration of the sequence.

The command sequence is shown in Figure-14. The CS# must go high exactly at the byte boundary (after the least significant bit of the third address byte is latched-in); otherwise, the command will be rejected

and not executed. As soon as CS# is driven High, the self-timed Half Block Erase cycle (with duration tBE1) is initiated. While the Half Block Erase cycle is in progress, the Status Register may be read to check the value of the Write In Progress (WIP) bit. The WIP bit is 1 during the self-timed Block Erase cycle and is 0 when it is completed. At some unspecified time before the cycle is completed, the WEL bit is reset.

A HBE command may be applied only to a half block which is not protected by the Block Protect (BP2, BP1, BP0) bits.

Figure-14. Half Block Erase Sequence Diagram



4.14 Block Erase (BE) (D8H)

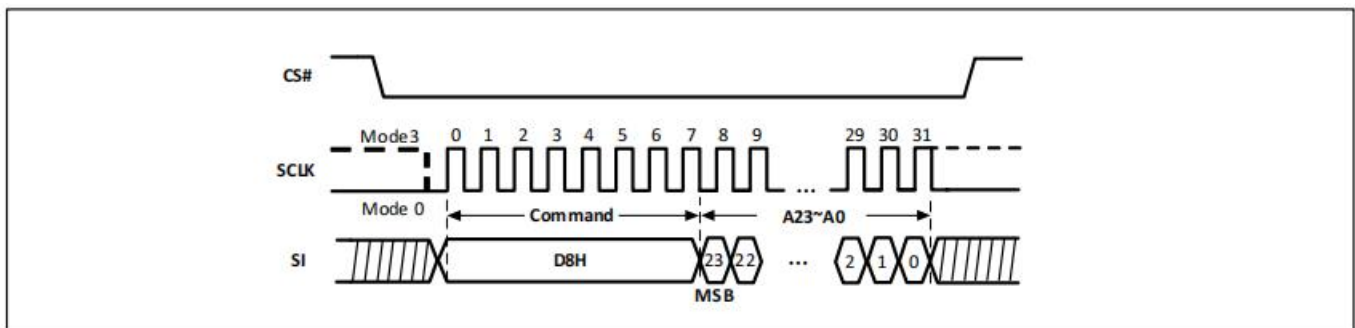
The Block Erase (D8H) command sets all bits to 1 (FFh) inside the chosen block. Before it can be accepted, a Write Enable (06H) command must have previously been executed. After the Write Enable 06H command has been decoded, the device sets the Write Enable Latch (WEL).

The BE command is entered by driving Chip Select (CS#) Low, followed by the command code, and three address bytes on Data Input (SI). Any address inside the block is a valid address for the BE command. CS# must be driven Low for the entire duration of the sequence.

The command sequence is shown in Figure-15. CS# must be driven High after the least significant bit of the third address byte is latched in, otherwise the BE command is not executed. As soon as CS# is driven High, the self-timed Block Erase cycle (whose duration is tBE2) is initiated. While the Block Erase cycle is in progress, the Status Register may be read to check the value of the Write In Progress (WIP) bit. The WIP bit is 1 during the self-timed Block Erase cycle and is 0 when it is completed. At some unspecified time before the cycle is completed, the WEL bit is reset.

A BE command may be applied only to a block which is not protected by the Block Protect (BP2, BP1, BP0) bits.

Figure-15. Block Erase Sequence Diagram



4.15 Chip Erase (CE) (60H or C7H)

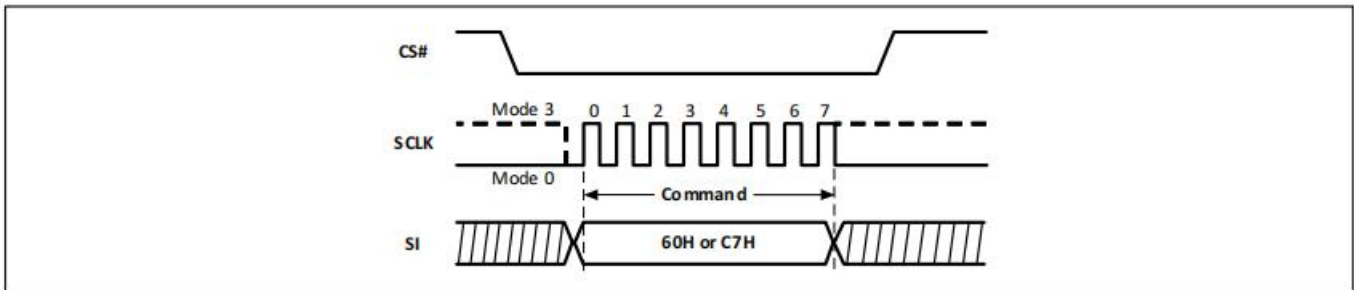
The Chip Erase (60H or C7H) command sets all bits to 1 (FFh). Before it can be accepted, a Write Enable (06H) command must have previously been executed. After the Write Enable command has been decoded, the device sets the Write Enable Latch (WEL).

The CE command is entered by driving Chip Select (CS#) Low, followed by the command code on Data Input (SI). CS# must be driven Low for the entire duration of the sequence.

The command sequence is shown in Figure-16. CS# must be driven High after the eighth bit of the command code is latched in, otherwise the CE command is not executed. As soon as CS# is driven High, the self-timed Chip Erase cycle (with duration tCE) is initiated. While the Chip Erase cycle is in progress, the Status Register may be read to check the value of the Write In Progress (WIP) bit. The WIP bit is 1 during the self-timed Chip Erase cycle and is 0 when it is completed. At some unspecified time before the cycle is completed, the WEL bit is reset.

The CE command is executed only if all Block Protect (BP2, BP1, BP0) bits are 0. The CE command is ignored if one, or more blocks are protected.

Figure-16. Chip Erase Sequence Diagram



4.16 Page Program (PP) (02H)

The Page Program (02H) command allows bytes to be programmed in the memory. Before it can be accepted, a Write Enable (06H) command must have previously been executed. After the Write Enable command has been decoded, the device sets the Write Enable Latch (WEL).

The PP command is entered by driving Chip Select (CS#) Low, followed by the command code, three address bytes and at least one data byte on Data Input (SI). If the 8 least significant address bits (A7-A0) are not all zero, all transmitted data that goes beyond the end of the current page are programmed from the starting address of the same page (from the address whose 8 least significant bits (A7-A0) are all zero). CS# must be driven Low for the entire duration of the sequence.

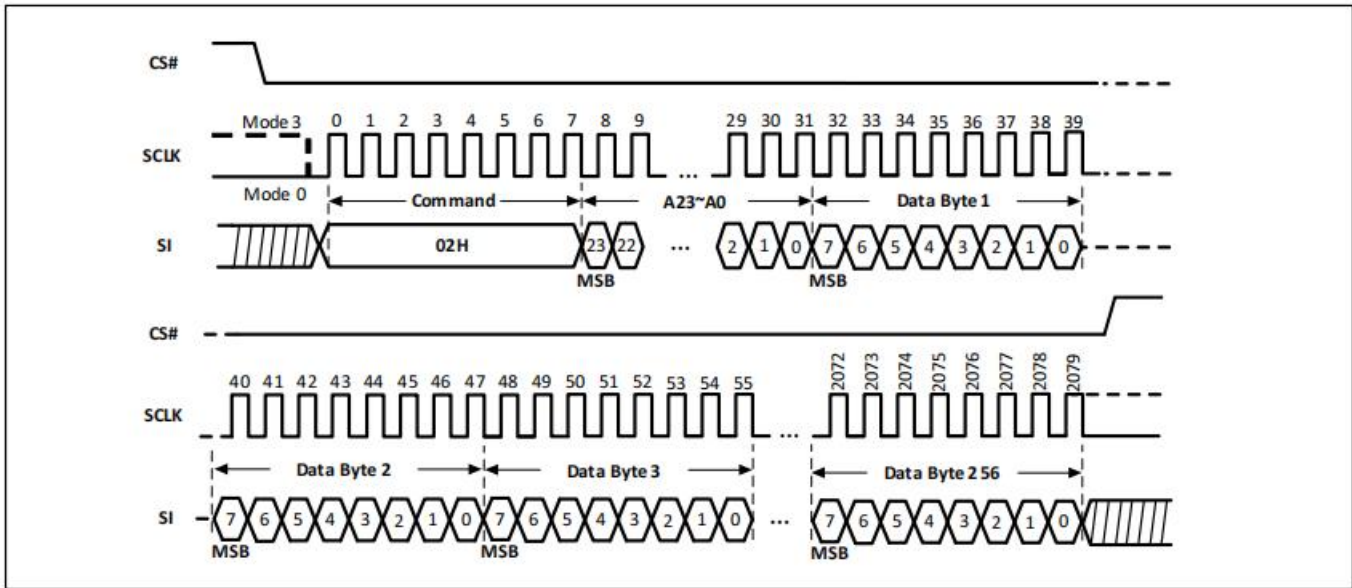
The command sequence is shown in Figure-17. If more than 256 bytes are sent to the device, previously latched data are discarded, and the last 256 data bytes are guaranteed to be programmed correctly within the same page. If less than 256 Data bytes are sent to device, they are correctly programmed at the requested addresses without having any effects on the other bytes of the same page.

CS# must be driven High after the eighth bit of the last data byte has been latched in, otherwise the PP command is not executed.

As soon as CS# is driven High, the self-timed Page Program cycle (with duration tPP) is initiated. While the Page Program cycle is in progress, the Status Register may be read to check the value of the WIP bit. The WIP bit is 1 during the self-timed Page Program cycle and is 0 when it is completed. At some unspecified time before the cycle is completed, the WEL bit is reset.

A PP command may be applied only to a page which is not protected by the Block Protect (BP2, BP1, BP0) bits.

Figure-17. Page Program Sequence Diagram



4.17 Deep Power-Down (DP) (B9H)

Executing the Deep Power-Down (B9H) command is the only way to place the device in the lowest power consumption mode (the Deep Power-Down mode). It can also be used as an extra software protection mechanisms the device is not in active use, all Write, Program and Erase commands are ignored.

Driving Chip Select (CS#) High deselects the device and puts the device in the Standby mode (if there is no internal cycle currently in progress). However, Standby mode is not the Deep Power-Down mode. The Deep Power-Down mode can only be entered by executing the DP command, to reduce the standby current (from ISB1 to ISB2).

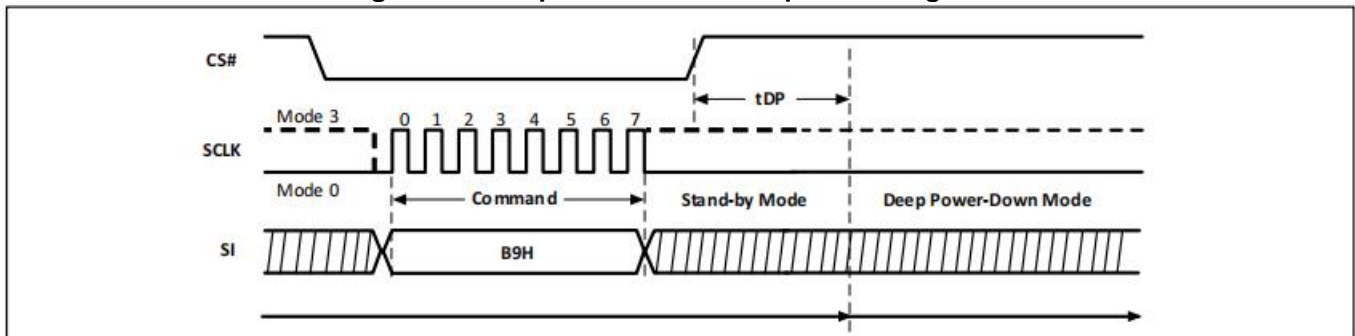
Once the device has entered the Deep Power-Down mode, all commands are ignored except the Release from Deep Power-Down, Read Electronic Signature (ABH) command. This command releases the device from this mode and also outputs the Device ID on Data Output (SO).

The Deep Power-Down mode automatically stops at Power-Down, and the device always Powers-up in the Standby mode. The DP command is entered by driving CS# Low, followed by the command code on Data Input (SI). CS# must be driven Low for the entire duration of the sequence.

The command sequence is shown in Figure-21. CS# must be driven High after the eighth bit of the command code has been latched in, otherwise the Deep Power-Down (B9H) command is not executed. As soon as CS# is driven High, a delay of tDP occurs before the supply current is reduced to ISB2 and the Deep Power-Down mode is entered.

Any DP command, while an Erase, Program or Write cycle is in progress, is rejected without having any effects on the cycle that is in progress.

Figure-18. Deep Power-Down Sequence Diagram



4.18 Release from Deep Power-Down (RDP), Read Electronic Signature (RES) (ABH)

Once the device has entered the Deep Power-Down mode, all commands are ignored except the Release from Deep Power-Down, Read Electronic Signature (ABH) command. Executing this command takes the device out of the Deep Power-Down mode.

Please note that this is not the same as or even a subset of, the JEDEC 16-bit Electronic Signature that is read by the Read Identification (9FH) command. The old-style Electronic Signature is supported for reasons of backward compatibility, only, and should not be used for new designs. New designs should, instead, make use of the JEDEC 16-bit Electronic Signature, and the Read Identification command.

When used only to release the device from the power-down state, the command is issued by driving the Chip Select (CS#) pin low, shifting the command code "ABH" and driving CS# high as shown in Figure-22. After the time duration of t_{RES1} the device will resume normal operation and other commands will be accepted. The CS# pin must remain high during the t_{RES1} time duration.

When used only to obtain the Device ID while not in the power-down state, the command is initiated by driving the CS# pin low and shifting the command code "ABH" followed by 3-dummy bytes. The Device ID bits are then shifted out on the falling edge of SCLK with the most significant bit (MSB) first as shown in Figure-23. The Device ID values are listed in "Tables of ID Definition" (Table-7.X). The Device ID can be read continuously. The command is completed by driving CS# high.

When CS# is driven High, the device is put in the Stand-by Power mode. If the device was not previously in the Deep Power-Down mode, the transition to the Stand-by Power mode is immediate. If the device was previously in the Deep Power-Down mode, though, the transition to the Stand-by Power mode is delayed by t_{RES2} , and CS# must remain High for at least t_{RES2} (max). Once in the Stand-by Power mode, the device waits to be selected, so that it can receive, decode and execute commands.

Except while an Erase, Program or Write Status Register cycle is in progress, the RDP, RES command always provides access to the 8-bit Device ID of the device and can be applied even if the Deep Power-Down mode has not been entered.

Any RDP, RES command issued to the device while an Erase, Program or Write Status Register cycle is in progress, is not decoded, and has no effect on the cycle that is in progress.

Figure-19. Release from Deep Power-Down (RDP) Sequence Diagram

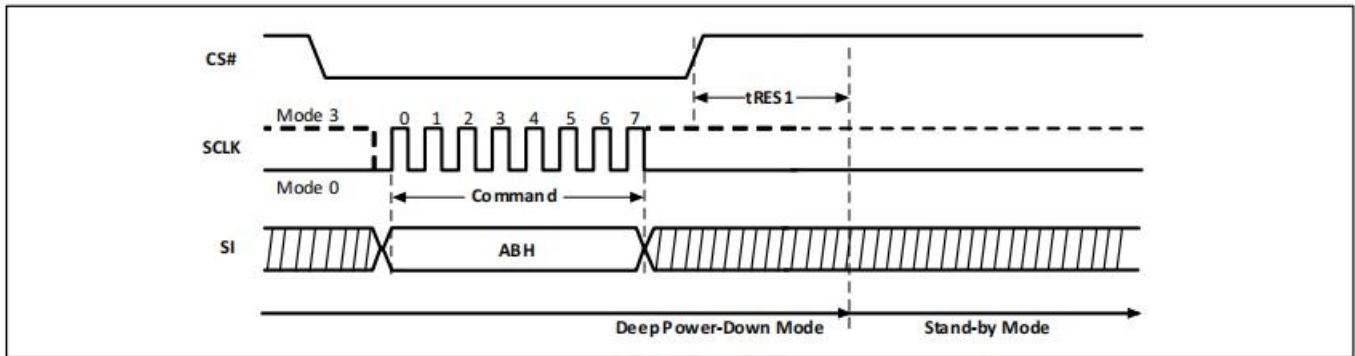
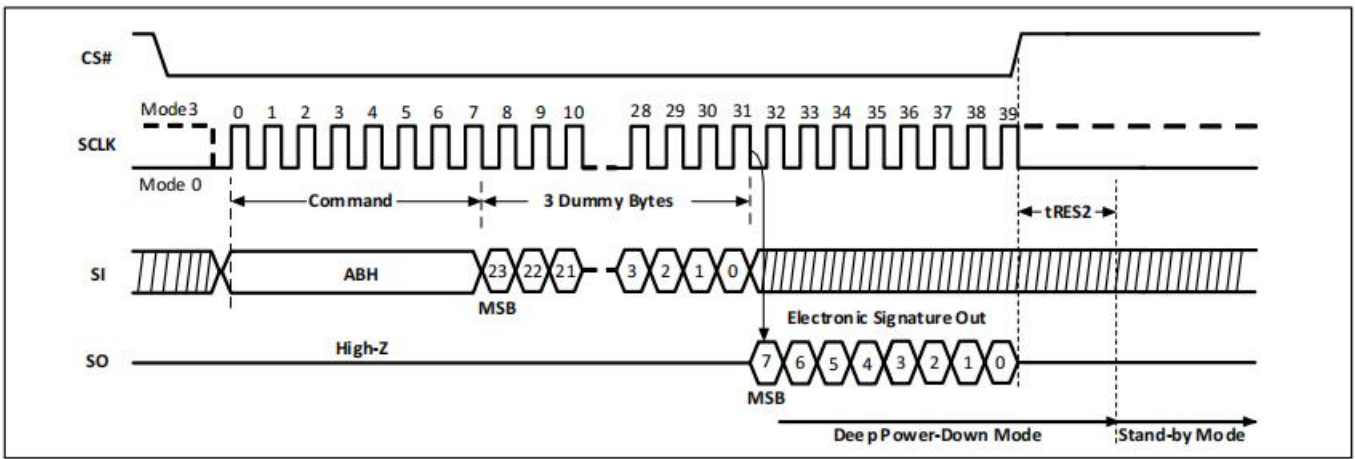


Figure-20. Read Electronic Signature (RES) Sequence Diagram

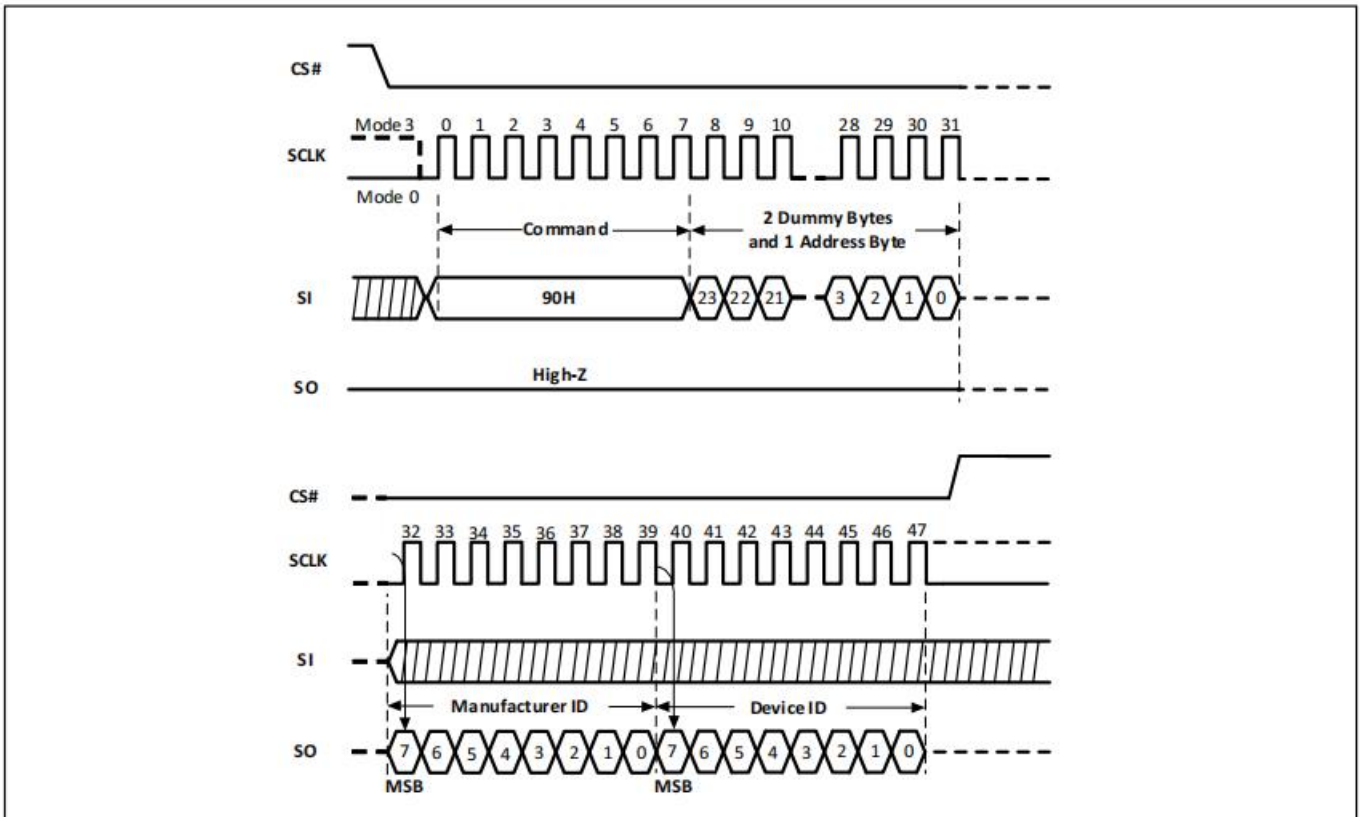


4.19 Read Electronic Manufacturer ID & Device ID (REMS) (90H)

The Read Electronic Manufacturer & Device ID (90H) command provides both the JEDEC assigned Manufacturer ID and the specific Device ID.

The REMS command is initiated by driving the CS# pin low and shifting the command code “90H” followed by two dummy bytes and one address byte (A7~A0). After which, the Manufacturer ID and the Device ID are shifted out on the falling edge of SCLK with the most significant bit (MSB) first as shown in Figure-24. The Device ID values are listed in "Tables of ID Definition" (Table-7.X). If the address byte is 00h, the manufacturer ID will be output first, followed by the device ID. If the address byte is 01h, then the device ID will be output first, followed by the manufacturer ID. While CS# is low, the Manufacturer and Device IDs can be read continuously, alternating from one to the other. The command is completed by driving CS# high.

Figure-21. Read Electronic Manufacturer ID & Device ID Sequence Diagram

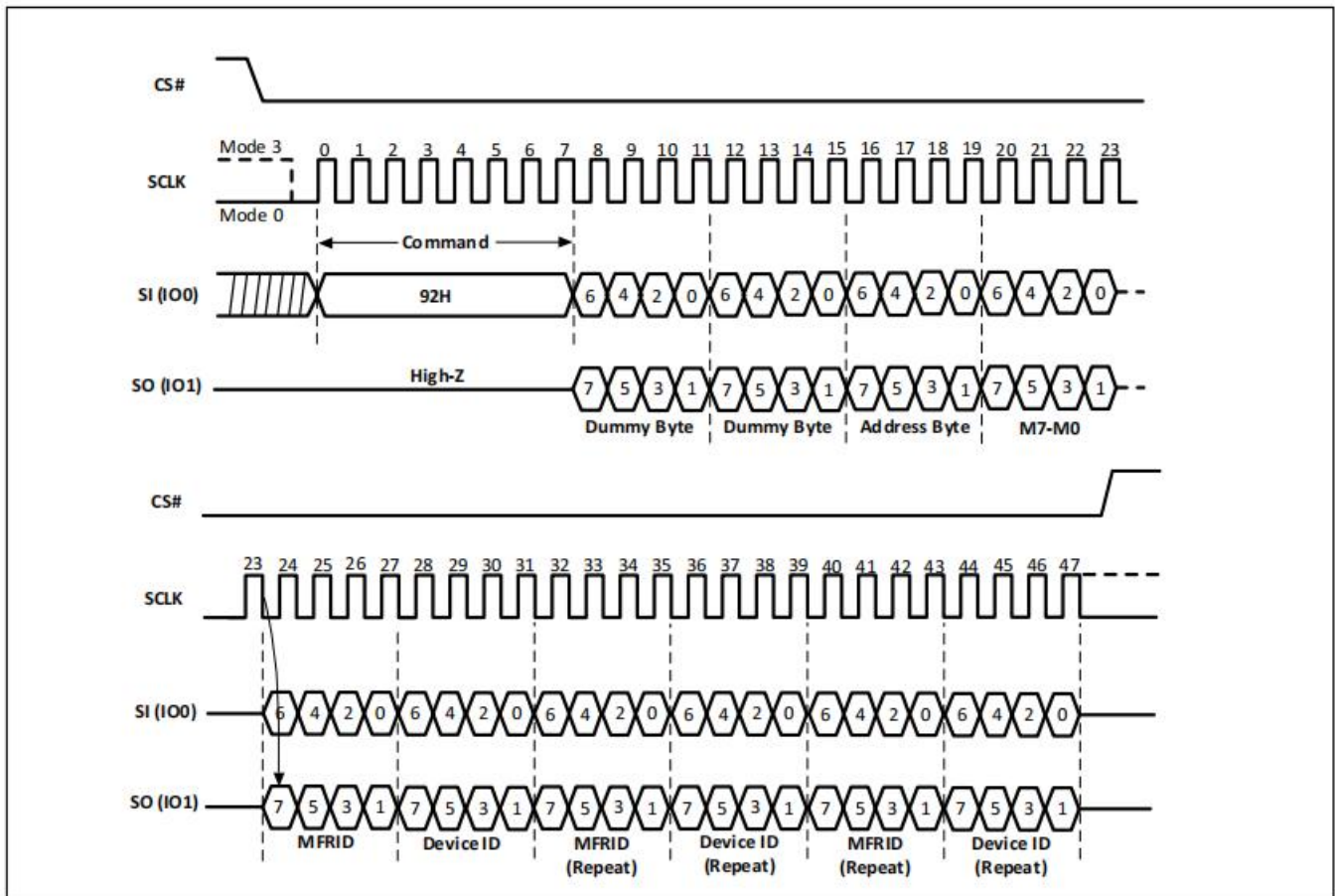


4.20 Dual I/O Read Electronic Manufacturer ID & Device ID (DREMS) (92H)

The Dual I/O Read Electronic Manufacturer ID & Device ID (92H) command is similar to the Read Electronic Manufacturer & Device ID (90H) command and returns the JEDEC assigned Manufacturer ID which uses two pins: IO0, IO1 as address input and ID output I/O.

The DREMS command is initiated by driving the CS# pin low and shifting the DREMS command code "92h" followed by two dummy bytes, one address byte (A7~A0) and one byte of 'Continuous Read Mode' Bits. After which, the Manufacturer ID and the Device ID are shifted out on the falling edge of SCLK with the most significant bit (MSB) first. If the one-byte address is initially set to 01h, then the device ID will be read first and followed by the Manufacturer ID. The Manufacturer and Device IDs can be read continuously, alternating from one to the other. The DREMS command is completed by driving CS# high.

Figure-22. Dual I/O Read Electronic Manufacturer ID & Device ID Sequence Diagram



Note: The “Continuous Read Mode” bits (M5-4) must be set to (1,0) to be compatible with Dual I/O Fast Read command.

4.21 Read Identification (RDID) (9FH)

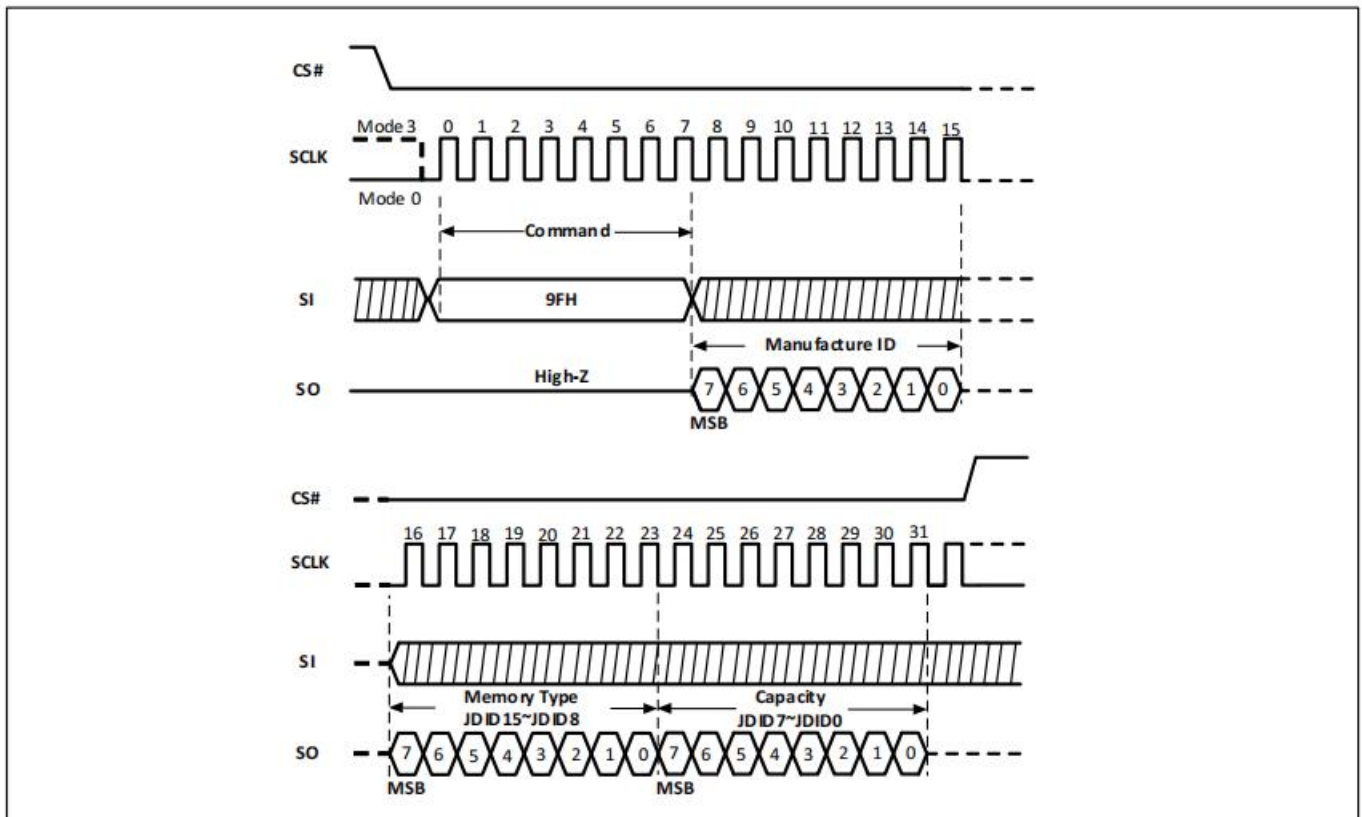
The Read Identification (9FH) command allows the 8-bit Manufacturer ID to be read, followed by two bytes of Device ID. The Device ID indicates the memory type in the first byte, and the memory capacity of the device in the second byte. The ZETTA Manufacturer ID and Device ID are list as "Tables of ID Definition" (Table-7.X).

Any RDID command issued while an Erase or Program cycle is in progress, is not decoded, and has no effect on the cycle that is in progress. The RDID command should not be issued while the device is in Deep Power down mode.

The device is first selected by driving the CS# Low. Then the 8-bit command code for the command is shifted in. This is followed by the 24-bit device identification stored in the memory, shifted out on the SO pin on the falling edge of SCLK. The command sequence is shown in Figure-26. The RDID command is terminated by driving CS# High at any time during data output.

When CS# is driven High, the device is placed in the standby mode. Once in the standby stage, the device waits to be selected, so that it can receive, decode and execute commands.

Figure-23. Read Identification Sequence Diagram

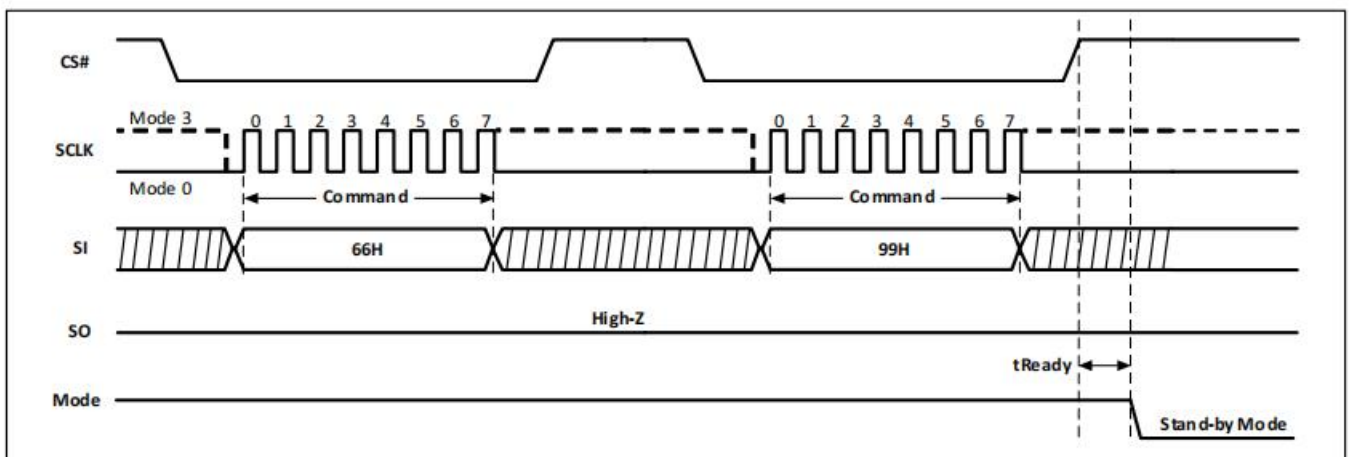


4.22 Reset Enable (RSTEN) (66H) and Reset (RST) (99H)

The Software Reset operation combines two commands: Reset Enable (66H) command and Reset (99H) command. It returns the device to standby mode. All the volatile bits and settings will be cleared which returns the device to the same default status as power on. The Reset command immediately following a Reset Enable command, initiates the Software Reset process. Any command other than Reset following the Reset Enable command, will clear the reset enable condition and prevent a later Reset command from being recognized.

If the Reset command is executed during a program or erase operation, the operation will be disabled and the data under processing could be damaged or lost.

Figure-24. Reset Enable and Reset Sequence Diagram

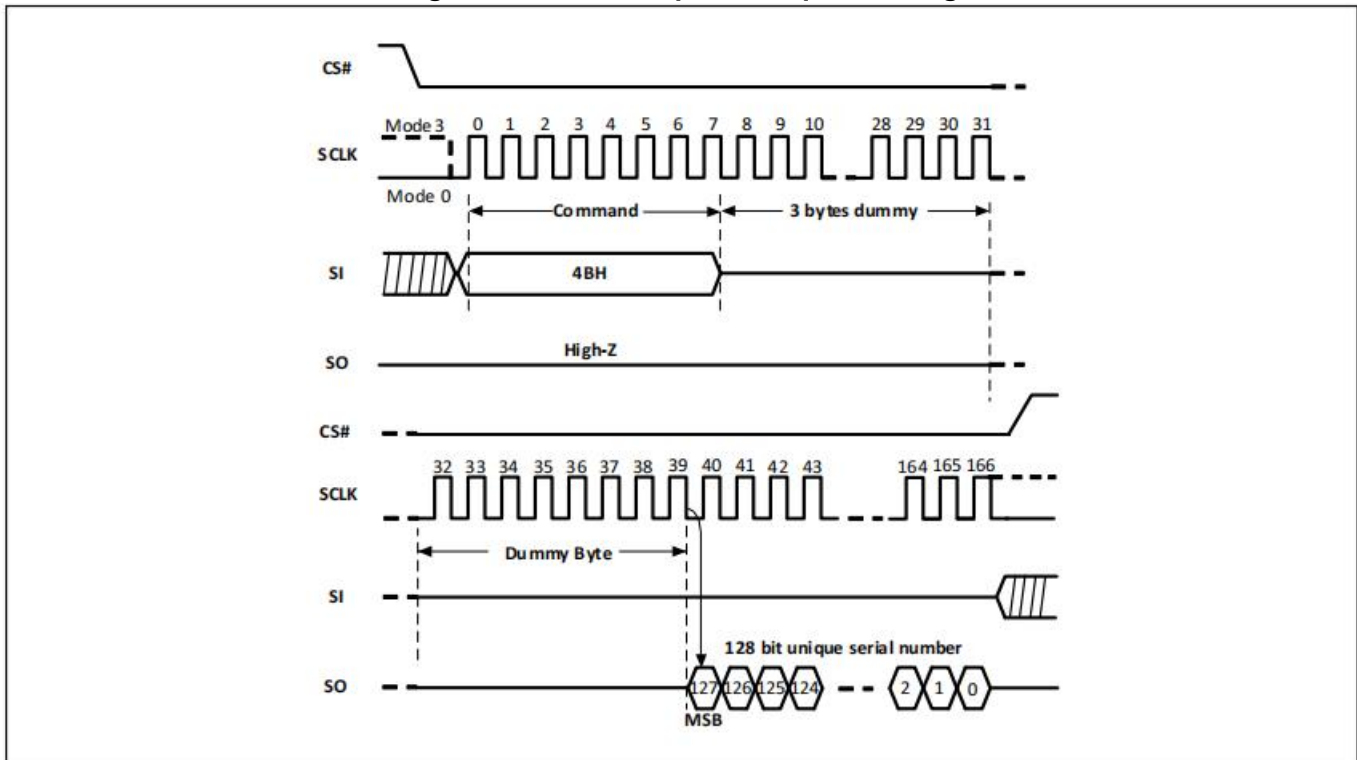


4.23 Read Unique ID (RUID) (4BH)

The Read Unique ID (4BH) command accesses a factory-set read-only 128-bits number that is unique to each ZD25WD20C device. The ID number can be used in conjunction with user software methods to help prevent copying or cloning of a system.

The RUID command is initiated by driving the CS# pin low and shifting the command code “4BH” followed by four dummy bytes. Then, the 128-bits ID is shifted out on the falling edge of SCLK as shown in Figure-28.

Figure-25. Read Unique ID Sequence Diagram



5. ELECTRICAL SPECIFICATIONS

5.1 POWER-ON TIMING

Figure-26. Power-On Timing Sequence Diagram

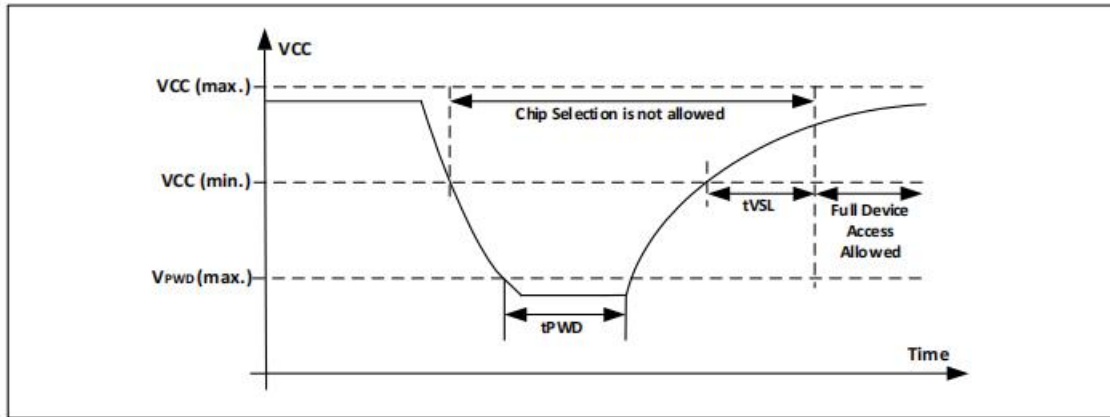


Table-9 Power-Up Timing and Write Inhibit Threshold

Sym.	Parameter	Min.	Max.	Unit
tVSL	VCC(min.) to device operation	0.3		ms
VWI	Write Inhibit Voltage	1	1.55	V
VPWD	VCC voltage needed to below VPWD for ensuring initialization will occur		1.0	V
tPWD	The minimum duration for ensuring initialization will occur	300		us

5.2 INITIAL DELIVERY STATE

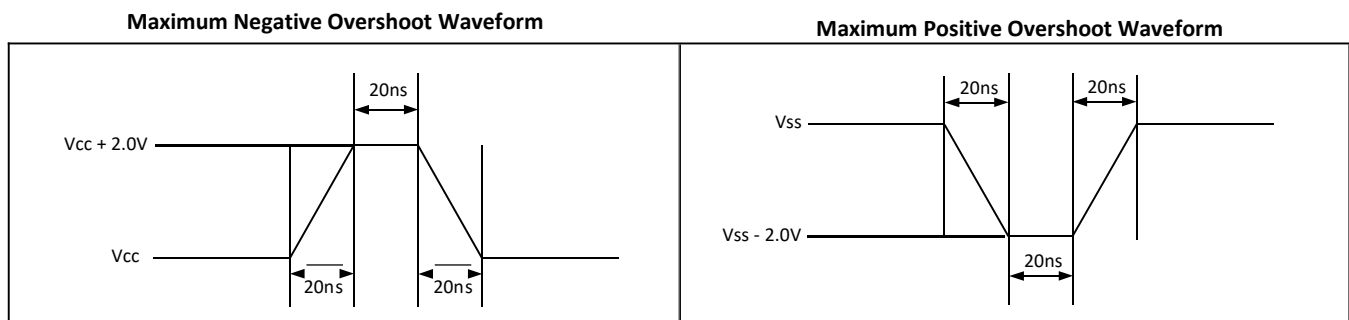
The device is delivered with the memory array erased: all bits are set to 1(each byte contains FFH).The Status Register contains 00H (all Status Register bits are 0).

5.3 ABSOLUTE MAXIMUM RATINGS

Table-10 Absolute Maximum Ratings

Parameter	Value	Unit
Ambient Operating Temperature	-40 to 85	°C
Storage Temperature	-65 to 150	°C
Applied Input / Output Voltage	-0.6 to VCC+0.4	V
Transient Input / Output Voltage(note: overshoot)	-2.0 to VCC+2.0	V
VCC	-0.6 to 4.2	V

Figure-30. Maximum Negative/positive Overshoot Diagram



5.4 AC MEASUREMENT CONDITIONS
Table-11. AC Measurement Conditions

Sym.	Parameter	Min.	Typ.	Max	Unit	Conditions
CIN	Input Capacitance			6	pF	VIN = 0V
COUT	Output Capacitance			8	pF	VOUT = 0V
CL	Load Capacitance	30			pF	
	Input			5	ns	
	Input Pulse Voltage	0.1VCC to 0.8VCC			V	
	Input Timing Reference Voltage	0.2VCC to 0.7VCC			V	
	Output Timing Reference Voltage	0.5VCC				

5.5 DC CHARACTERISTICS
Table-12. DC Parameters (Ta=-40°C to +85°C)

Symbol	Parameter	Conditions	1.65V to 3.6V			2.3V to 3.6V			Units
			Min.	Typ.	Max.	Min.	Typ.	Max.	
IDPD	Deep power down current	CS#=Vcc, all other inputs at 0V or Vcc		0.3	3.5		0.3	3.5	uA
ISB	Standby current	CS#=Vcc, all other inputs at 0V or Vcc		0.5	3.5		0.8	3.5	uA
ICC1	Low power read current (03h)	f=1MHz; IOU=0mA		1.0	1.5		1.0	1.5	mA
		f=33MHz; IOU=0mA		1.3	2.0		1.6	2.0	mA
ICC2	Read current (0Bh)	f=50MHz; IOU=0mA		1.8	4.0		2.2	4.0	mA
		f=85MHz; IOU=0mA		2.0	4.5		2.5	4.5	mA
ICC3	Program current	CS#=Vcc		3.2	5.5		4.0	5.5	mA
ICC4	Erase current	CS#=Vcc		3.0	5.0		4.0	5.0	mA
ILI	Input load current	All inputs at CMOS level			1.0			1.0	uA
ILO	Output leakage	All inputs at CMOS level			1.0			1.0	uA
VIL	Input low voltage				0.2Vcc			0.2Vcc	V
VIH	Input high voltage		0.8Vcc			0.8Vcc			V
VOL	Output low voltage	IOL=100uA			0.2			0.2	V
VOH	Output high voltage	IOH=-100uA	Vcc-0.2			Vcc-0.2			V

Note:

1. Typical values measured at 1.8V @ 25°C for the 1.65V to 3.6V range.
2. Typical values measured at 3.0V @ 25°C for the 2.3V to 3.6V range.

5.6 AC CHARACTERISTICS
Table-13. AC Parameters (Ta=-40°C to +85°C)

Symbol	Alt.	Parameter	1.65V~3.6V			2.3V~3.6V			Unit
			min.	typ	max.	min	typ	max	
fclk	fC	Clock Frequency for the following instructions: FAST_READ, PP, SE, BE32K, BE, CE, DP,RES, WREN, WRDI, RDID, RDSR, WRSR(7)			100			104	MHz
fRSCLK	fR	Clock Frequency for READ instructions			45			55	MHz
fTCLK	fT	Clock Frequency for DREAD instructions			75			104	MHz
		Clock Frequency for 2READ instructions			75			104	MHz
tCH(1)	tCLH	Clock High Time	5.5			4.0			ns
tCL(1)	tCLL	Clock Low Time (fSCLK) 45% x (1fSCLK)	5.5			4.0			ns
tCLCH(7)		Clock Rise Time (peak to peak)	0.1			0.1			v/ns
tCHCL(7)		Clock Fall Time (peak to peak)	0.1			0.1			v/ns
tSLCH	tCSS	CS# Active Setup Time (relative to SCLK)	5			5			ns
tCHSL		CS# Not Active Hold Time (relative to SCLK)	5			5			ns
tDVCH	tDSU	Data In Setup Time	2			2			ns
tCHDX	tDH	Data In Hold Time	3			3			ns
tCHSH		CS# Active Hold Time (relative to SCLK)	5			5			ns
tSHCH		CS# Not Active Setup Time (relative to SCLK)	5			5			ns
tSHSL	tCSH	CS# Deselect Time From Read to next Read	20			20			ns
		CS# Deselect Time From Write,Erase,Program to Read Status Register	30			30			ns
		Volatile Status Register Write Time	40			40			ns
tSHQZ(7)	tDIS	Output Disable Time			6			6	ns
tCLQV	tV	Clock Low to Output Valid Loading 30pF			9			7	ns
		Clock Low to Output Valid Loading 15pF			8			6	ns
tCLQX	tHO	Output Hold Time	0			0			ns
tHLCH		HOLD# Active Setup Time (relative to SCLK)	5			5			ns
tCHHH		HOLD# Active Hold Time (relative to SCLK)	5			5			ns
tHHCH		HOLD# Not Active Setup Time (relative to SCLK)	5			5			ns
tCHHL		HOLD# Not Active Hold Time (relative to SCLK)	5			5			ns
tHHQX	tLZ	HOLD# to Output Low-Z			6			6	ns
tHLQZ	tHZ	HOLD# to Output High-Z			6			6	ns
tWHS(3)		Write Protect Setup Time	20			20			ns
tSHWL(3)		Write Protect Hold Time	100			100			ns
tDP		CS# High to Deep Power-down Mode			3			3	us
tRES1		CS# High To Standby Mode Without Electronic Signature Read			8			8	us
tRES2		CS# High To Standby Mode With Electronic Signature Read			8			8	us
tW		Write Status Register Cycle Time		12	15		12	15	ms
tReady		Reset recovery time(for erase/program operation except WRSR)	80			80			us
		Reset recovery time(for WRSR operation)		12	15		12	15	ms

Table-14. AC Parameters for Program and Erase (Ta=-40°C to +85°C)

Sym.	Parameter	1.65V to 3.6V			Units
		Min.	Typ.	Max.	
t _{PP}	Page program time (up to 256 bytes)		2	3	ms
t _{PE}	Page erase time		13	20	ms
t _{SE}	Sector erase time		13	20	ms
t _{BE1}	Block erase time for 32K bytes		13	20	ms
t _{BE2}	Block erase time for 64K bytes		13	20	ms
t _{CE}	Chip erase time		13	20	ms

Notes:

1. t_{CH} + t_{CL} must be greater than or equal to 1/Frequency.
2. Typical values given for TA=25°C. Not 100% tested.
3. Only applicable as a constraint for a WRSR command.
4. The value guaranteed by characterization, not 100% tested in production.

Figure-31. Serial Input Timing

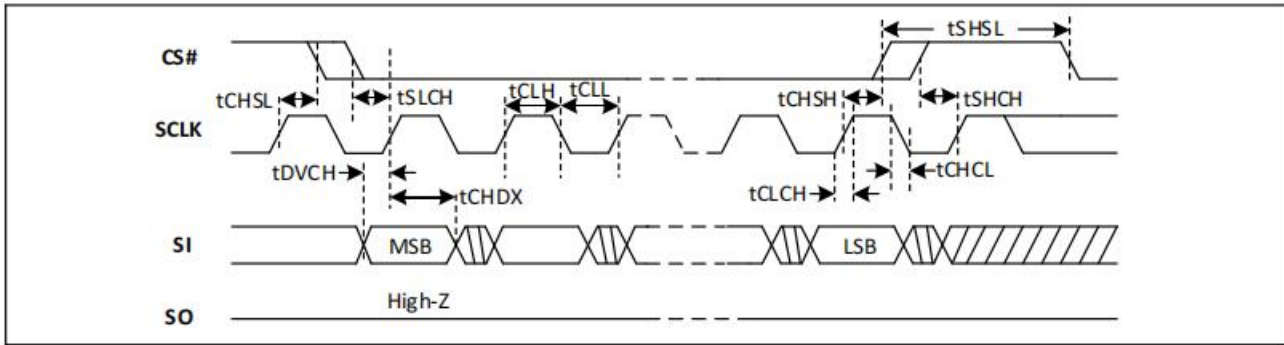
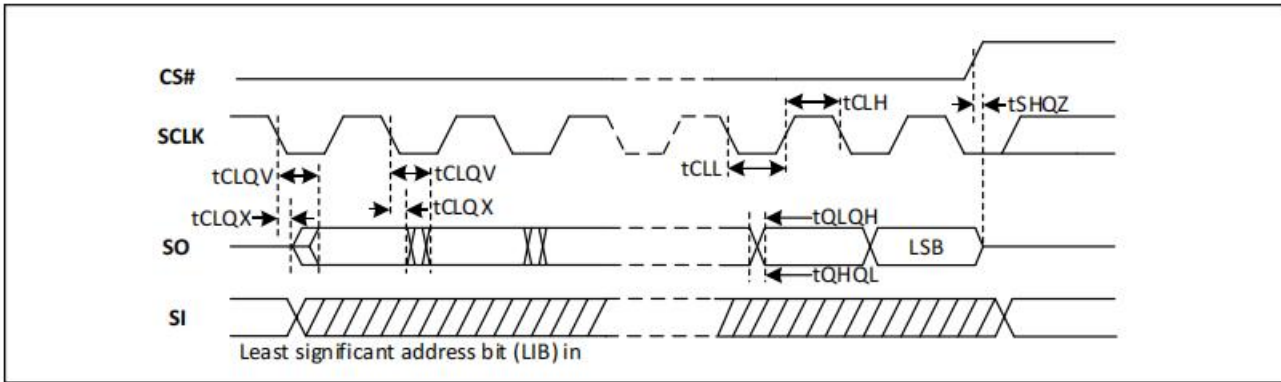
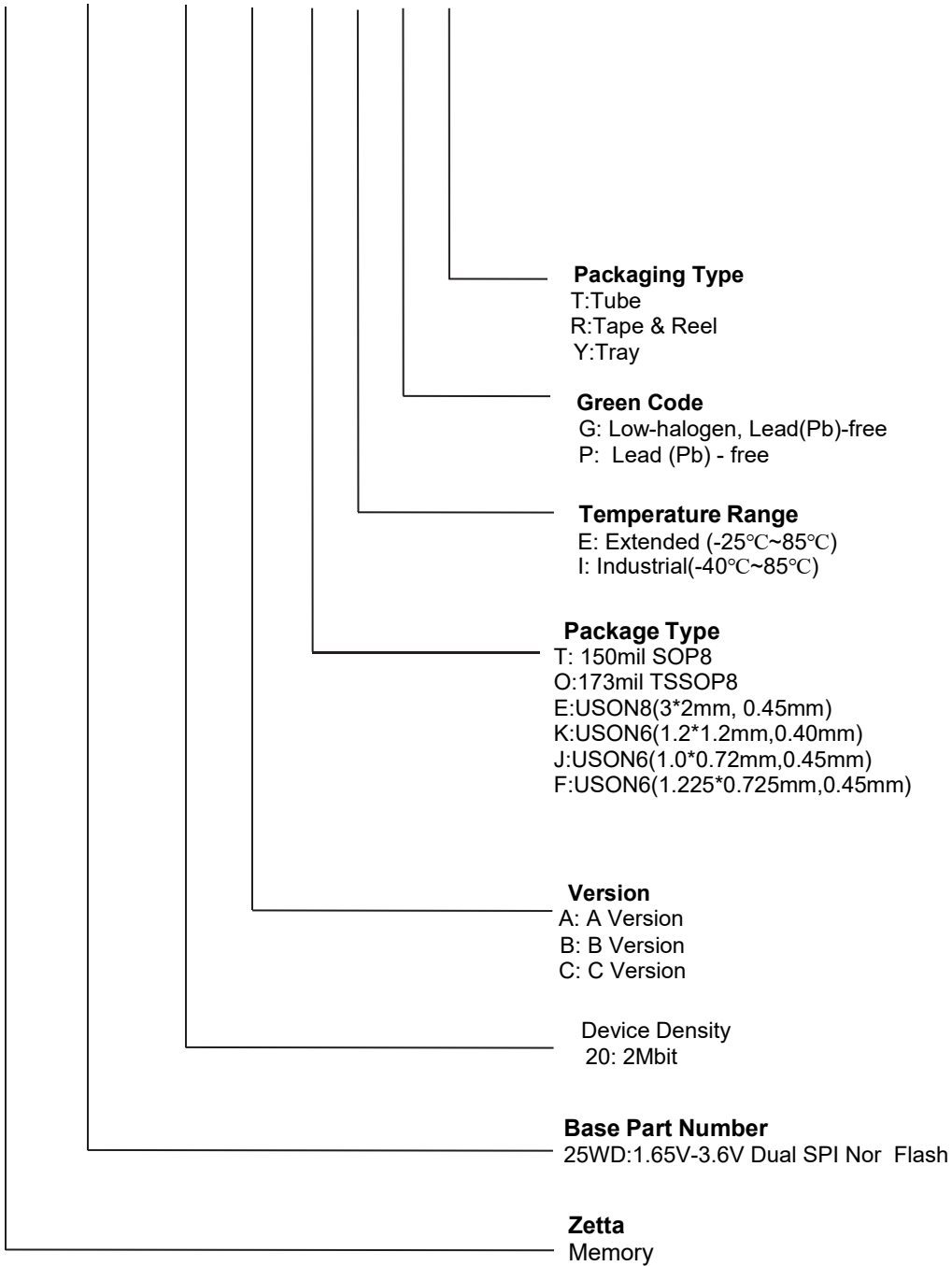


Figure-32. Output Timing



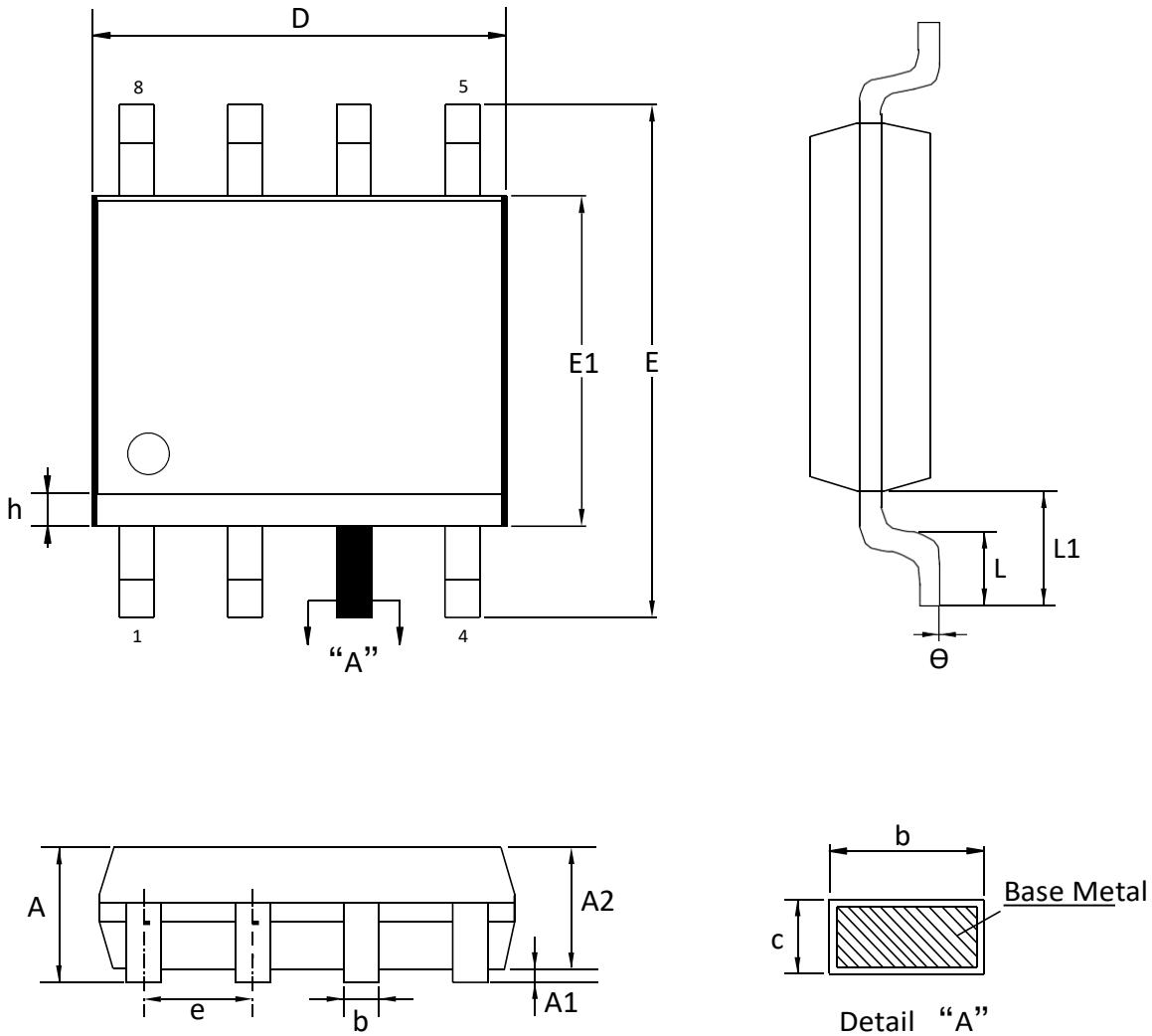
6.ORDERING INFORMATION

ZD 25XX X X X X X X



7.PACKAGE INFORMATION

7.1 Package SOP8 150 MIL

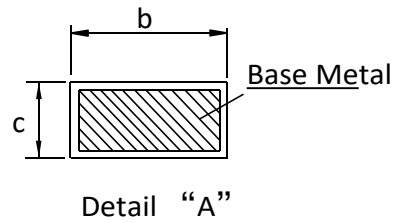
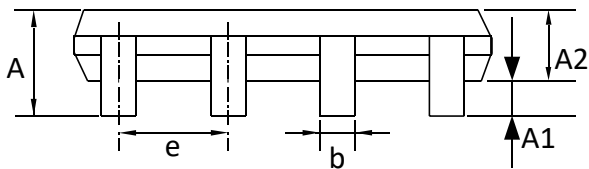
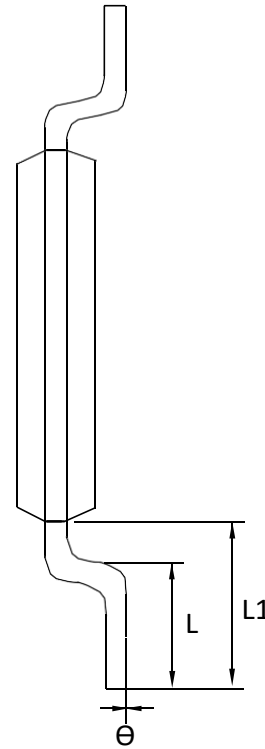
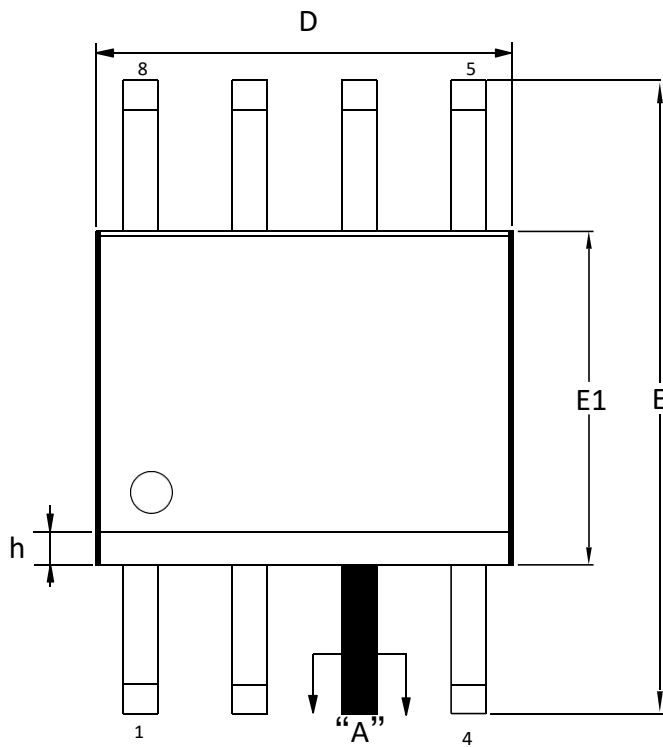


Dimensions

Symbol		A	A1	A2	b	c	D	E	E1	e	L	L1	h	θ
Unit														
mm	Min	1.35	0.05	1.35	0.38	0.17	4.80	5.80	3.80	1.27	0.50	1.04	0.30	0°
	Nom	1.55	0.10	1.40	-	-	4.90	6.00	3.90		0.60		0.40	-
	Max	1.65	0.15	1.50	0.51	0.25	5.00	6.20	4.00		0.80		0.50	8°

Note:

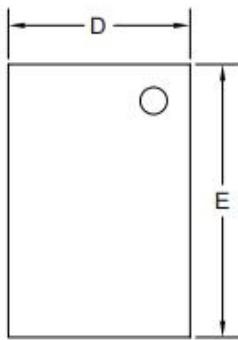
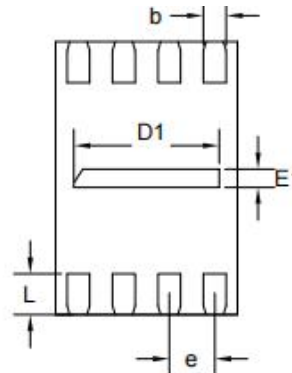
- Both the package length and width do not include the mold FLASH.
- Seating plane: Max. 0.25mm.

7.2 Package TSSOP8

Dimensions

Symbol		A	A1	A2	b	c	D	E	E1	e	L	L1	h	θ
Unit														
mm	Min		0.05	0.8	0.19	0.09	2.90	6.20	4.30	0.65	0.45	1.00		0°
	Nom			1.00	-	-	3.00	6.40	4.40		0.60		-	
	Max	1.2	0.15	1.05	0.30	0.20	3.10	6.60	4.50		0.75		8°	

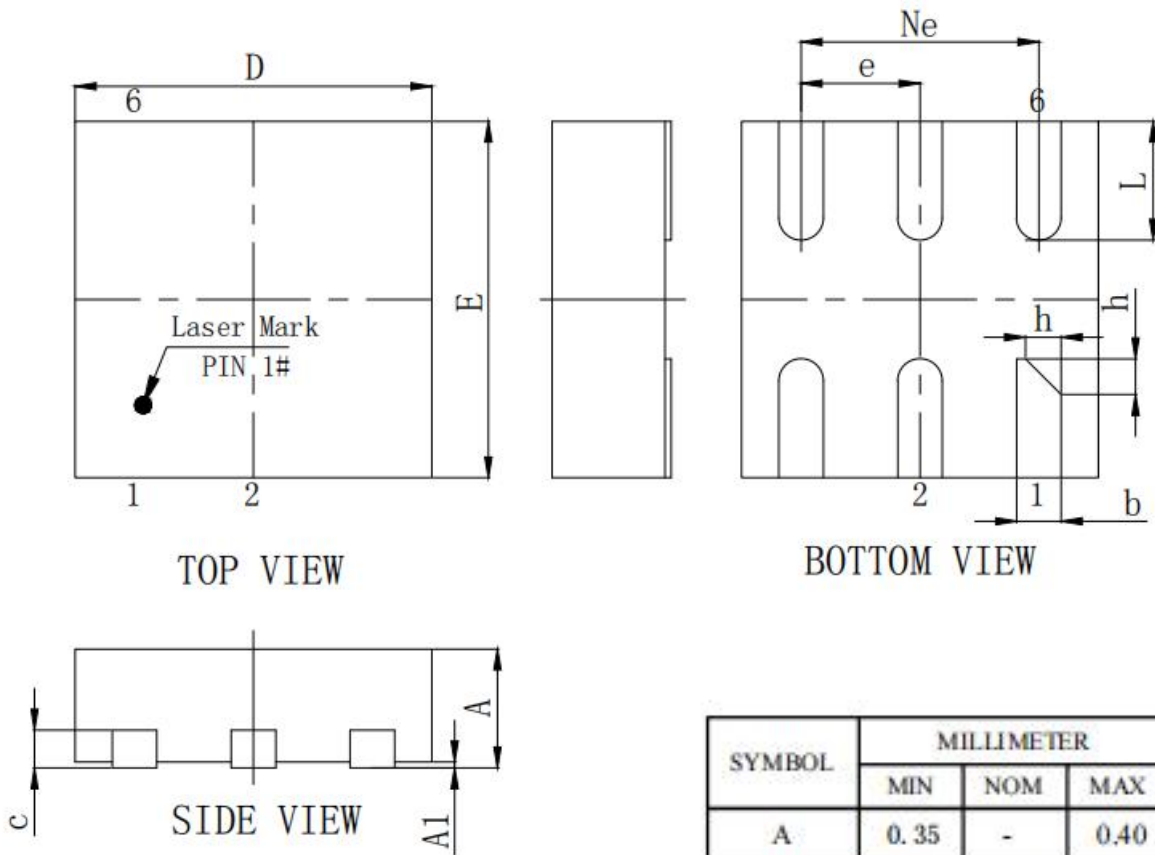
Note:

- Both the package length and width do not include the mold FLASH.
- Seating plane: Max. 0.25mm.

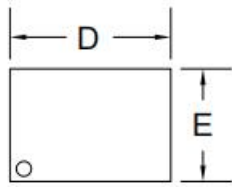
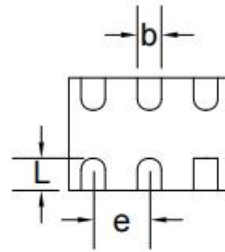
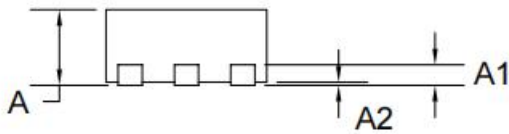
7.3 Package USON8 (3x2x0.45)

TOP VIEW

BOTTOM VIEW

SIDE VIEW

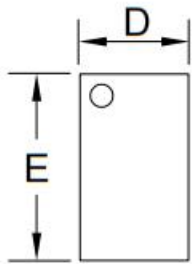
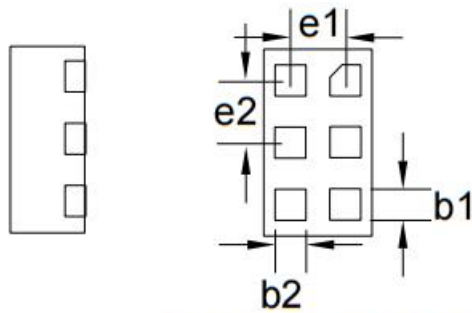
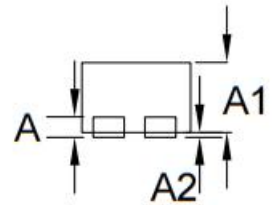
COMMON DIMENSIONS (UNITS OF MEASURE=MILLIMETER)			
SYMBOL	MILLIMETER		
	MIN	NOM	MAX
D	1.95	2.0	2.05
E	2.95	3.0	3.05
D1	1.575	1.6	1.625
E1	0.175	0.2	0.225
L	0.425	0.45	0.475
e	0.50 BSC		
b	0.225	0.25	0.275
A	0.40	0.45	0.50
A1	0.152REF		
A2	0	0.02	0.05
DIE PAD SIZE	1.75 X0.80		

7.4 Package DFN6 (1.2x1.2x0.40)


SYMBOL	MILLIMETER		
	MIN	NOM	MAX
A	0.35	-	0.40
A1	0.00	0.02	0.05
b	0.10	0.15	0.20
c	0.127REF		
D	1.15	1.20	1.25
e	0.40BSC		
Ne	0.80BSC		
E	1.15	1.20	1.25
L	0.35	0.40	0.45
h	0.12REF		

7.5 Package DFN6 (1.0x0.72x0.45)

TOP VIEW

BOTTOM VIEW

SIDE VIEW

COMMON DIMENSIONS (UNITS OF MEASURE=MILLIMETER)			
SYMBOL	MILLMETER		
	MIN	NOM	MAX
D	0.95	1.00	1.05
E	0.67	0.72	0.77
L	0.175	0.20	0.225
e	0.35BSC		
b	0.125	0.15	0.175
A	0.40	0.45	0.50
A1	0.127REF		
A2	0.00	0.02	0.05

7.6 Package DFN6 (1.225x0.725x0.45)

TOP VIEW

BOTTOM VIEW

SIDE VIEW

COMMON DIMENSIONS (UNITS OF MEASURE=MILLIMETER)			
SYMBOL	MILLMETER		
	MIN	NOM	MAX
D	0.70	0.725	0.755
E	1.20	1.225	1.255
b1	0.17	0.2	0.23
b2	0.17	0.2	0.23
e1	0.33	0.35	0.38
e2	0.37	0.4	0.43
A		0.127REF	
A1	0.40	0.45	0.50
A2	0	0.02	0.05

8. REVISION HISTORY

Version No	Description	Date
1.0	Initial Release	2022-03-18
1.1	Add package information	2022-08-19
1.3	Add package DFN6L 1007 information	2023-01-05
1.4	Add package DFN6L 1207 information	2023-03-15