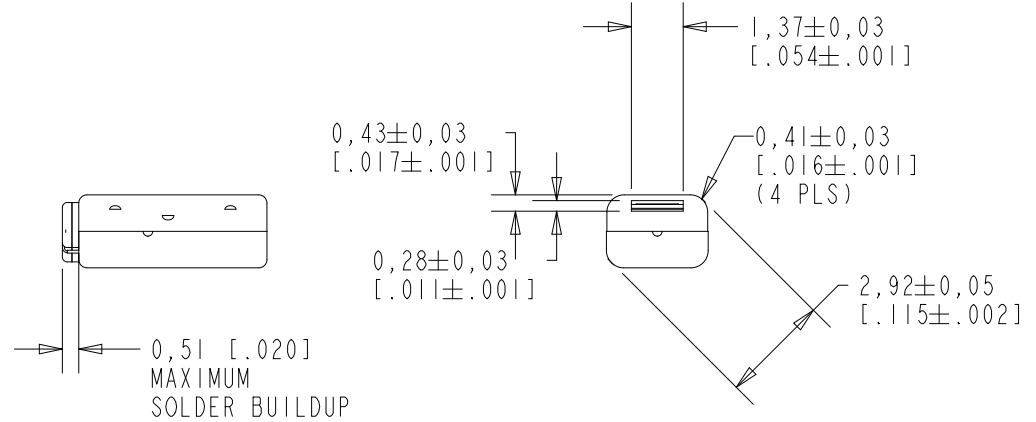
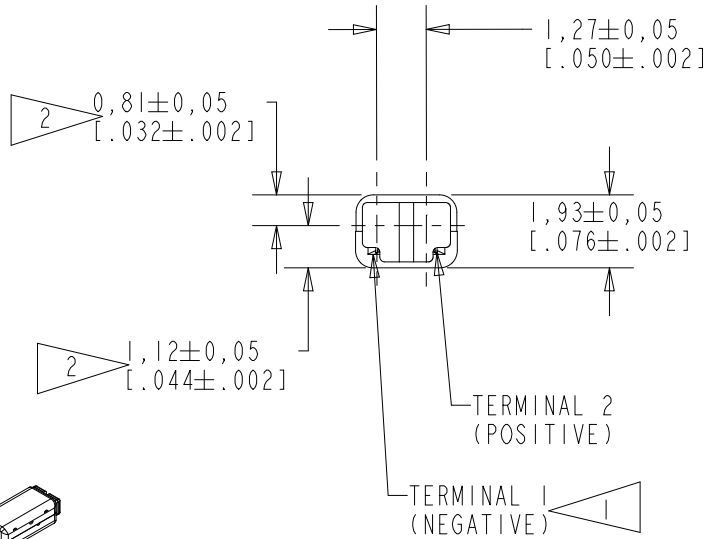
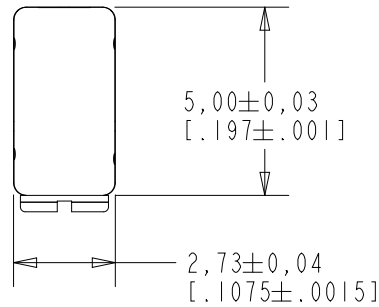


NOTES:

- 1 A POSITIVE GOING VOLTAGE AT TERMINAL 2, RELATIVE TO TERMINAL 1, CAUSES A DECREASE IN PRESSURE AT THE SOUND OUTLET.
- 2 LOCATED FROM TWO SURFACES FOR CUSTOMER CONVENIENCE. ONLY APPLICABLE FROM ONE SURFACE, NOT TO BE USED TOGETHER.



SCALE 2:1
NOMINAL WEIGHT
.11 GRAMS

DIMENSIONS IN MILLIMETERS [INCHES]



REVISION	ECR NO.	IMP. DATE	SCALE	DR. BY	DATE
H	P10003003	6-22-22	5:1	AB	6-7-06
G	C10111950	12-20-10		GJP	6-8-06
RELEASE LEVEL		REVISION		APP. BY	DATE
Active		H	GJP	6-8-06	
TITLE: RECEIVER OUTLINE DRAWING			DIMENSIONS IN MILLIMETERS [INCHES] WBFK-30019-000 SHEET 1.1		

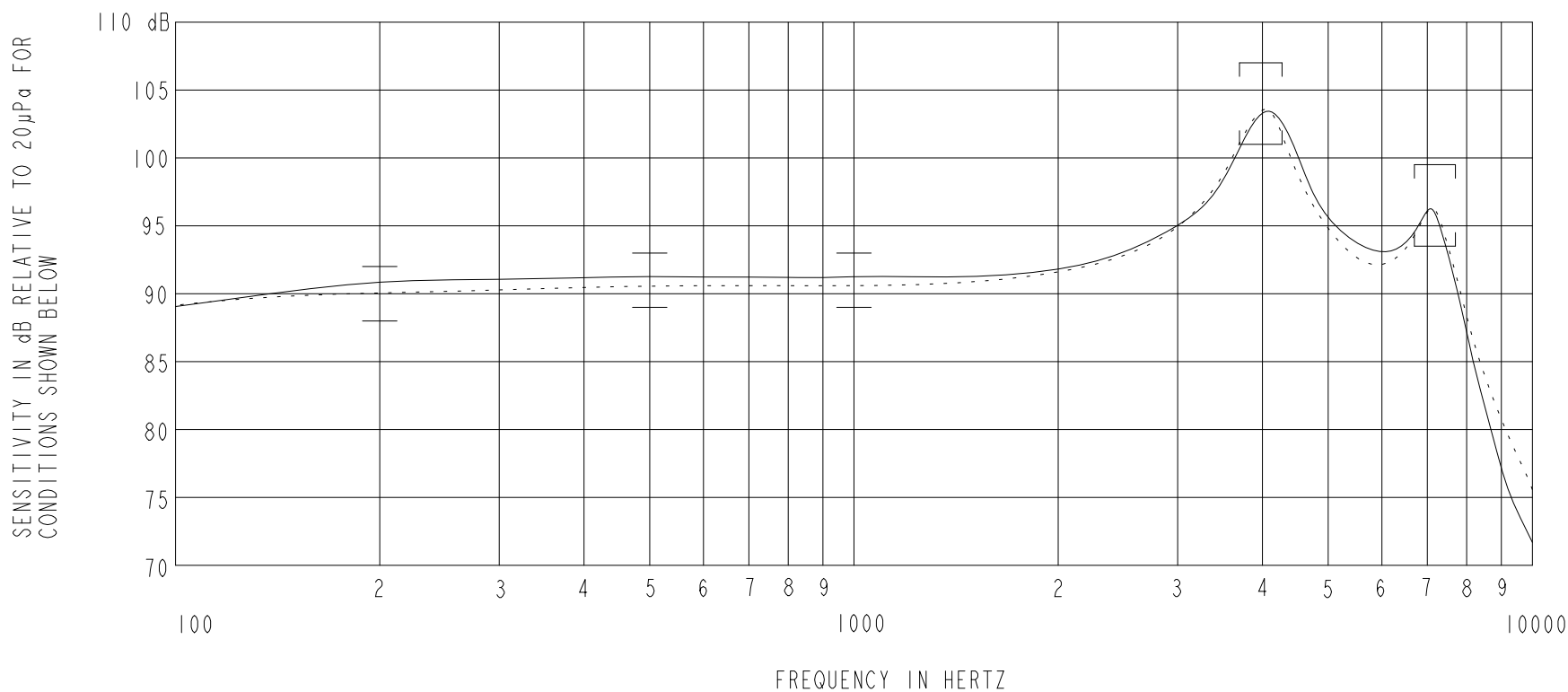
AN UNDAMPED AND TUBELESS MAGNETIC BALANCED ARMATURE RECEIVER
INTENDED FOR USE AS THE HIGH FREQUENCY DRIVER IN A HIFI SYSTEM.

NOTE: SPECIFICATIONS FOLLOWED BY AN ASTERISK (*) ARE 100% TESTED.

WBFK-30019-000

SHEET 2.1

CONSTANT VOLTAGE CONDITIONS



ACOUSTICAL

SENSITIVITY*
DEVICE WILL PRODUCE THE SPL LISTED BELOW UNDER TEST CONDITION IN TABLE 3.
NOMINAL SENSITIVITY AT 1kHz IS dB RELATIVE TO 20 μPa. ALL OTHER VALUES
IN dB RELATIVE TO THE SENSITIVITY AT 1kHz.

FREQUENCY (Hz)	MINIMUM	NOMINAL	MAXIMUM
200	-3.0	-1.0	+1.0
500	-2.0	0.0	+2.0
1000	-2.0	91.0	+2.0
3700-4300	+10.0	+13.0	+16.0
6700-7700	+2.5	+5.5	+8.5

TABLE 1

TOTAL HARMONIC DISTORTION*
DEVICE WILL NOT EXCEED TOTAL HARMONIC DISTORTION LEVELS LISTED BELOW.

FREQUENCY (Hz)	AC DRIVE (V rms)	DC BIAS (V)	LIMIT (%)
1280	.094	0	5
1920	.094	0	5
1920	.265	0	10

TABLE 2

TEST CONDITIONS

NOMINAL SOURCE VOLTAGE	.094 V rms, 0 mA DC BIAS
SOURCE IMPEDANCE	<1 Ohm
TUBING	10mm [.394"] LONG, 1mm [.039"] I.D.
COUPLER CAVITY	2 CM ³ , SIMULATED ANSI S3.7 TYPE HA-3 (IEC 60318-5)

TABLE 3

ELECTRICAL

DC RESISTANCE	12.5 Ohms ± 10%*
IMPEDANCE @ 500 Hz	14.5 Ohms ± 15%*
IMPEDANCE @ 1kHz	15.2 Ohms ± 15%*

TABLE 4

ISOLATION: CASE WILL BE ELECTRICALLY ISOLATED FROM THE COIL CIRCUIT.

MECHANICAL

PORT LOCATION: 12N
SOLDER TYPE: SAC305
TEMPERATURE

OPERATING: SENSITIVITY WILL NOT VARY MORE
THAN +1 / -3 dB FROM -17°C TO 63°C.
STORAGE: -40°C TO 63°C.

Revision	C.O. #	Implementation Date	RELEASE LEVEL	REVISION
B	PI0003176	4-23-19	Active	H
A	PI0000098	7-30-15		

WHEN TEST LIMITS ARE USED TO ESTABLISH INCOMING INSPECTION ACCEPTANCE/REJECTION CRITERIA, CORRELATION OF TEST EQUIPMENT WITH KNOWLES IS ALSO REQUIRED FOR ELIMINATION OF EQUIPMENT AND TEST METHOD VARIATION

DR. BY	DATE
LW	7-30-15
CK. BY	DATE
GJP	7-31-15
APP. BY	DATE
GJP	7-31-15

KNOWLES CORPORATION

TITLE: RECEIVER
PERFORMANCE SPECIFICATION

WBFK-30019-000
SHT 2.1