

776932-4 ✓ ACTIVE

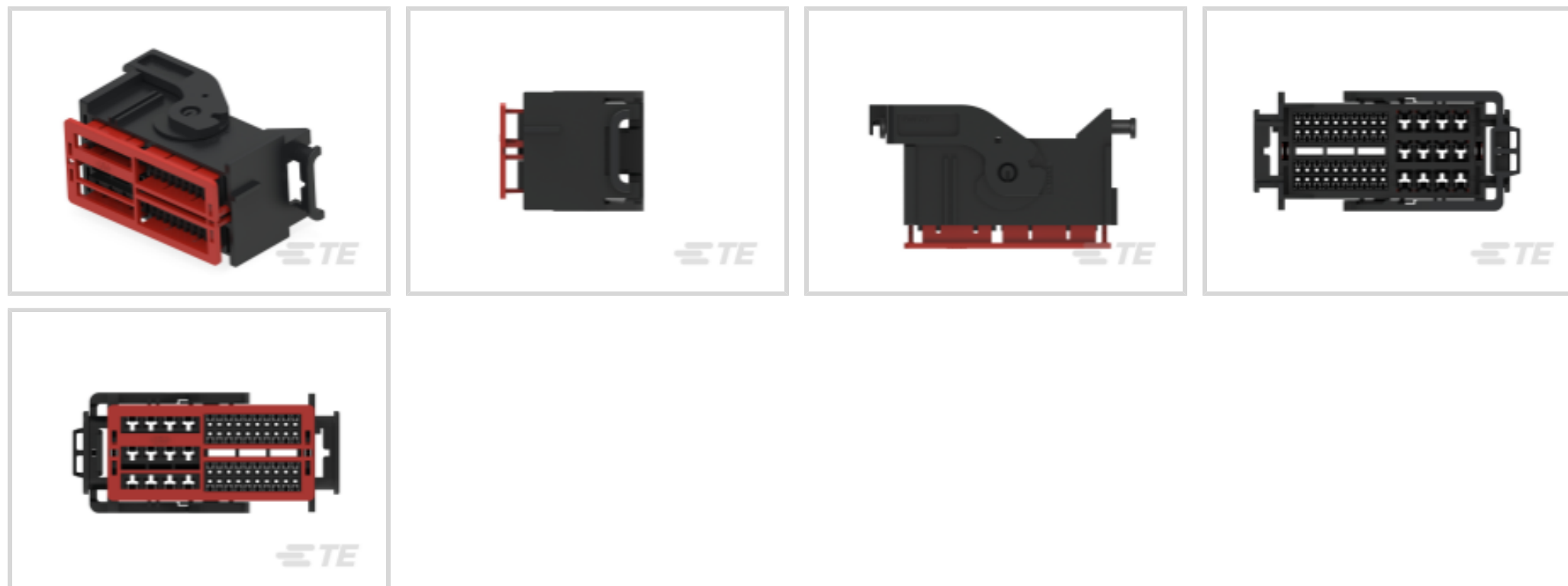
TE Internal #: 776932-4

Housing for Female Terminals, Wire-to-Board, 52 Position, .197 in / .1 in [5 mm / 2.54 mm] Centerline, Black, Wire & Cable, Signal

[View on TE.com >](#)



Connectors > Automotive Connectors > Automotive Housings



Connector System: **Wire-to-Board**

Number of Positions: **52**

Connector & Housing Type: **Housing for Female Terminals**

Centerline (Pitch): **2.54 mm, 5 mm [ .1 in, .197 in ]**

Sealable: **No**

## Features

### Product Type Features

Mixed & Hybrid Connector	Yes
Connector System	Wire-to-Board
Connector & Housing Type	Housing for Female Terminals
Sealable	No
Connector & Contact Terminates To	Wire & Cable
Primary Locking Feature	Integrated in Housing

### Configuration Features

Number of Positions	52
Number of Rows	4

### Body Features

Primary Product Color	Black
-----------------------	-------

### Contact Features

Mating Tab Width	.64 mm, 2.8 mm [.025 in][.11 in]
------------------	----------------------------------

### Mechanical Attachment

Connector Mounting Type	Cable Mount (Free-Hanging)
-------------------------	----------------------------



### Housing Features

Centerline (Pitch)	2.54 mm, 5 mm [.1 in] [.197 in]
--------------------	---------------------------------

### Operation/Application

Circuit Application	Signal
---------------------	--------

### Other

Connector Position Assurance Capable	No
--------------------------------------	----

### Product Compliance

[For compliance documentation, visit the product page on TE.com>](#)

EU RoHS Directive 2011/65/EU	Compliant
EU ELV Directive 2000/53/EC	Compliant
China RoHS 2 Directive MIIT Order No 32, 2016	No Restricted Materials Above Threshold
EU REACH Regulation (EC) No. 1907/2006	Current ECHA Candidate List: JUNE 2023 (235) Candidate List Declared Against: JUNE 2023 (235) Does not contain REACH SVHC
Halogen Content	BFR/CFR/PVC Free, but Br/Cl >900 ppm in other sources.
Solder Process Capability	Not applicable for solder process capability

#### Product Compliance Disclaimer

This information is provided based on reasonable inquiry of our suppliers and represents our current actual knowledge based on the information they provided. This information is subject to change. The part numbers that TE has identified as EU RoHS compliant have a maximum concentration of 0.1% by weight in homogenous materials for lead, hexavalent chromium, mercury, PBB, PBDE, DBP, BBP, DEHP, DIBP, and 0.01% for cadmium, or qualify for an exemption to these limits as defined in the Annexes of Directive 2011/65/EU (RoHS2). Finished electrical and electronic equipment products will be CE marked as required by Directive 2011/65/EU. Components may not be CE marked. Additionally, the part numbers that TE has identified as EU ELV compliant have a maximum concentration of 0.1% by weight in homogenous materials for lead, hexavalent chromium, and mercury, and 0.01% for cadmium, or qualify for an exemption to these limits as defined in the Annexes of Directive 2000/53/EC (ELV). Regarding the REACH Regulation, the information TE provides on SVHC in articles for this part number is based on the latest European Chemicals Agency (ECHA) 'Guidance on requirements for substances in articles' posted at this URL: <https://echa.europa.eu/guidance-documents/guidance-on-reach>

### Compatible Parts

TE Part # 638283-1  
TPA,52P HYBRID PLUG

## Customers Also Bought



TE Part #1241634-1  
MQS, CONNECTOR HOUSING



TE Part #776204-2  
MULTILOCK, CONNECTOR HOUSING



TE Part #284844-4  
12 POS MCP HYBRID MALE CONN AS



TE Part #2236046-8  
32POS, MIXED, MALE CONN., CLIP2,  
COD B



TE Part #2236048-1  
KIT SEC.LOCK FOR 32 WAYS CONN.



TE Part #2098963-1  
30 WAY SHIELD ASSEMBLY, KEY AD

## Documents

### Product Drawings

52 pos plug, 0.64 and 2.80mm

English

### CAD Files

Customer View Model

[ENG\\_CVM\\_CVM\\_776932-4\\_B.2d\\_dxf.zip](#)

English

### 3D PDF

3D

Customer View Model

[ENG\\_CVM\\_CVM\\_776932-4\\_B.3d\\_igs.zip](#)

English

Customer View Model

[ENG\\_CVM\\_CVM\\_776932-4\\_B.3d\\_stp.zip](#)

English

By downloading the CAD file I accept and agree to the [Terms and Conditions](#) of use.

776932-4

Housing for Female Terminals, Wire-to-Board, 52 Position, .197 in / .1 in [5 mm / 2.54 mm] Centerline, Black, Wire & Cable, Signal

