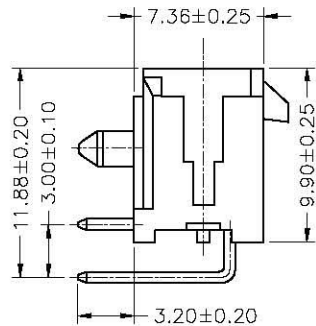
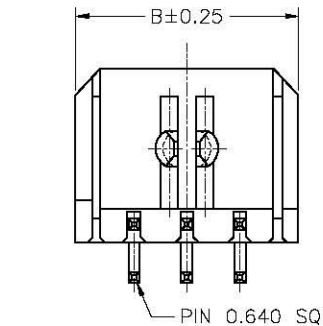


P.C.B LAYOUT



**SPECIFICATIONS**

Current Rating: 5A AC,DC  
 Voltage Rating: 250V AC,DC  
 Temperature Range: -45°C ~ +85°C  
 Contact Resistance: 10mΩ Max  
 Insulation Resistance: 1000MΩ Min  
 Withstanding Voltage: 1500V AC/minute  
 Pin Material: Brass/Tin-plated  
 Material: PA46 UL94V-0  
 Color: Natural(Black)

**Ordering Information & Dimensions**

PART NO.	Dimensions	
	A	B
C3030WR-2X01P	---	6.65
C3030WR-2X02P	3.00	9.65
C3030WR-2X03P	6.00	12.65
C3030WR-2X04P	9.00	15.65
C3030WR-2X05P	12.00	18.65
C3030WR-2X06P	15.00	21.65
C3030WR-2X07P	18.00	24.65
C3030WR-2X08P	21.00	27.65
C3030WR-2X09P	24.00	30.65
C3030WR-2X10P	27.00	33.65
C3030WR-2X11P	30.00	36.65
C3030WR-2X12P	33.00	39.65

<b>L&amp;X 深圳市连欣科技有限公司</b>				
UNIT	SCALE	SHEET	TITLE:	
mm		1 of 1	3.00mm PITCH	
DRAWN BY	APPROVED BY	90° WAFER,		
董正一	董正一	MICRO-FIT		
2001.02.01	2001.02.01	DRAW NO. : XDWF-C3030WR-**P		
GENERAL TOLERANCE				
B1	REVISE	2008.12.30	X. X±0.25	ANGLE±
B0	NEW RELEASE	2005.12.14	X. XX±0.15	
REV.	DESCRIPTION	DATE	X. XXX±0.05	REV. B1