

1971781-2 ✓ ACTIVE



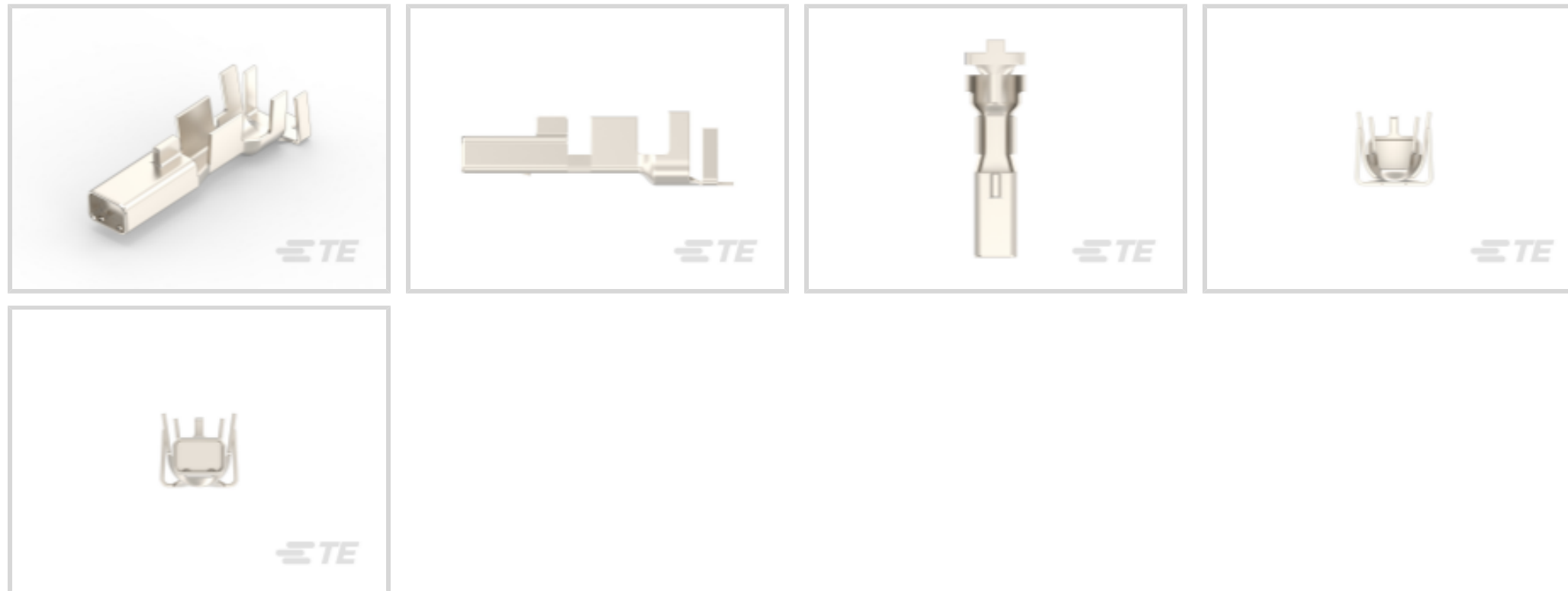
## Power Triple Lock

TE Internal #: 1971781-2

Receptacle Contact, Tin, 600 VAC, 600 VDC, 14 AWG Wire Size, 2 mm<sup>2</sup> Wire Size, Crimp, Copper Alloy, Power, Power Triple Lock

[View on TE.com >](#)

Connectors > Contacts > Connector Contacts > Receptacle Contact — POWER TRIPLE LOCK



Contact Type: **Receptacle**

Contact Mating Area Plating Material: **Tin**

Wire Contact Termination Area Plating Material: **Pre-Tin**

Operating Voltage: **600 VDC**

[All Receptacle Contact — POWER TRIPLE LOCK \(13\)](#)

## Features

### Electrical Characteristics

Operating Voltage	600 VDC
-------------------	---------

### Contact Features

Mating Tab Width	2.7 mm[.106 in]
Mating Tab Thickness	1.63 mm[.064 in]
Wire Contact Termination Area Plating Thickness	.8 – 1.5 μm[31.49 – 59 μin]
Wire Contact Termination Area Plating Material Finish	Bright
Contact Orientation	Straight
Contact Type	Receptacle
Contact Mating Area Plating Material	Tin
Wire Contact Termination Area Plating Material	Pre-Tin
Contact Retention Within Housing	Without
Contact Base Material	Copper Alloy
Contact Current Rating (Max)	15 A

### Termination Features



Termination Method to Wire & Cable	Crimp
------------------------------------	-------

Product Terminates To	Wire & Cable
-----------------------	--------------

### Mechanical Attachment

Wire Insulation Support	With
-------------------------	------

### Dimensions

Compatible Insulation Diameter Range	3.4 – 3.7 mm [.134 – .146 in]
--------------------------------------	-------------------------------

Wire Size	2 mm <sup>2</sup>
-----------	-------------------

### Usage Conditions

Operating Temperature Range	-55 – 150 °C [-67 – 302 °F]
-----------------------------	-----------------------------

### Operation/Application

Circuit Application	Power
---------------------	-------

### Industry Standards

Compatible With Agency/Standards Products	UL, VDE
---	---------

### Packaging Features

Packaging Method	Reel
------------------	------

## Product Compliance

[For compliance documentation, visit the product page on TE.com>](#)

EU RoHS Directive 2011/65/EU	Compliant
------------------------------	-----------

EU ELV Directive 2000/53/EC	Compliant
-----------------------------	-----------

China RoHS 2 Directive MIIT Order No 32, 2016	No Restricted Materials Above Threshold
---	---

EU REACH Regulation (EC) No. 1907/2006	Current ECHA Candidate List: JUNE 2023 (235) Candidate List Declared Against: JUNE 2023 (235) Does not contain REACH SVHC
--	---

Halogen Content	Low Halogen - Br, Cl, F, I < 900 ppm per homogenous material. Also BFR/CFR/PVC Free
-----------------	---

Solder Process Capability	Not reviewed for solder process capability
---------------------------	--

#### Product Compliance Disclaimer

This information is provided based on reasonable inquiry of our suppliers and represents our current actual knowledge based on the information they provided. This information is subject to change. The part numbers that TE has identified as EU RoHS compliant have a maximum concentration of 0.1% by weight in homogenous materials for lead, hexavalent chromium, mercury, PBB, PBDE, DBP, BBP, DEHP, DIBP, and 0.01% for cadmium, or qualify for an exemption to these limits as defined in the Annexes of Directive 2011/65/EU (RoHS2). Finished electrical and electronic equipment products

will be CE marked as required by Directive 2011/65/EU. Components may not be CE marked. Additionally, the part numbers that TE has identified as EU ELV compliant have a maximum concentration of 0.1% by weight in homogenous materials for lead, hexavalent chromium, and mercury, and 0.01% for cadmium, or qualify for an exemption to these limits as defined in the Annexes of Directive 2000/53/EC (ELV). Regarding the REACH Regulation, the information TE provides on SVHC in articles for this part number is based on the latest European Chemicals Agency (ECHA) 'Guidance on requirements for substances in articles' posted at this URL: <https://echa.europa.eu/guidance-documents/guidance-on-reach>

## Compatible Parts



TE Part # CAT-P87074-P729A  
High Temperature Plug — POWER TRIPLE LOCK



TE Part # 1452426-1  
EXTRACTION TOOL



TE Part # 1-1971876-7  
PTL 3X5 PLUG HSG STD TEMP KEY A NAT



TE Part # 2151742-1  
OCEAN\_2.0\_APPLICATOR-S-090F160F



TE Part # 2151742-2  
OCEAN\_2.0\_APPLICATOR-S-090F160F



TE Part # 2217266-1  
SDE COMMERCIAL TOOL AND DIE



TE Part # 2217266-2  
SDE COMMERCIAL TOOL AND DIE



TE Part # 2305570-1  
Strip Terminal Cutter-Side Feed-No Crimp



TE Part # 7-2151742-1  
OCEAN\_2.0\_APPLICATOR-S-090F160F



TE Part # 7-2151742-2  
OCEAN\_2.0\_APPLICATOR-S-090F160F



TE Part # 7-2151742-7  
OCEAN\_2.0\_SPARE\_PART\_KIT-090F160F

## Also in the Series | Power Triple Lock



Connector Contacts(30)



Connector Hardware(12)



Insertion & Extraction Tools(1)



Rectangular Power Connectors(300)

## Customers Also Bought



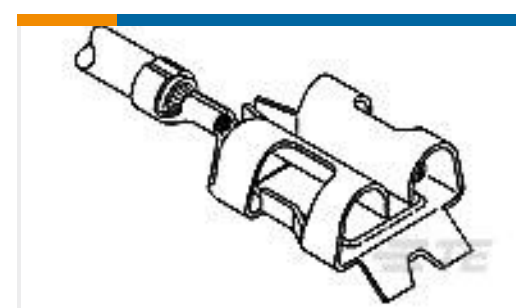
TE Part #9-1971773-2  
PTL 1X2 PLUG HSG HIGH TEMP KEY  
A LGR



TE Part #1971785-2  
Receptacle Contact — POWER TRIPLE  
LOCK



TE Part #42722-1  
RING TONGUE 12-10 AWG BR



TE Part #640748-7  
HEAVY DUTY BURNER REC 18-14  
AWG PHBRZ



TE Part #5-2232357-7  
PTL 3X5 PLUG HSG GLW WIRE KEY A  
DGR



TE Part #1-1744498-0  
10P EP-II HOUSING, BLACK



TE Part #1-1969706-1  
250 FASTON HSG., FLAG, REC., 2 POS,  
BLACK

## Documents

### Product Drawings

#### PTL RECEPTACLE CONTACT, 14 AWG

English

### CAD Files

#### 3D PDF

3D

#### Customer View Model

[ENG\\_CVM\\_CVM\\_1971781-2\\_E.2d\\_dxf.zip](#)

English

#### Customer View Model

[ENG\\_CVM\\_CVM\\_1971781-2\\_E.3d\\_igs.zip](#)

English

#### Customer View Model

[ENG\\_CVM\\_CVM\\_1971781-2\\_E.3d\\_stp.zip](#)

English

By downloading the CAD file I accept and agree to the [Terms and Conditions](#) of use.

### Datasheets & Catalog Pages

#### 1-1773734-9 TE Power Triple Lock Quick Reference Guide - German

German

#### 9-1773465-1 Power Triple Lock QRG

English

### Product Specifications

#### Application Specification

English



### Instruction Sheets

[Instruction Sheet \(U.S.\)](#)

English

[Instruction Sheet \(U.S.\)](#)

English

---

### Agency Approvals

[VDE Certificate](#)

English

[VDE Certificate](#)

English