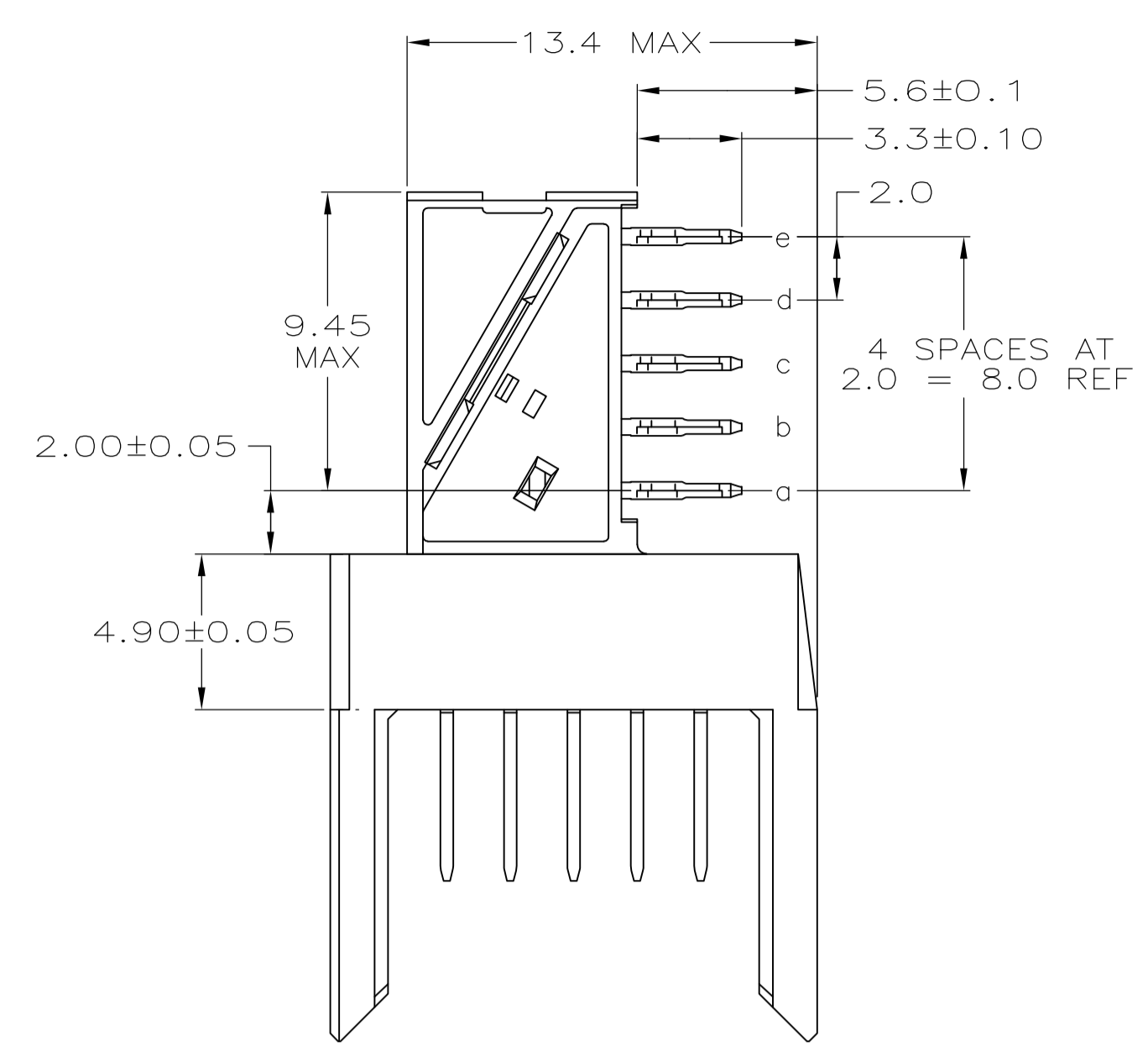
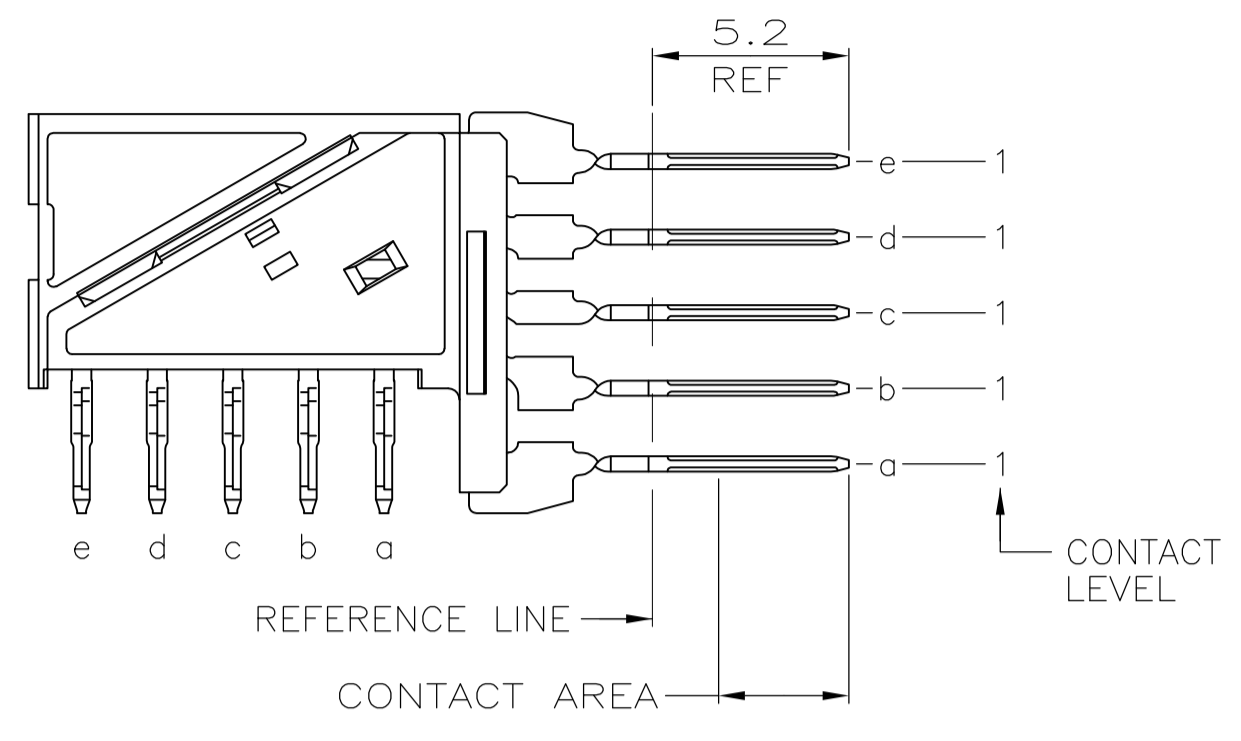


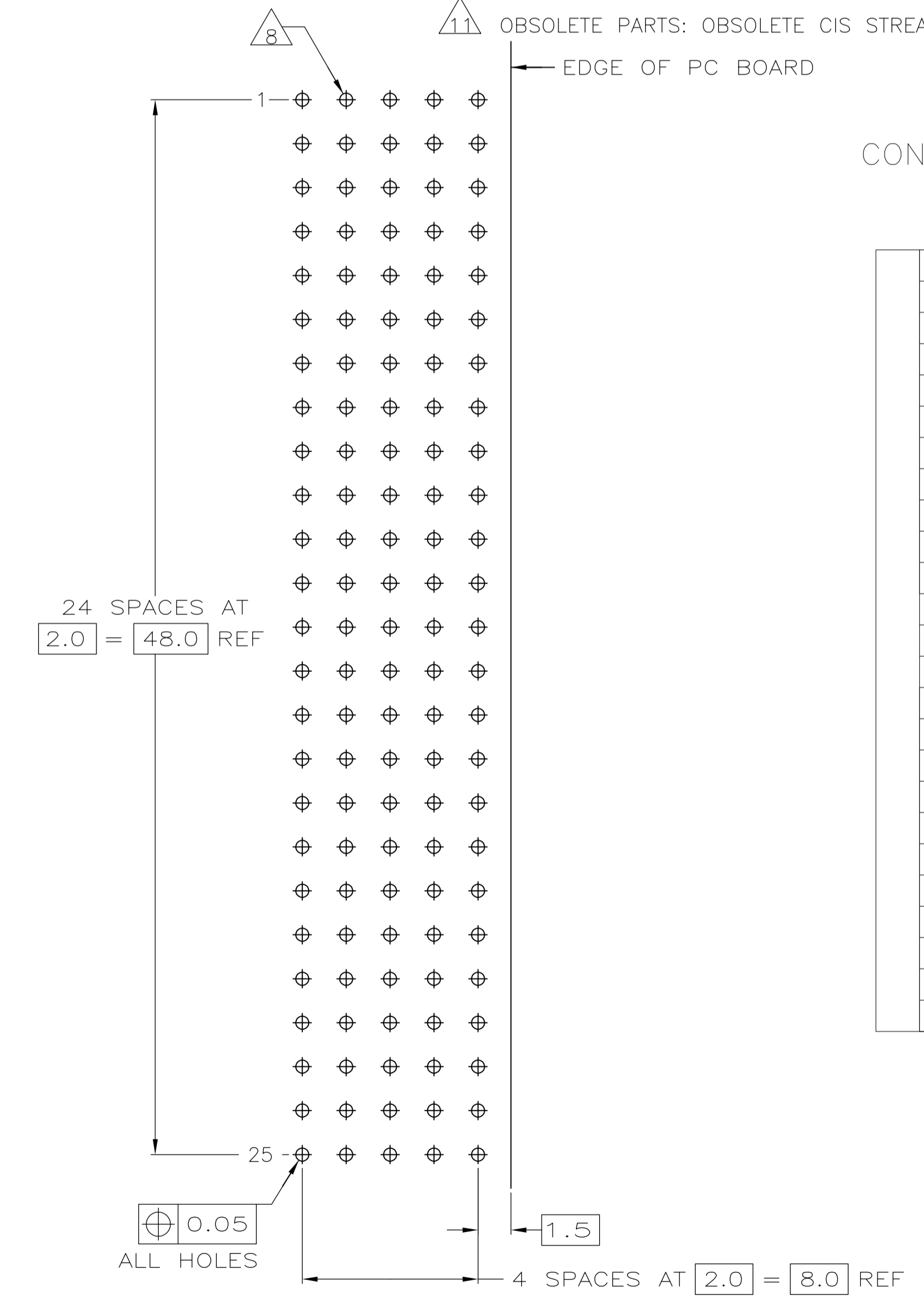
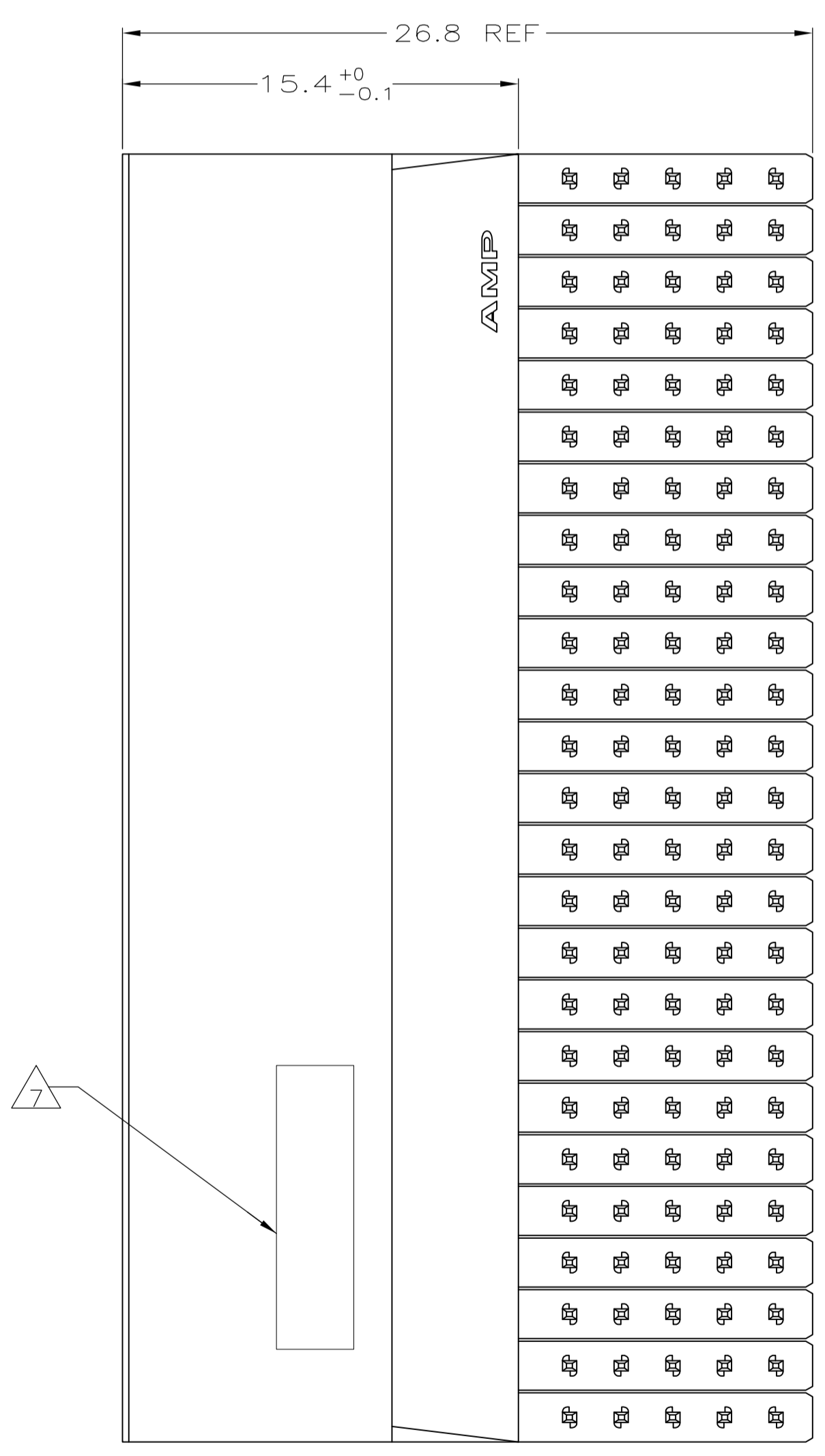
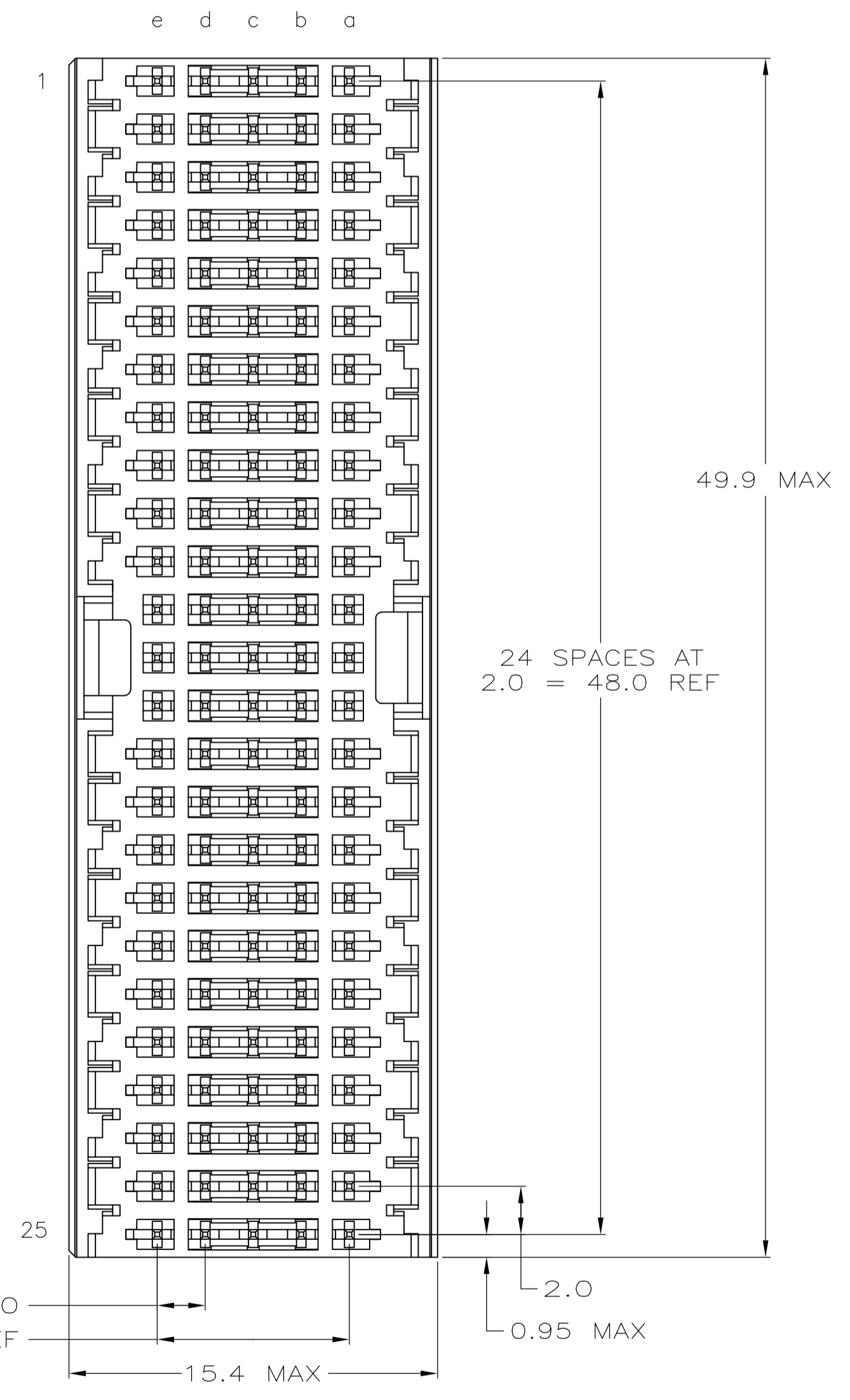
LOC		DIST		REVISIONS			
AD	00	REV	DATE	BY	APPV	DATE	REV
C		RELEASED PER ECR	ECR-11-010943	30MAY11	RC	CW	



CONTACT DIMENSIONS



- 1 MATERIAL:  
CONTACT: PHOSPHOR BRONZE.  
HOUSING: GLASS-FILLED POLYESTER.
- 2 GENERAL PLATING SPECIFICATION: UNDERPLATING  
(ENTIRE CONTACT): 1.27µm MIN NICKEL AND ACTION  
PIN: 0.5µm MIN TIN.  
FOR PLATING OF MATING SURFACES SEE APPLICABLE  
SPECIFICATION REFERENCE FOR EACH DASH NUMBER.
- 3 CONFORMS TO ALL TESTING ACCORDING TO IEC 61076-4-101  
PERFORMANCE LEVEL 2.
- 4 CONFORMS TO ALL TESTING ACCORDING TO IEC 61076-4-101  
PERFORMANCE LEVEL 1.
- 5 CONNECTOR TESTED AND QUALIFIED AGAINST TELCORDIA GR-1217-CORE QUALITY LEVEL 3,  
CENTRAL OFFICE APPLICATIONS.
- 6 CONNECTOR TESTED AND QUALIFIED AGAINST TELCORDIA GR-1217-CORE QUALITY LEVEL 3,  
UNCONTROLLED ENVIROMENT APPLICATIONS.
- 7 CONNECTOR MARKED WITH PART NUMBER AND DATE CODE.  
ADDITIONAL CHARACTERS OR MARKINGS, AS WELL AS THE LOCATION OF THE MARKINGS,  
MAY BE ADDED FOR TRACEABILITY BASED UPON MANUFACTURERS DISCRETION.
- 8 PLATED-THROUGH HOLES AT 2x2mm SQUARE GRID  
PATTERN DEFINED BY CONTACT LAYOUT.
- 9 FOR ACTUAL PIN LOADING SEE "CONTACT LAYOUT".
- 10 CONNECTOR LUBRICATED WITH BELCORE APPROVED LUBRICANT,  
TECHNICAL REFERENCE: TR-NWT-001217 ISSUE 1, SEP 1992.
- 11 OBSOLETE PARTS: OBSOLETE CIS STREAMLINING PER D.RENAUD/D.SINISI



CONTACT LAYOUT

e	d	c	b	a	
1	1	1	1	1	1
1	1	1	1	1	2
1	1	1	1	1	3
1	1	1	1	1	4
1	1	1	1	1	5
1	1	1	1	1	6
1	1	1	1	1	7
1	1	1	1	1	8
1	1	1	1	1	9
1	1	1	1	1	10
1	1	1	1	1	11
1	1	1	1	1	12
1	1	1	1	1	13
1	1	1	1	1	14
1	1	1	1	1	15
1	1	1	1	1	16
1	1	1	1	1	17
1	1	1	1	1	18
1	1	1	1	1	19
1	1	1	1	1	20
1	1	1	1	1	21
1	1	1	1	1	22
1	1	1	1	1	23
1	1	1	1	1	24
1	1	1	1	1	25

OBSELETE	FINISH	PART NUMBER
11	2 6 10	1-5646884-9
	2 5 10	5646884-9
	2 4	5646884-4
	2 3	5646884-1

P.C.B. HOLE DIM. ACTION PIN

DRILLED HOLE:	0.7±0.025mm
FIN. HOLE :	0.55 TO 0.65mm
Cu-thks :	0.025 TO 0.050mm
SnPb-thks :	0.004 TO 0.010mm

THIS DRAWING IS A CONTROLLED DOCUMENT.

DIMENSIONS:	TOLERANCES UNLESS OTHERWISE SPECIFIED:
mm	
0-PLC	±
1-PLC	±0.2
2-PLC	±
3-PLC	±
4-PLC	±
ANGLES	±

DIN	B CARBO	29JUL05	NAME	Z-PACK 2mm HM, TYPE A/B, 125 POSITION RIGHT ANGLE MALE CONNECTOR ASSEMBLY, INVERSE VERSION
CIK	B CARBO	29JUL05		
APVD	B CARBO	29JUL05	SIZE	CAGE CODE
PRODUCT SPEC			A1	00779
APPLICATION SPEC			WEIGHT	SCALE
				5:1
			CUSTOMER DRAWING	SHEET
				1 OF 1
				REV
				C