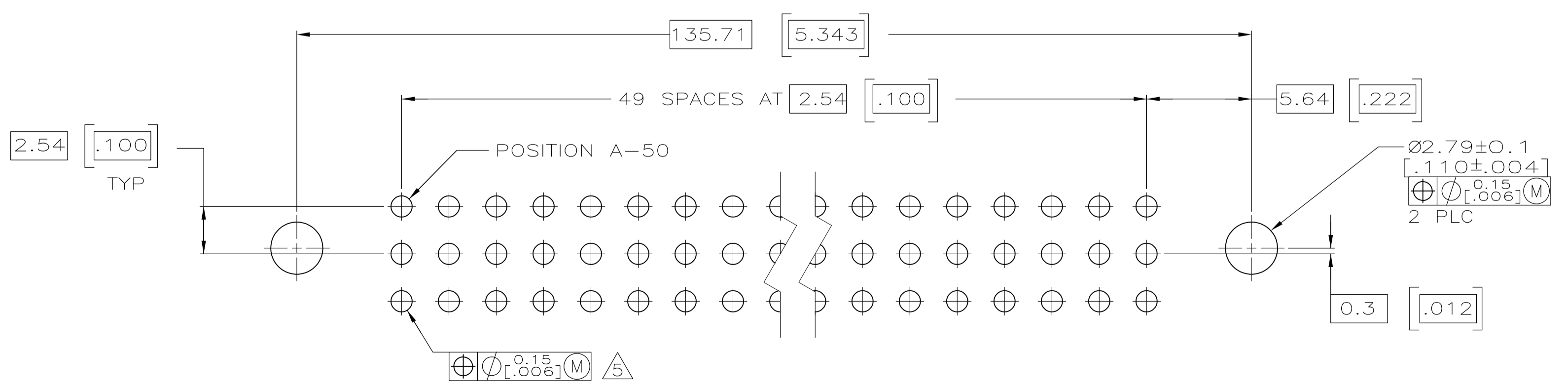
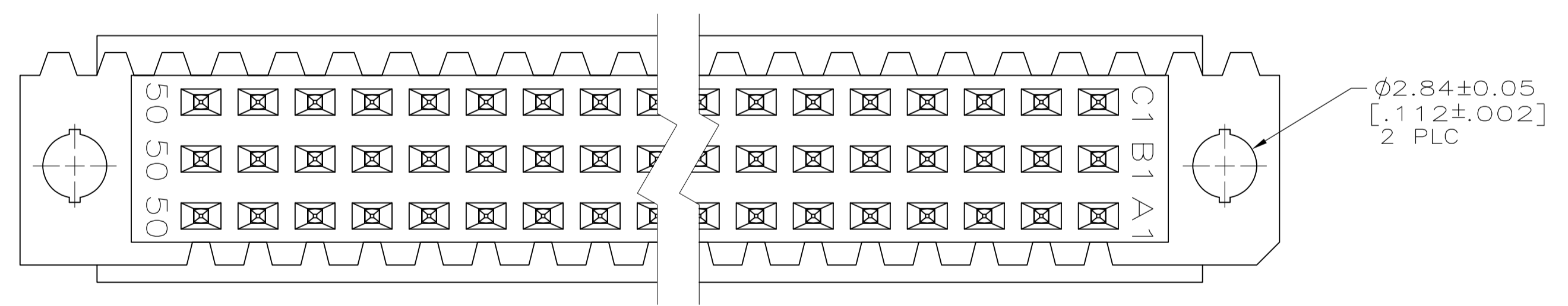
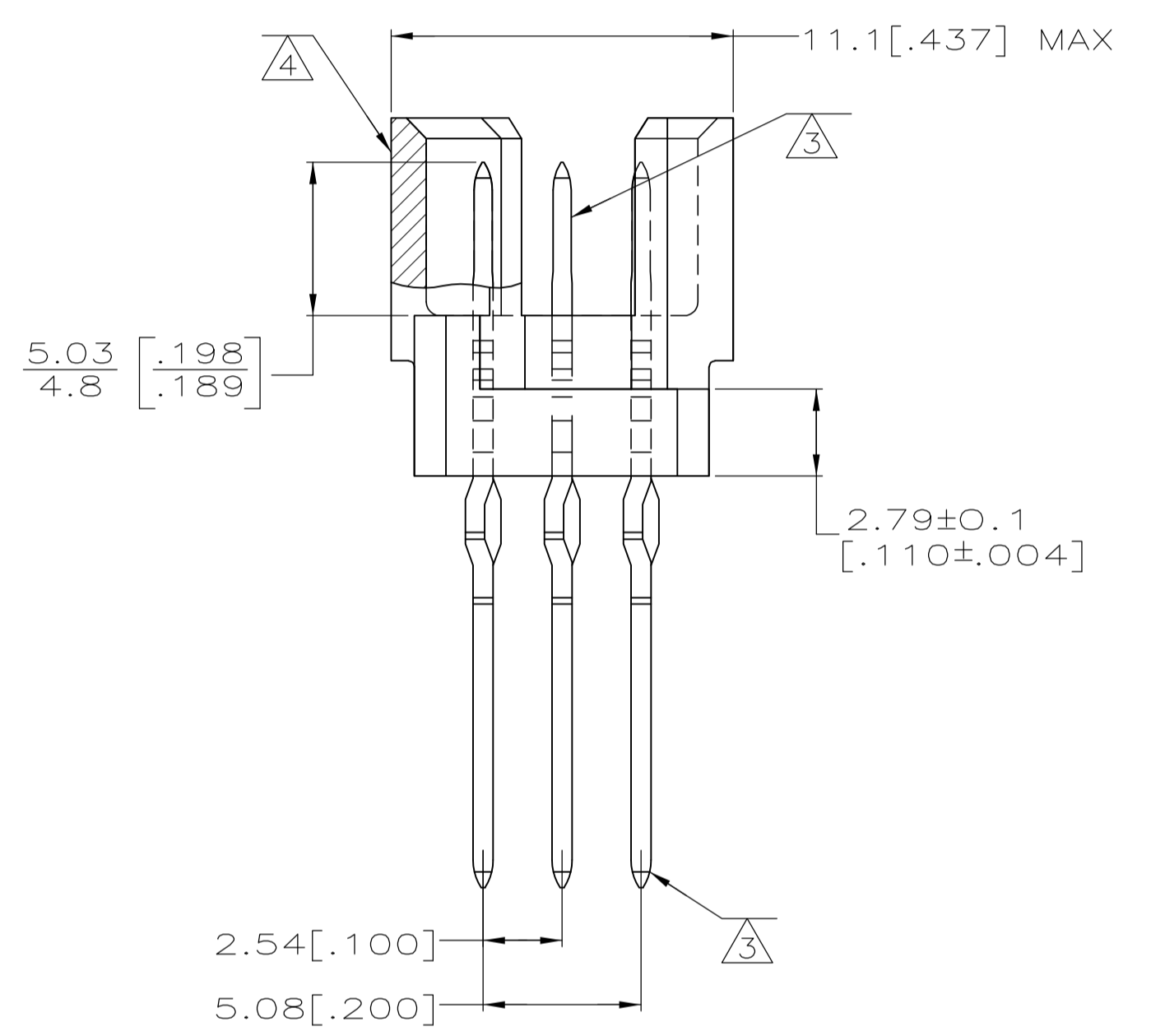
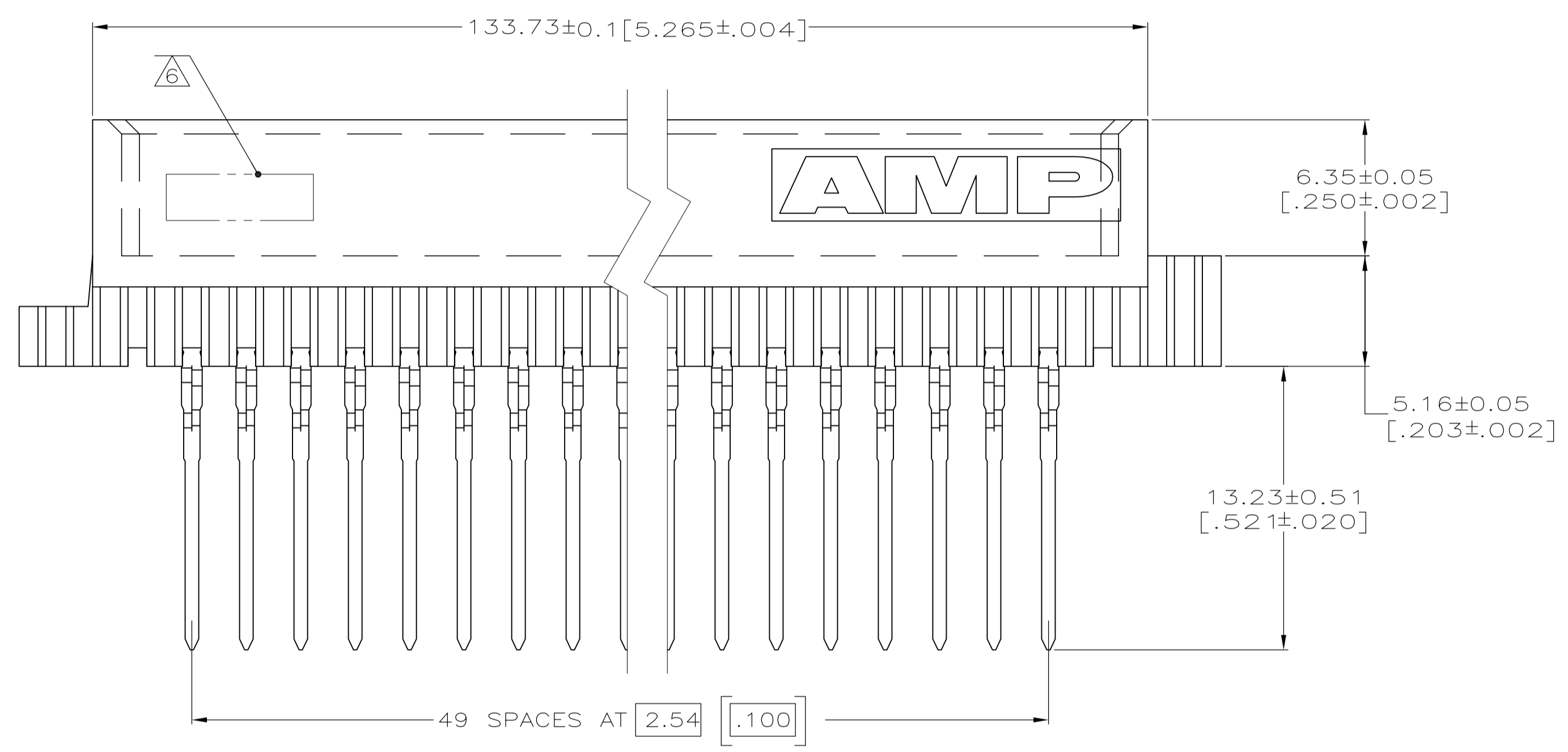


- ① HOUSING MATERIAL: GLASS-FILLED POLYMER.
- ② POST MATERIAL: COPPER ALLOY.
- ③ POST FINISH: DIN 41612 CLASS 2 IN CONTACT AREA. TIN PLATE ON POSTS.
- ④ MARKING ON THIS SIDE.
- ⑤ ACTION PIN POSTS REQUIRE 2.36 [.093] MINIMUM THICK PC BOARD. RECOMMENDED PC BOARD HOLES ARE 1.151 [.0453] DIA PLATED THROUGH WITH 0.02-0.08 [.001-.003] COPPER AND 0.008 [.0003] MINIMUM TIN-LEAD PLATING. FINISHED HOLE AFTER PLATING, 0.94-1.09 [.037-.043] DIA.
- ⑥ PART NUMBER, DATE CODE MARKED THIS APPROXIMATE AREA.



PC BOARD LAYOUT

| | | | | | |
|------------------|-------------|---|---|------------------------|------------------|
| 1-50 | X | X | X | 150 | 5650923-5 |
| POSITIONS LOADED | C | B | A | NO. OF LOADED POSITION | ASSY PART NUMBER |
| | ROWS LOADED | | | | |

THIS DRAWING IS A CONTROLLED DOCUMENT.

| | | | |
|-------------------------|--|------------------|---------------|
| DIMENSIONS: mm [INCHES] | TOLERANCES UNLESS OTHERWISE SPECIFIED: | DIN J. POLIGNONE | OSMAYOS |
| 0 PLC ± - | 1 PLC ± - | CIK A. SHARPE | OSMAYOS |
| 2 PLC ± - | 3 PLC ± 0.13 [.005] | APVD A. SHARPE | OSMAYOS |
| 4 PLC ± - | ANGLES ± - | PRODUCT SPEC | |
| MATERIAL | FINISH | APPLICATION SPEC | |
| | | SIZE | CAGE CODE |
| | | WEIGHT | DRAWING NO |
| | | | RESTRICTED TO |
| | | A1 | 00779 |
| | | C=5650923 | |
| | | CUSTOMER DRAWING | SCALE 5:1 |
| | | | SHEET 1 OF 1 |
| | | | REV A |

STE TE Connectivity

ASSEMBLY, PIN, EUROCARD, TYPE R, 150 POSITION
 13.23 [.521] PRESS-FIT POSTS