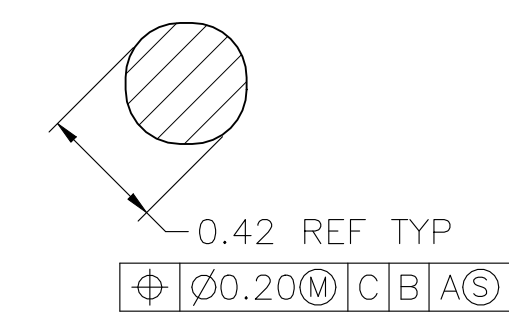
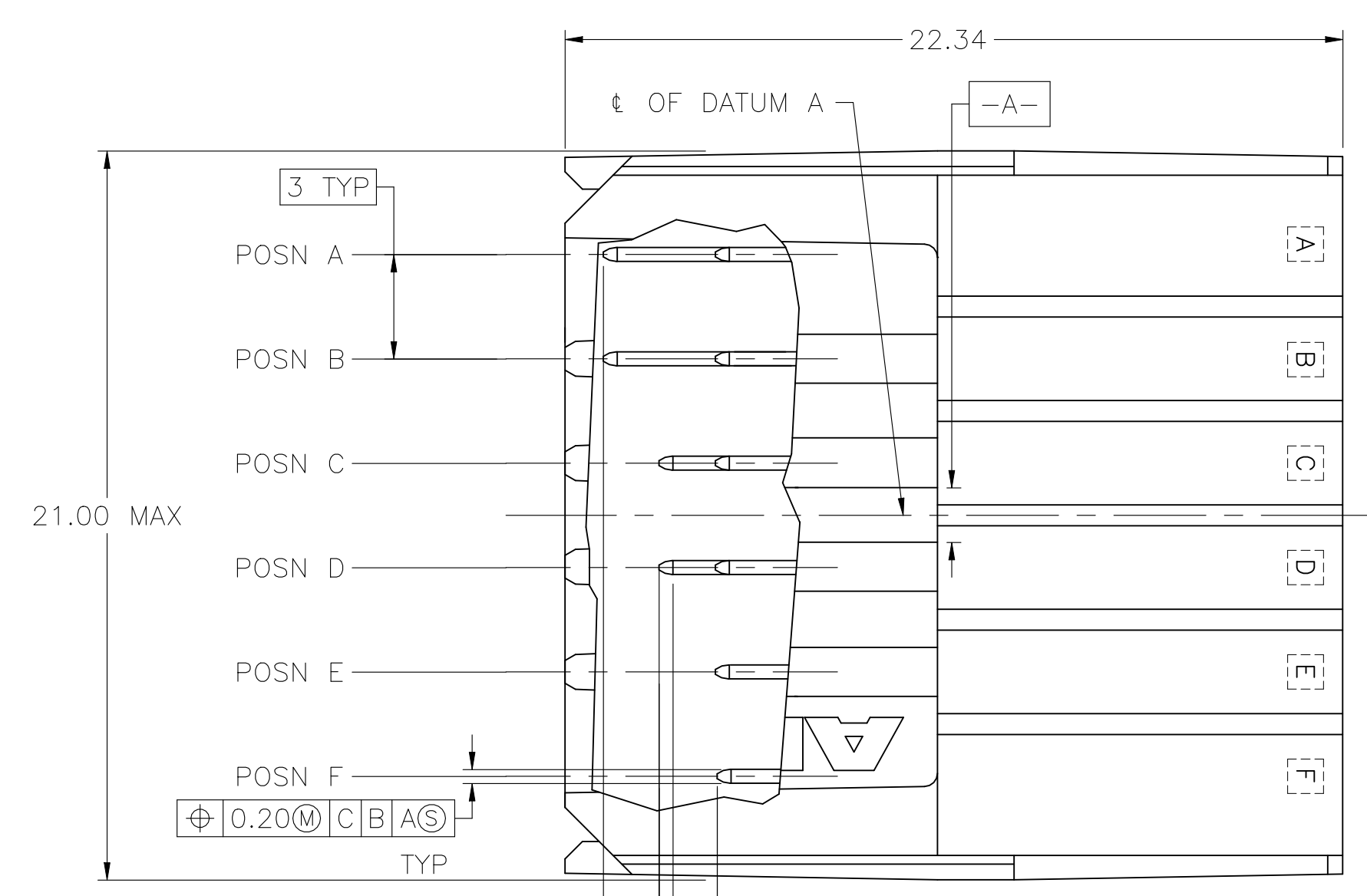
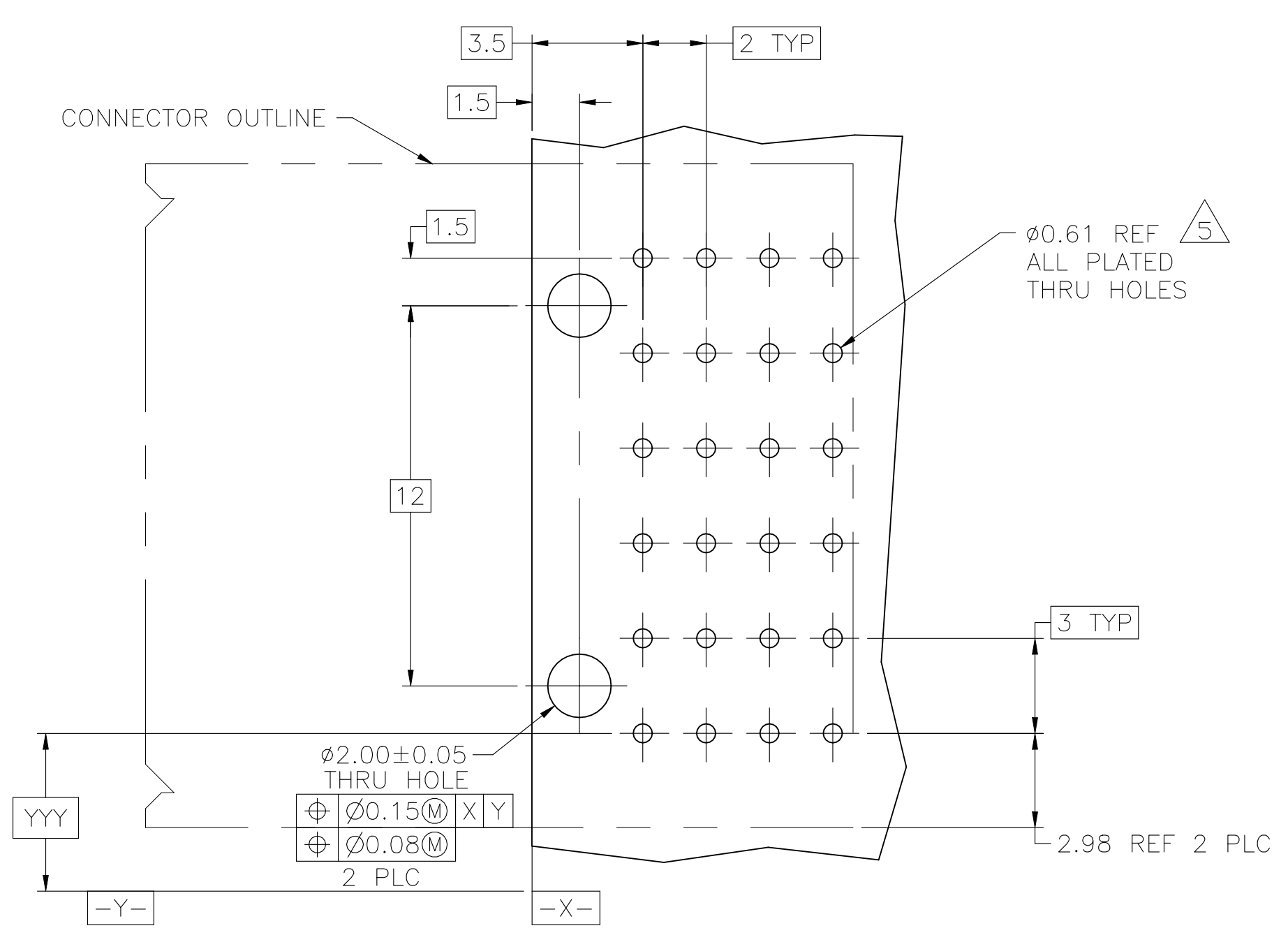
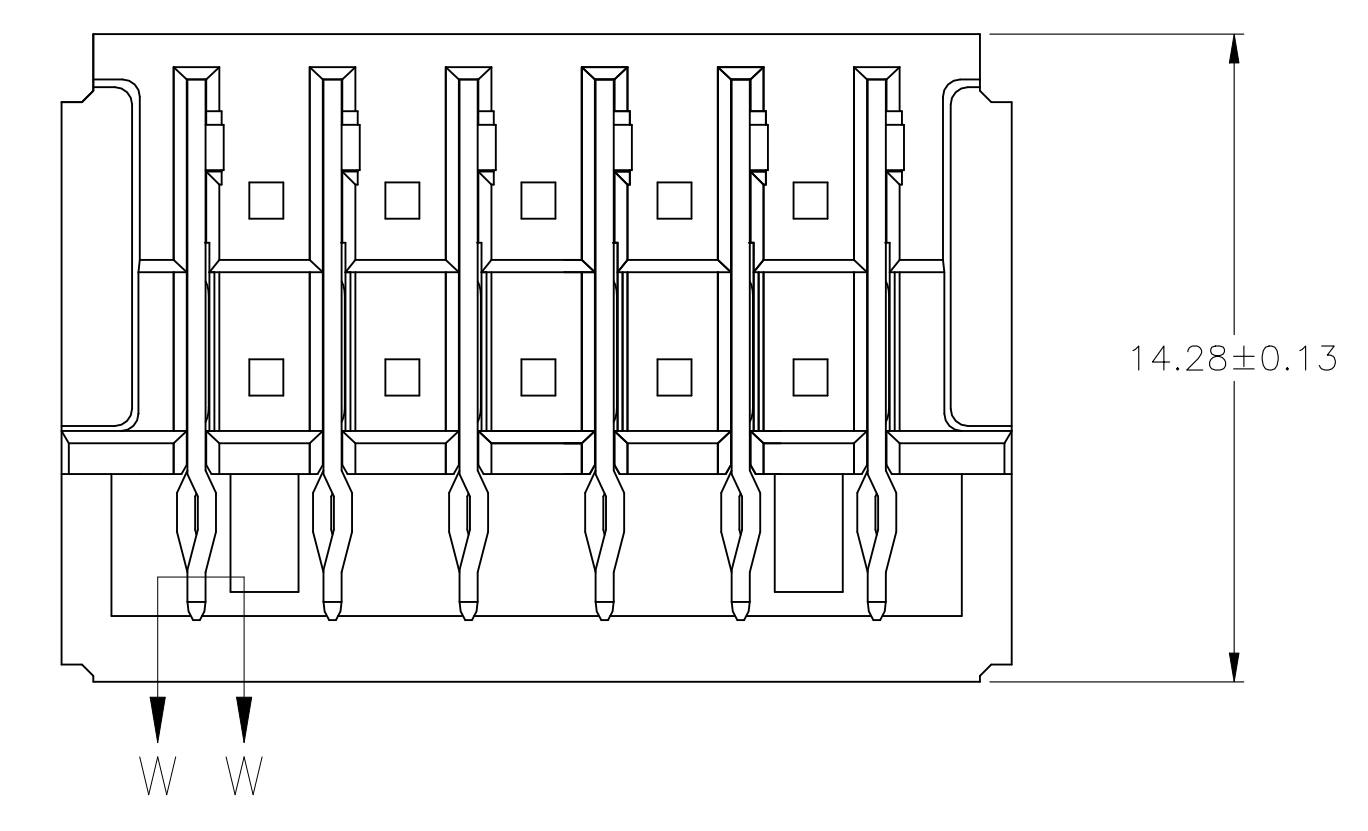
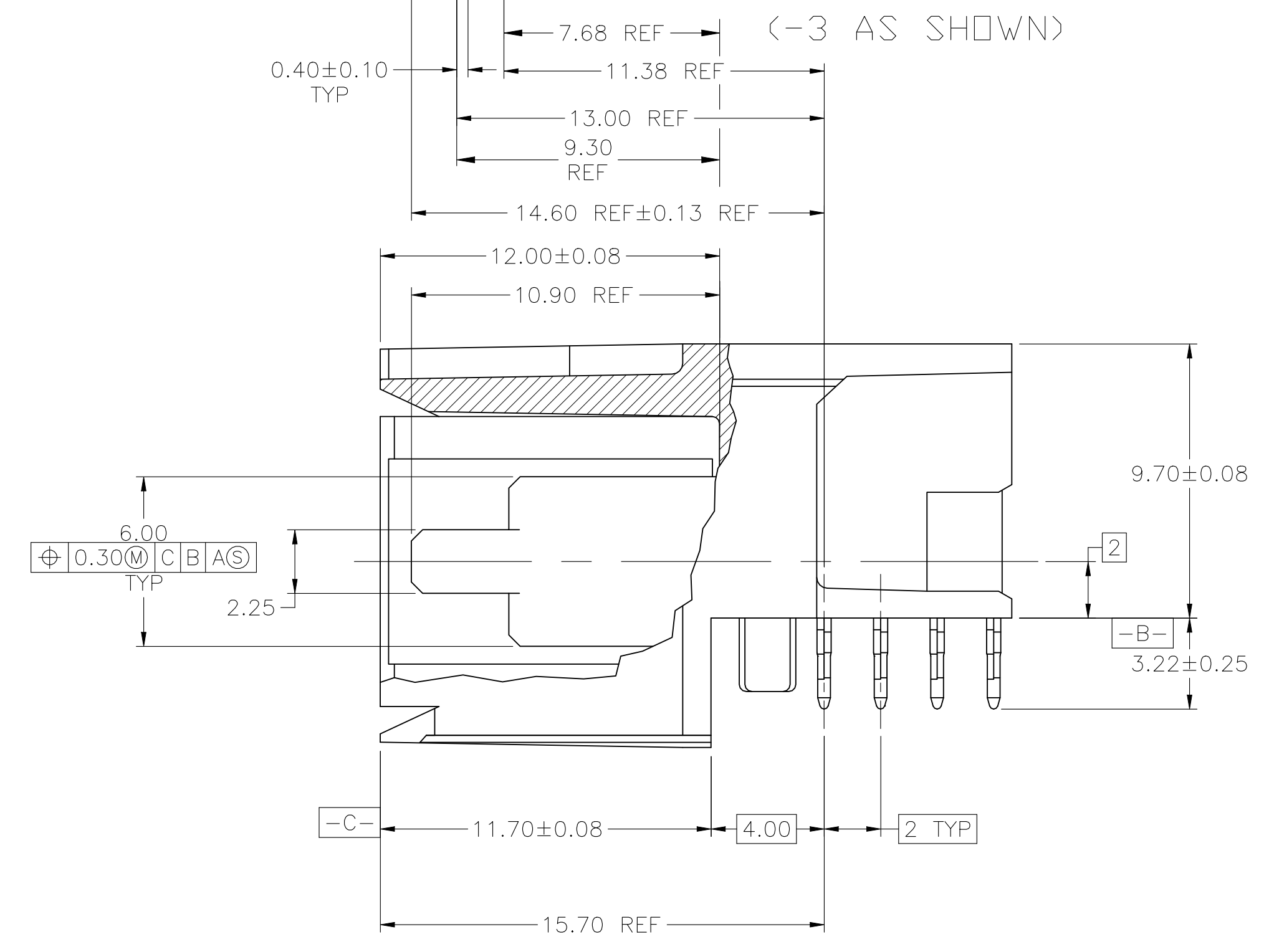
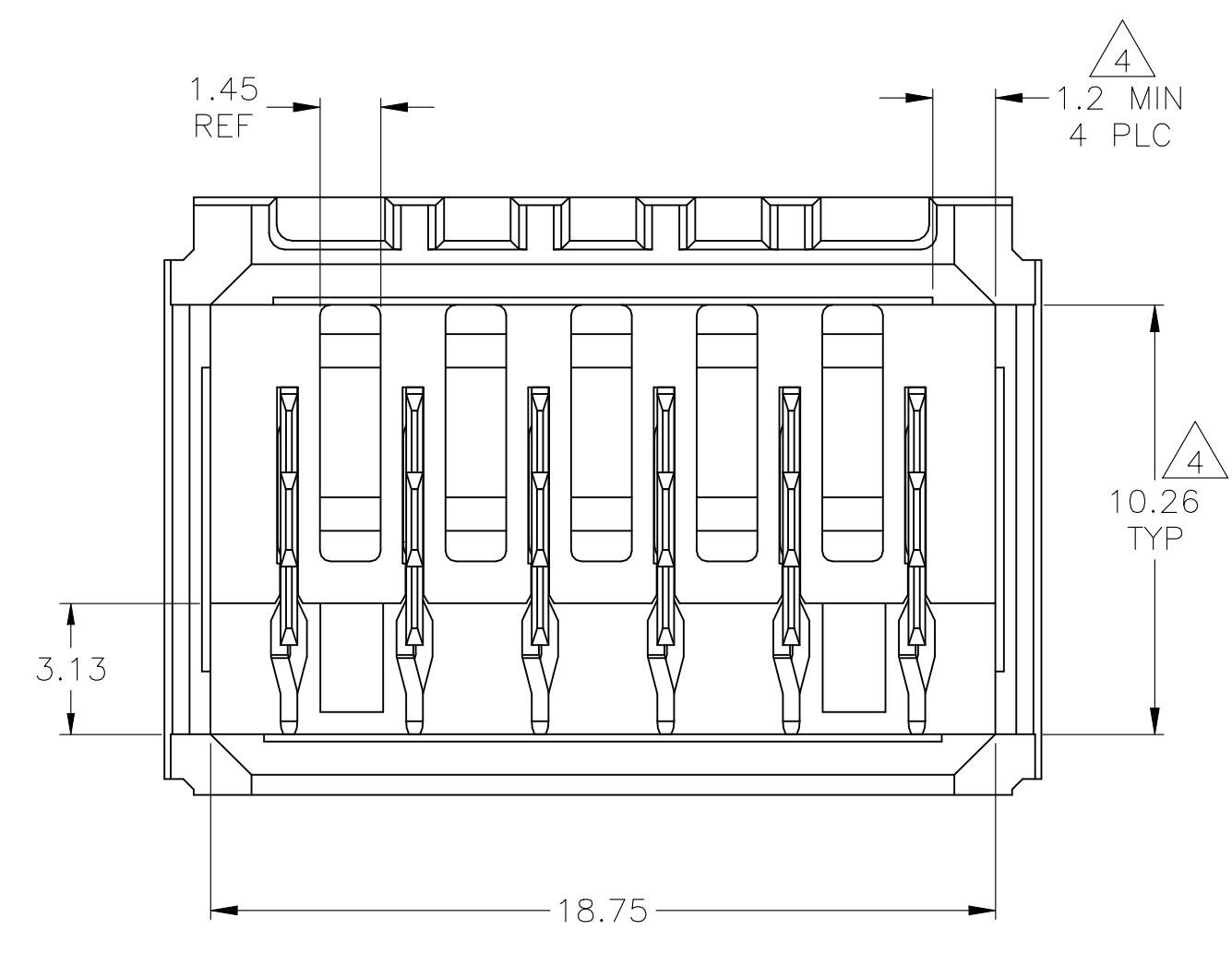


REVISIONS				
REV	DATE	DESCRIPTION	BY	APP'D
E7	17APR2023	ADDED -53	DP	HW



SECTION W-W
SCALE 40:1

- 1 MATERIAL: HOUSING: POLYESTER. COLOR: GRAY. UL 94V-0. CONTACT: COPPER ALLOY.
- 2 FINISH: IN ACCORDANCE WITH PRODUCT SPECIFICATION 108-1651, GOLD PLATING OR EQUIVALENT PLATING ON PRODUCT CONTACT MATING AREA, AND MATTE TIN PLATING ON COMPLIANT PIN AREA, ALL OVER MATTE NICKEL UNDERPLATED. DETAIL PLEASE REFER TO PRODUCT SPECIFICATION 108-1651.
- 3 FINISH: CONTACT LUBRICATION WITH BELLCORE APPROVED LUBRICANT. TECHNICAL REFERENCE: GR-1217-CORE, ISSUE 1, NOVEMBER 1995.
- 4 THE 10.26±0.13 DIMENSION APPLIES IN THIS AREA.
- 5 REFERENCE APPLICATION SPEC 114-1103 FOR RECOMMENDED PLATED THRU HOLE DIAMETER AND PLATING THICKNESS.
- 6. CURRENT RATING 10A/CONTACT PER PRODUCT SPEC 108-1651.
- 7 HALOGEN FREE PART



RECOMMENDED PCB HOLE LAYOUT

DELETED

REV	DESCRIPTION	NO OF LOADED POSITIONS	PART NUMBER
1	A,B	6	5-5646956-3
2	C,D	6	5646956-8
3	E,F	6	5646956-7
4	A,B,C,D,E,F	6	5646956-6
5	D,E,F	6	5646956-5
6	A,B	6	5646956-4
7	A,D,E,F	6	5646956-3
8	A,B	6	5646956-2
9	A,F	6	5646956-1
10	A,B,C,D,E,F	6	5646956-1

THIS DRAWING IS A CONTROLLED DOCUMENT.

DIMENSIONS: mm	TOLERANCES UNLESS OTHERWISE SPECIFIED:	DIN R. CARBO 04JAN05	NAME
0 PLC ± -	1 PLC ± -	04JAN05	R. PATTERSON
2 PLC ± 0.13	3 PLC ± -	04JAN05	R. PATTERSON
4 PLC ± -	ANGLES ± -		

MATERIAL: 1 FINISH: 2

WEIGHT: 0.000000

CUSTOMER DRAWING

SCALE: 6:1 SHEET: 1 of 1 REV: E7