



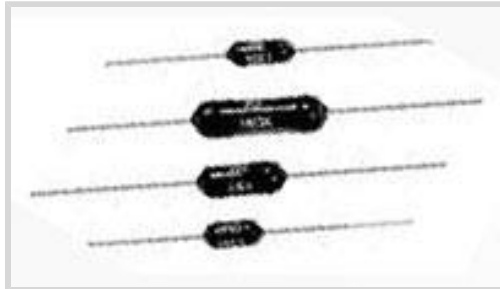
Holsworthy | Holsworthy Holco

TE Internal #: 3-1879627-7

330  $\Omega$ , Thin Film, Precision Resistor, 1 %, 10 x 3.7 mm, 2 Termination, Bandoliered, 1 W,  $\pm 100$  ppm/ $^{\circ}\text{C}$ , Copper Termination, Holsworthy Holco

[View on TE.com >](#)

Passive Components > Resistors > Through-Hole Resistors



Resistor Type: **Precision Resistor**

Passive Component Dimensions: **10 x 3.7 mm**

Number of Terminations: **2**

Packaging Method: **Bandoliered**

Passive Component Tolerance: **1 %**

## Features

### Product Type Features

Resistor Type	Precision Resistor
Element Type	Thin Film

### Configuration Features

Number of Resistors	1
---------------------	---

### Electrical Characteristics

Operating Voltage	500 V
Passive Component Tolerance	1 %
Resistance Class	Up to 1k $\Omega$
Resistance Value	330 $\Omega$
Power Rating	1 W

### Body Features

Lead Type	Axial-Leaded
-----------	--------------

### Termination Features

Number of Terminations	2
Termination Area Base Material	Copper

### Dimensions

Passive Component Dimensions	10 x 3.7 mm
------------------------------	-------------



### Usage Conditions

Operating Temperature Range	-55 – 155 °C
Temperature Coefficient	±100 ppm/°C

### Packaging Features

Packaging Method	Bandoliered
------------------	-------------

### Product Compliance

[For compliance documentation, visit the product page on TE.com>](#)

EU RoHS Directive 2011/65/EU	Compliant
EU ELV Directive 2000/53/EC	Compliant
China RoHS 2 Directive MIIT Order No 32, 2016	No Restricted Materials Above Threshold
EU REACH Regulation (EC) No. 1907/2006	Current ECHA Candidate List: JUNE 2023 (235) Candidate List Declared Against: JUNE 2023 (235) Does not contain REACH SVHC
Halogen Content	Low Halogen - Br, Cl, F, I < 900 ppm per homogenous material. Also BFR/CFR/PVC Free
Solder Process Capability	Wave solder capable to 265°C

#### Product Compliance Disclaimer

This information is provided based on reasonable inquiry of our suppliers and represents our current actual knowledge based on the information they provided. This information is subject to change. The part numbers that TE has identified as EU RoHS compliant have a maximum concentration of 0.1% by weight in homogenous materials for lead, hexavalent chromium, mercury, PBB, PBDE, DBP, BBP, DEHP, DIBP, and 0.01% for cadmium, or qualify for an exemption to these limits as defined in the Annexes of Directive 2011/65/EU (RoHS2). Finished electrical and electronic equipment products will be CE marked as required by Directive 2011/65/EU. Components may not be CE marked. Additionally, the part numbers that TE has identified as EU ELV compliant have a maximum concentration of 0.1% by weight in homogenous materials for lead, hexavalent chromium, and mercury, and 0.01% for cadmium, or qualify for an exemption to these limits as defined in the Annexes of Directive 2000/53/EC (ELV). Regarding the REACH Regulation, the information TE provides on SVHC in articles for this part number is based on the latest European Chemicals Agency (ECHA) 'Guidance on requirements for substances in articles' posted at this URL: <https://echa.europa.eu/guidance-documents/guidance-on-reach>

### Compatible Parts



TE Part # 9-1879664-1  
H8 10K 0.1% 15PPM



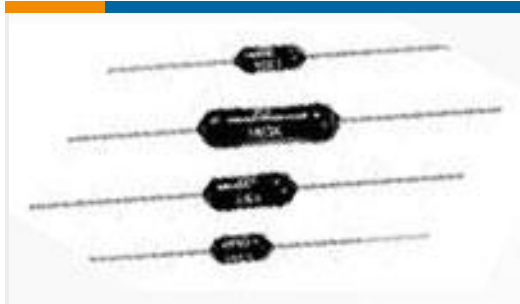
TE Part # 1879623-8  
H4 1K3 0.1% 5PPM



TE Part # 2-1879622-2  
H4P 1M0 1% 50PPM



TE Part # 5-1879642-1  
H8 5K0 0.1% 25PPM



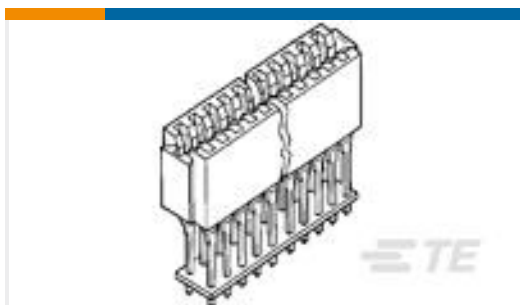
TE Part # 1879629-8  
H4P 127R 0.5% 5PPM

### Also in the Series | Holsworthy Holco

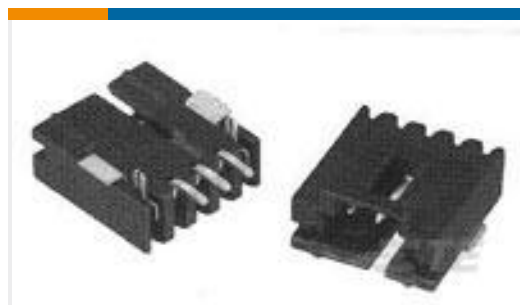


Through-Hole Resistors(6406)

### Customers Also Bought



TE Part #1-5147490-0  
Next Gen PACE Conn 10 POS 1X2



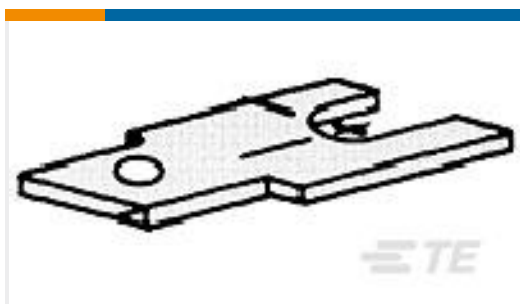
TE Part #5-147324-7  
08 MTE HDR SRRA SMT.100CL



TE Part #8-1734774-1  
PCI EXP 2.3L 64 POS BLK 15u"



TE Part #2-1879354-7  
RR03 5% 3R9 AMMO



TE Part #63633-1  
250 FASTON TAB BR



TE Part #2324171-2  
CAGE ASSEMBLY, QSFP-DD 1X1,  
SPRING



TE Part #5-146085-1  
10 SYSTEM 50 HDR SRST SHRD SN



TE Part #6450552-7  
MBXL VERT RCPT 3ACP+4P+24S



## Documents

### CAD Files

#### 3D PDF

3D

#### Customer View Model

[ENG\\_CVM\\_CVM\\_3-1879627-7\\_BA.2d\\_dxf.zip](#)

English

#### Customer View Model

[ENG\\_CVM\\_CVM\\_3-1879627-7\\_BA.3d\\_igs.zip](#)

English

#### Customer View Model

[ENG\\_CVM\\_CVM\\_3-1879627-7\\_BA.3d\\_stp.zip](#)

English

By downloading the CAD file I accept and agree to the [Terms and Conditions](#) of use.

### Datasheets & Catalog Pages

[1309350\\_PASSIVE\\_COMPONENT](#)

English

[Axial Leaded Precision Resistors - Type HOLCO Series](#)

English

[8-1773459-4\\_POWER\\_FILTERING\\_AND\\_RESISTIVE\\_SOLUTIONS\\_FOR\\_ELEVATORS\\_AND\\_ESCALATORS](#)

English