

W005L  
THRU  
W10L

**SINGLE-PHASE GLASS PASSIVATED  
SILICON BRIDGE RECTIFIER**

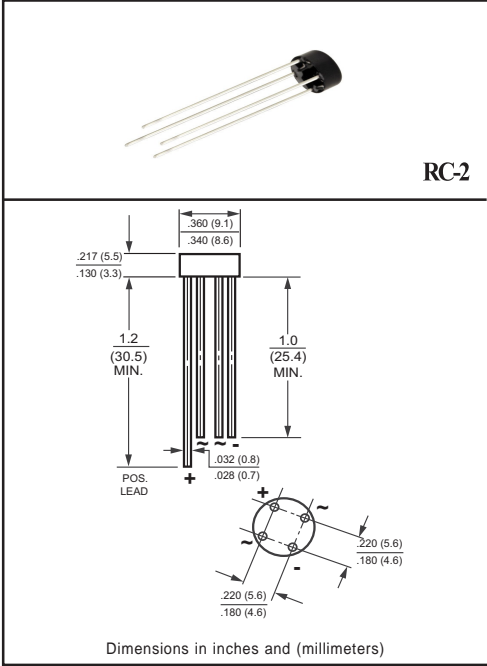
**VOLTAGE RANGE 50 to 1000 Volts CURRENT 1.5 Amperes**

**FEATURES**

- \* High reverse voltage to 1000V
- \* Surge overload ratings to 50 amperes peak
- \* Good for printed circuit board assembly
- \* Mounting position: Any
- \* Silver-plated copper leads

**MECHANICAL DATA**

- \* UL listed the recognized component directory, file #E94233
- \* Epoxy: Device has UL flammability classification 94V-O



**MAXIMUM RATINGS AND ELECTRICAL CHARACTERISTICS**  
Ratings at 25 °C ambient temperature unless otherwise specified.  
Single phase, half wave, 60 Hz, resistive or inductive load.  
For capacitive load, derate current by 20%.

MAXIMUM RATINGS (At TA = 25°C unless otherwise noted)

| RATINGS   | SYMBOL           | W005L        | W01L | W02L | W04L | W06L | W08L | W10L | UNITS               |
|---|------------------|--------------|------|------|------|------|------|------|---------------------|
| Maximum Recurrent Peak Reverse Voltage  | VRRM             | 50           | 100  | 200  | 400  | 600  | 800  | 1000 | Volts               |
| Maximum RMS Bridge Input Voltage  | VRMS             | 35           | 70   | 140  | 280  | 420  | 560  | 700  | Volts               |
| Maximum DC Blocking Voltage   | VDC              | 50           | 100  | 200  | 400  | 600  | 800  | 1000 | Volts               |
| Maximum Average Forward Rectified Output Current at TA = 50°C                                     | Io               | 1.5          |      |      |      |      |      |      | Amps                |
| Peak Forward Surge Current 8.3 ms single half sine-wave superimposed on rated load (JEDEC method) | IFSM             | 50           |      |      |      |      |      |      | Amps                |
| Typical Current Squarad Time  | I <sup>2</sup> t | 10.3         |      |      |      |      |      |      | A <sup>2</sup> /Sec |
| Operating Temperature Range   | TJ               | -55 to + 125 |      |      |      |      |      |      | °C                  |
| Storage Temperature Range   | TSTG             | -55 to + 150 |      |      |      |      |      |      | °C                  |

ELECTRICAL CHARACTERISTICS (At TA = 25°C unless otherwise noted)

| CHARACTERISTICS                                     | SYMBOL | W005L | W01L | W02L | W04L | W06L | W08L | W10L | UNITS |
|---|--------|-------|------|------|------|------|------|------|-------|
| Maximum Forward Voltage Drop per element at 1.5A DC | VF     | 1.0   |      |      |      |      |      |      | Volts |
| Maximum Reverse Current at Rated                    | IR     | 1.0   |      |      |      |      |      |      | uAmps |
| DC Blocking Voltage per element                     |        | 1.0   |      |      |      |      |      |      | mAmps |

## RATING AND CHARACTERISTIC CURVES ( W005L THRU W10L )

FIG. 1 - MAXIMUM NON-REPETITIVE FORWARD SURGE CURRENT

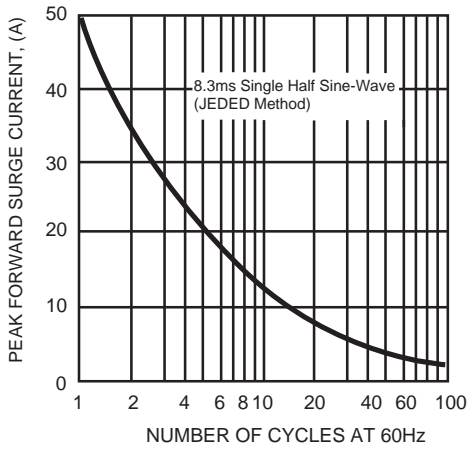


FIG. 2 - TYPICAL FORWARD CURRENT DERATING CURVE

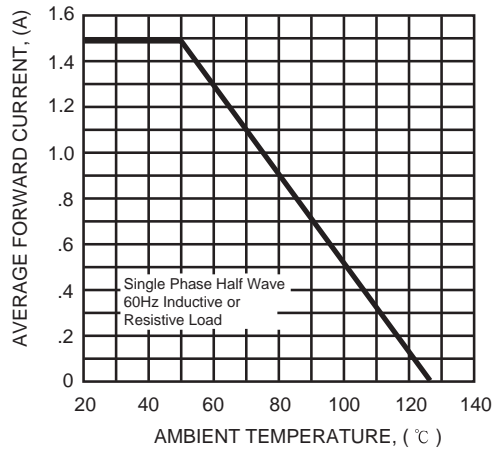


FIG. 3 - MAXIMUM INSTANTANEOUS FORWARD CHARACTERISTICS

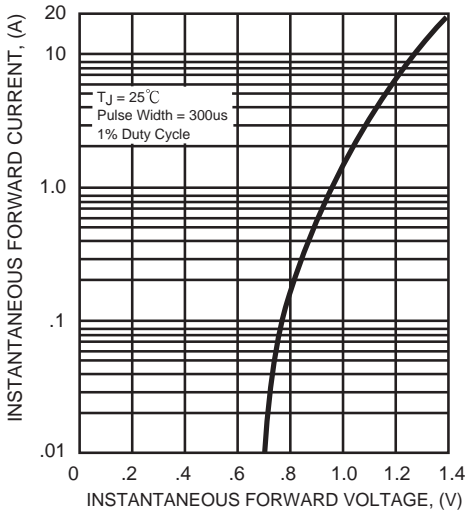
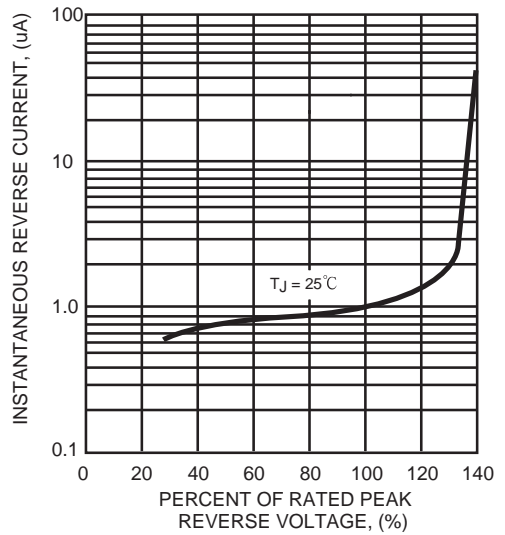


FIG. 4 - MAXIMUM REVERSE CHARACTERISTICS

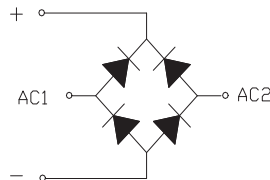




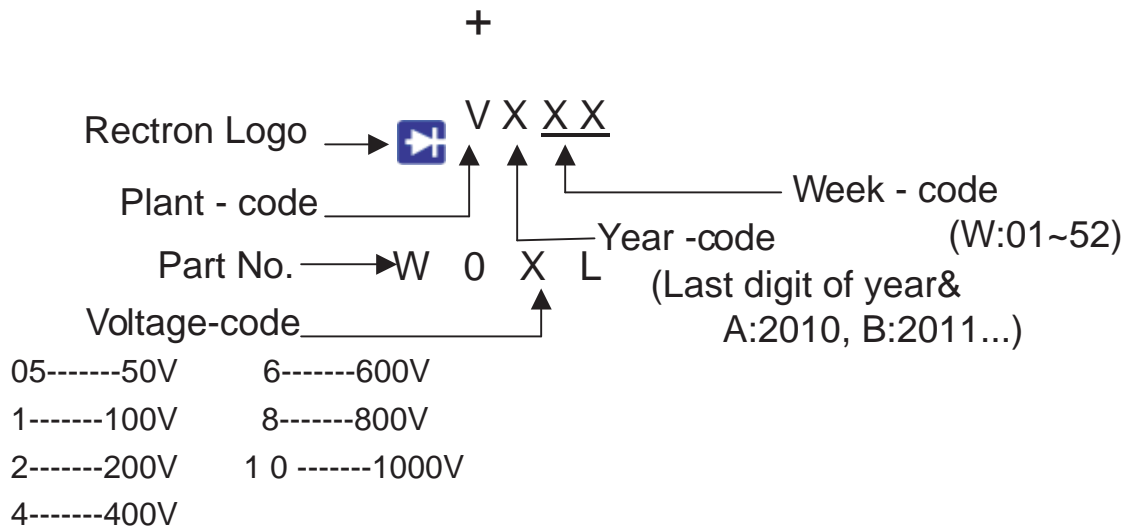
# RECTRON

## Attachment information about W0XXL

### 1. Internal Circuit



### 2. Marking on the body



### 3. Items marked on the innerbox and carton

#### 3.1 On the box (for-B)

CUSTOMER  
TYPE  
LOT NO.  
QUANTITY  
Q.A.  
DATE

#### 3.2 On the carton

CUSTOMER  
TYPE  
QUANTITY  
LOT NO.  
REMARK

# PACKAGING OF DIODE AND BRIDGE RECTIFIERS

## BULK PACK

| PACKAGE | PACKING CODE | EA PER BOX | INNER BOX SIZE<br>(mm) | CARTON SIZE<br>(mm) | EA PER CARTON | GROSS<br>WEIGHT(Kg) |
|---------|--------------|------------|------------------------|---------------------|---------------|---------------------|
| RC-2    | -B           | 1,000      | 165*252*59             | 347*320*271         | 10,000        | 11.6                |

## DISCLAIMER NOTICE

Rectron Inc reserves the right to make changes without notice to any product specification herein, to make corrections, modifications, enhancements or other changes. Rectron Inc or anyone on its behalf assumes no responsibility or liability for any errors or inaccuracies. Data sheet specifications and its information contained are intended to provide a product description only. "Typical" parameters which may be included on RECTRON data sheets and/ or specifications can and do vary in different applications and actual performance may vary over time. Rectron Inc does not assume any liability arising out of the application or use of any product or circuit.

Rectron products are not designed, intended or authorized for use in medical, life-saving implant or other applications intended for life-sustaining or other related applications where a failure or malfunction of component or circuitry may directly or indirectly cause injury or threaten a life without expressed written approval of Rectron Inc. Customers using or selling Rectron components for use in such applications do so at their own risk and shall agree to fully indemnify Rectron Inc and its subsidiaries harmless against all claims, damages and expenditures.