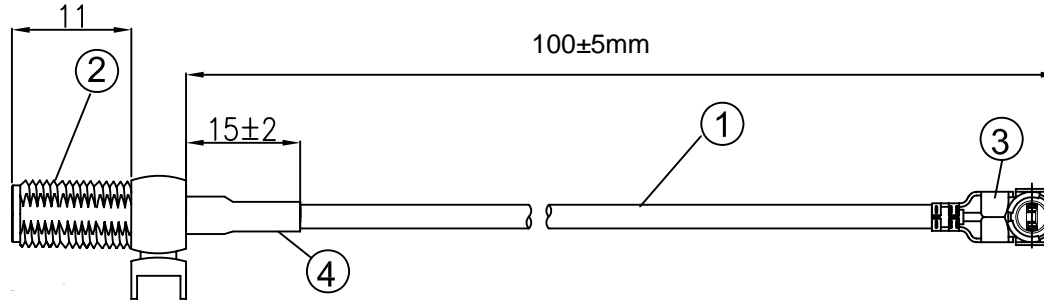


Kinghelm®

型号: KH-I PEX-SMAKWE-RG137-Q100MM



NOTES:

1. ELECTRICAL:
 - 1.1. VOLTAGE RATING:DCV 300V 10MS
 - 1.2. CONDUCTANCE RESISTANCE: 3.0 OHM/MAX.
 - 1.3. INSULATION RESISTANCE: 5.0M OHM/MIN.
 - 1.4. THE CABLE SHOULD BE 100% ELECTRICAL TEST
 - 1.5. IT SHOULD BE NO ANY OPEN/SHORT, MISWIRING AND INTERMITTENT FAILURES.
2. MATERIAL:
 - 2.1. SEE TABLE
3. ALL COMPONENTS ARE RoHS COMPLIANT.

| ITEM NO. | PART NUMBER | DESCRIPTION | QTY. |
|----------|-------------|------------------------------|------|
| ④ | 套管 | 黑色热缩套管, OD:2.0MM | AS |
| ③ | 端子 | 高仿I-PEX, 1.37端子, 镀金 | 1 |
| ② | 接头 | SMA母头母针, 带4个脚, 11牙, 镀金, 外螺内孔 | 1 |
| ① | 同轴线 | RF1.37黑线, OD: 1.37mm | AS |

深圳市金航标电子有限公司

WWW.BDS666.COM

KH-I PEX-SMAKWE-RG137-Q100MM

0755-83044319

ALL DIMENSION
ARE IN MM

DRAWN James DATE 2020-04-15

CHKD. Frank 2020-04-15

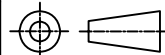
COMPUTER GENERATED
IN SOLIDWORKS

APPD. Scott 2020-04-15

DO NOT SCALE
THIS DRAWING

I-PEX1.37 TO SMA /F L=100mm

PROJECTION



GENERAL TOLERANCE FOR
ANGLES X.X X.XX X.XXX
± 1° ± 0.3 ± 0.25 ± 0.150

SIZE Number

B

REV

A

SCALE: Free

TYPE

SHEET 1 OF 1

CUSTOMER P/N: