

Ultra-Low Jitter, Fixed-Frequency SMD Clock Oscillator

AK3A

Request Samples



Check Inventory



ESD Sensitive



3.2 x 2.5 x 1.0 mm

RoHS/RoHS II Compliant

MSL Level = N/A

Features

- Exceptionally Low RMS Jitter: 83fs Typ (LVDS @ 156.25MHz)
- Available in industry standard frequencies between 100MHz & 212.5MHz
- ± 25 ppm stability over industrial operating temperature (-40°C to +85°C)
- 2.5V, 3.3V, 2.25V to 3.63V Continuous supply voltage options
- LVPECL, LVDS, HCSL differential output logic
- Industry standard 3.2 x 2.5 x 1.0 mm footprint
- Based on 3rd overtone, quartz crystal technology
- Available in Abracon's global distribution network
- Output Enable (Pad 1 or Pad 2 Active High) options available

Applications

- Optical Transceivers and Modules
- Data Centers, Storage, and Servers
- Networking switches and gateways
- 100G/200G/400G/800G Ethernet
- Fibre Channel/SONET/SDH/PCIE
- Industrial and FPGA applications
- Test & measurement

Key Electrical Specifications

| Parameters | Min. | Typ. | Max. | Unit | Notes |
|--|--|------------|-------|------|--|
| Frequency Range | 100 | | 212.5 | MHz | |
| Standard Available Frequencies | 100.000, 114.285, 122.880, 125.000, 148.500, 150.000, 155.520, 156.250, 200.000, & 212.500 | | | MHz | Contact Abracon for availability of frequencies not listed |
| Supply Voltage (Vdd) ^[Note 1] | 2.97 | 3.3 | 3.63 | V | Option "A" |
| | 2.375 | 2.5 | 2.625 | | Option "B" |
| | 2.375 | | 3.63 | | Option "D" |
| Supply Current (Idd) | LVPECL | 40 | 60 | mA | @ 200MHz; @ Vdd=3.3V |
| | LVDS | 17 | 35 | | @ 200MHz; @ Vdd=3.3V |
| | HCSL | 27 | 40 | | @ 200MHz; @ Vdd=3.3V |
| Operating Temperature Range | -20 | | 70 | °C | Option "D" |
| | -40 | | 85 | | Option "F" or "Q" |
| Storage Temperature | -55 | | 125 | °C | |
| Frequency Tolerance ^[Note 2] | -10 | < ± 5 | 10 | ppm | |
| Frequency Stability over Operating Temperature Range ^[Note 3,4] | -15 | < ± 10 | 15 | ppm | Option "D" (-20°C to +70°C) |
| | -20 | < ± 15 | 20 | | Option "Q" (-40°C to +85°C) |
| | -25 | < ± 20 | 25 | | Option "F" (-40°C to +85°C) |
| First Year Aging | -3 | | 3 | ppm | At 25°C |
| All-Inclusive Frequency Accuracy (Total Stability) ^[Notes 5] | -40 | | 40 | ppm | Option "D" (-20°C to +70°C) |
| | -45 | | 45 | | Option "Q" (-40°C to +85°C) |
| | -50 | | 50 | | Option "F" (-40°C to +85°C) |
| Rise (Tr) / Fall (Tf) Time ^[Notes 6] | LVPECL | 0.2 | 0.4 | ns | @ Vdd=3.3V, RL=50Ω |
| | | 0.2 | 0.4 | | @ Vdd=3.3V, RL=100Ω |
| | LVDS | 0.2 | 0.4 | | @ Vdd=2.5V, RL=100Ω |
| | | 0.5 | 0.8 | | @ Vdd=3.3V, RL=50Ω to GND |
| | | 0.5 | 0.8 | | @ Vdd=2.5V, RL=50Ω to GND |
| HCSL | 0.5 | 0.8 | | | |
| Duty Cycle | 45 | | 55 | % | |
| Start-up Time ^[Note 3] | | < 2 | 5 | ms | |

Note 1: Supply voltage (Vdd) = 2.5V and 2.375~3.63V options not available with LVPECL output

Note 2: Frequency Accuracy (Initial Set-Tolerance), at time of shipment (pre-reflow), relative to carrier frequency, @ +25°C

Note 3: Relative to initial measured frequency @ +25°C

Note 4: Option Q only available in select frequencies. Please contact Abracon for availability

Note 5: Includes post reflow frequency accuracy, temperature stability, load pulling, power supply variation, and 10-year aging

Note 6: Measured over 20% to 80% of waveform



5101 Hidden Creek Ln Spicewood TX 78669
 Phone: 512-371-6159 | Fax: 512-351-8858
 For terms and conditions of sales, please visit:
www.abracon.com

REVISED: 09-27-22

ABRACON IS
 ISO9001-2015
 CERTIFIED

Ultra-Low Jitter, Fixed-Frequency SMD Clock Oscillator

AK3A

Request Samples



Check Inventory



ESD Sensitive



3.2 x 2.5 x 1.0 mm
RoHS/RoHS II Compliant
MSL Level = N/A

| Parameters | | Min. | Typ. | Max. | Unit | Notes | |
|---|--------|-------------------|------------------------|-----------------------|-----------------------|--|---|
| Differential Output High Voltage (VOH) Output Low Voltage (VOL) | LVPECL | VOH | V _{dd} -1.025 | V _{dd} -0.95 | V _{dd} -0.88 | V | R _L =50Ω to V _{dd} -2.0V |
| | | VOL | V _{dd} -1.81 | V _{dd} -1.7 | V _{dd} -1.62 | | |
| | LVDS | VOH | | 1.43 | 1.60 | | R _L =100Ω between both outputs |
| | | VOL | 0.90 | 1.10 | | | |
| | HCSL | VOH | 0.50 | 0.74 | 0.85 | | R _L =50Ω to ground on each output |
| | | VOL | -0.15 | 0.00 | 0.15 | | |
| Output Voltage Swing (Vopp) | | | 0.400 | | V | LVPECL | |
| | | | 0.250 | 0.350 | | 0.450 | LVDS |
| | | | 0.500 | 0.700 | | 0.850 | HCSL |
| Output Enable & Disable Control | | | 0.7*(V _{dd}) | | V | Output Enable or No Connect | |
| | | | | | | 0.3*(V _{dd}) | Output Disable (High Impedance) |
| Output Enable Time | | | < 1 | 5.0 | ms | | |
| Output Disable Time | | | | 0.2 | μs | | |
| Output Disable Current Consumption | | | | 10 | μA | OE ≤ 0.3V | |
| RMS Phase Jitter (12kHz to 20MHz from Carrier) | | See Table 1 below | | | | V _{dd} , output logic type and Carrier frequency dependent | |

Table 1
RMS Phase Jitter 12kHz – 20MHz BW, V_{dd}=3.3V [Note 7, 8, 9]

| Frequency (MHz) | Output | RMS Jitter | |
|-----------------|--------|------------|----------|
| | | Typ. (fs) | Max (fs) |
| 100 | LVDS | 184 | 200 |
| | LVPECL | 166 | 200 |
| | HCSL | 152 | 175 |
| 125 | LVDS | 118 | 150 |
| | LVPECL | 94 | 125 |
| | HCSL | 90 | 115 |
| 156.25 | LVDS | 83 | 125 |
| | LVPECL | 64 | 100 |
| | HCSL | 71 | 100 |
| 200 | LVDS | 55 | 100 |
| | LVPECL | 75 | 100 |
| | HCSL | 70 | 100 |
| 212.5 | LVDS | 54 | 100 |
| | LVPECL | 72 | 100 |
| | HCSL | 70 | 100 |

Note 7: Guaranteed by characterization; RMS Phase Jitter specifications are inclusive of any spurs

Note 8: Phase jitter measured with Keysight E5052B Signal Source Analyzer

Note 9: Refer to the next section for phase noise test setup and representative phase noise plots



5101 Hidden Creek Ln Spicewood TX 78669
Phone: 512-371-6159 | Fax: 512-351-8858
For terms and conditions of sales, please visit:
www.abracon.com

REVISED: 09-27-22

ABRACON IS
ISO9001-2015
CERTIFIED

Ultra-Low Jitter, Fixed-Frequency SMD Clock Oscillator

AK3A

Request Samples



Check Inventory



ESD Sensitive



3.2 x 2.5 x 1.0 mm
RoHS/RoHS II Compliant
MSL Level = N/A

Absolute Maximum Ratings ^[Note 10]

| Parameters | Min. | Typ. | Max. | Unit | Notes |
|--|---------------------------|------|----------------------|------|---------------------|
| Supply Voltage | V _{SS} -0.5 | | 5 | V | |
| Input Voltage | V _{DD} -0.5 | | V _{DD} +0.5 | V | |
| Output Voltage | V _{DD} -0.5 | | V _{DD} +0.5 | V | |
| Maximum Junction Operating Temperature | | | 150 | °C | |
| Ambient Operating Temperature Range | -40 | | 85 | °C | Industrial |
| Ambient Operating Temperature Range | -20 | | 70 | °C | Extended Commercial |
| Reflow Temperature | | | 260 | °C | See Reflow Profile |
| ESD Protection | 4kV HBM, 300V MM, 2kV CDM | | | | |

Note 10: Stresses above those listed under “Absolute Maximum Ratings” may cause permanent damage to the device. This is a stress rating only and functional operation of the device at those or any other conditions above those indicated in the operational sections of this specification is not intended. Exposure to maximum rating conditions for extended periods may affect device reliability. The data sheet limits are not guaranteed if the device is operated beyond the recommended operating conditions.

Ultra-Low Jitter, Fixed-Frequency SMD Clock Oscillator

AK3A

Request Samples



Check Inventory

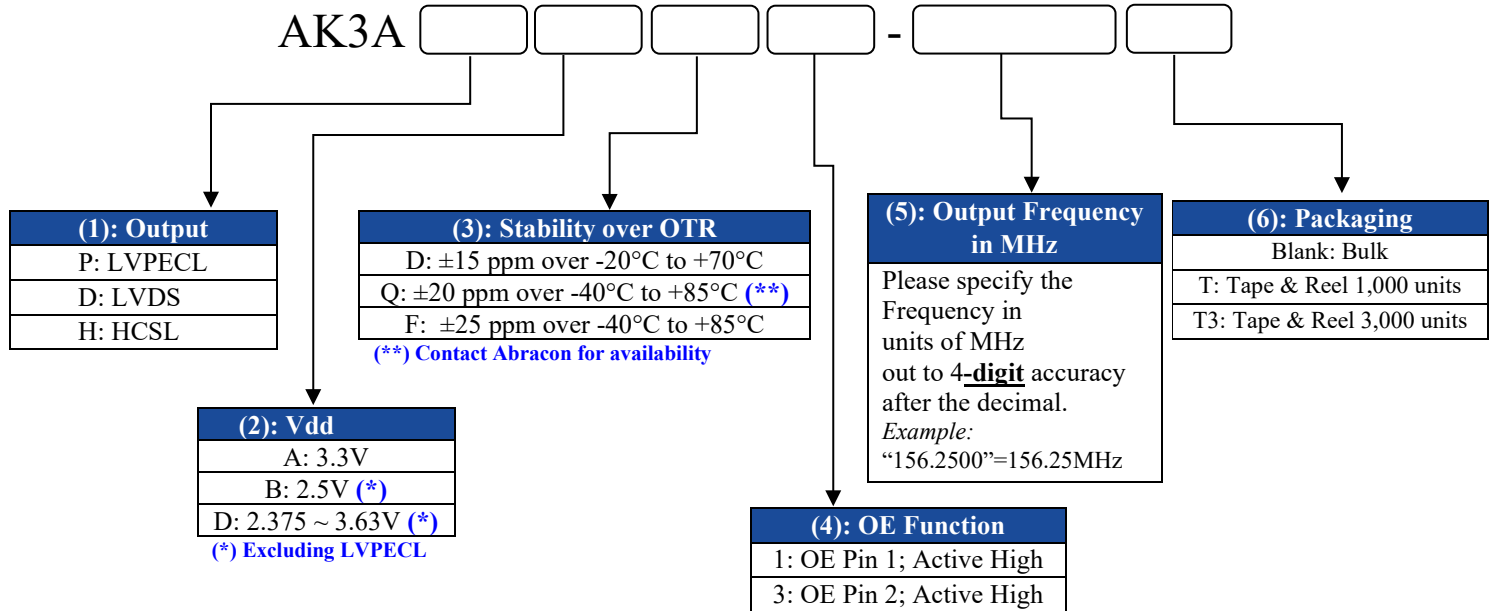


ESD Sensitive



3.2 x 2.5 x 1.0 mm
RoHS/RoHS II Compliant
MSL Level = N/A

Options and Part Identification ^[Note 11]



Part Number Example:

AK3APAF1-156.2500
AK3APAF1-156.2500T
AK3APAF1-156.2500T3

Note 11: Contact Abracon for non-standard part number configurations and/or requests with carrier frequency callouts up to 5 & 6 digit accuracy after the decimal



5101 Hidden Creek Ln Spicewood TX 78669
Phone: 512-371-6159 | Fax: 512-351-8858
For terms and conditions of sales, please visit:
www.abracon.com

REVISED: 09-27-22

ABRACON IS
ISO9001-2015
CERTIFIED

Ultra-Low Jitter, Fixed-Frequency SMD Clock Oscillator

AK3A

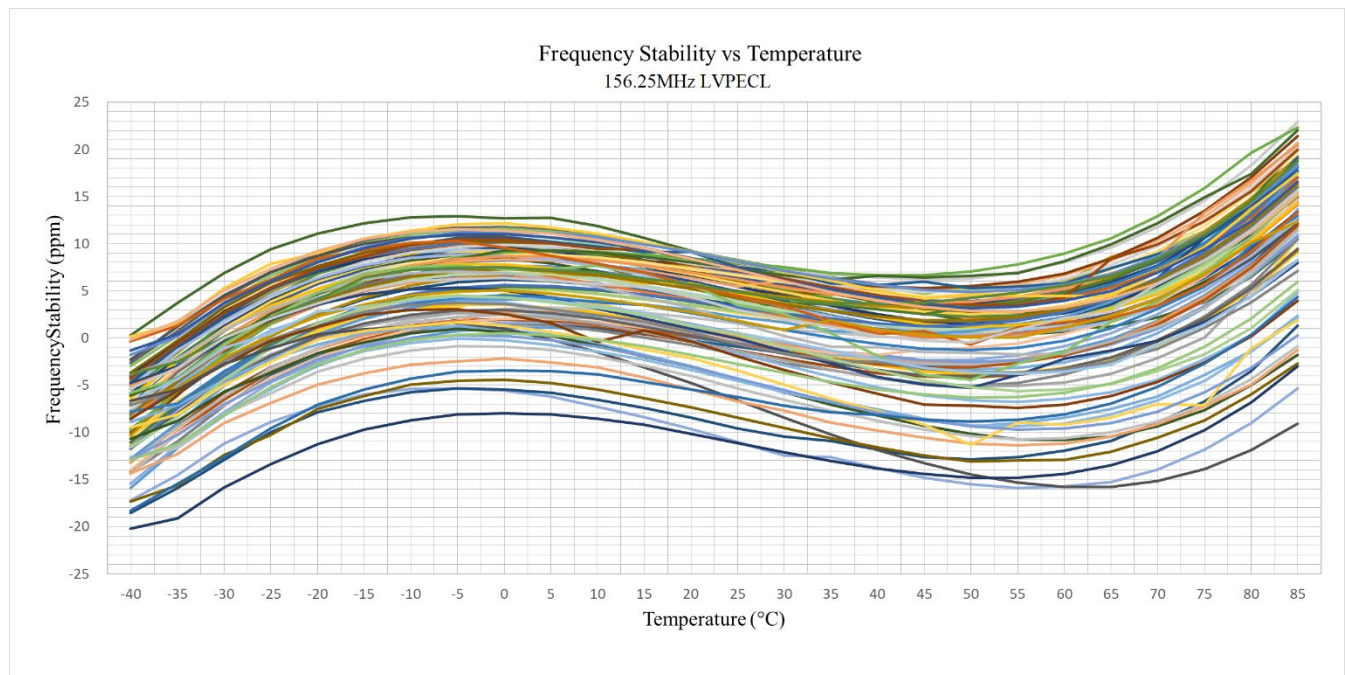
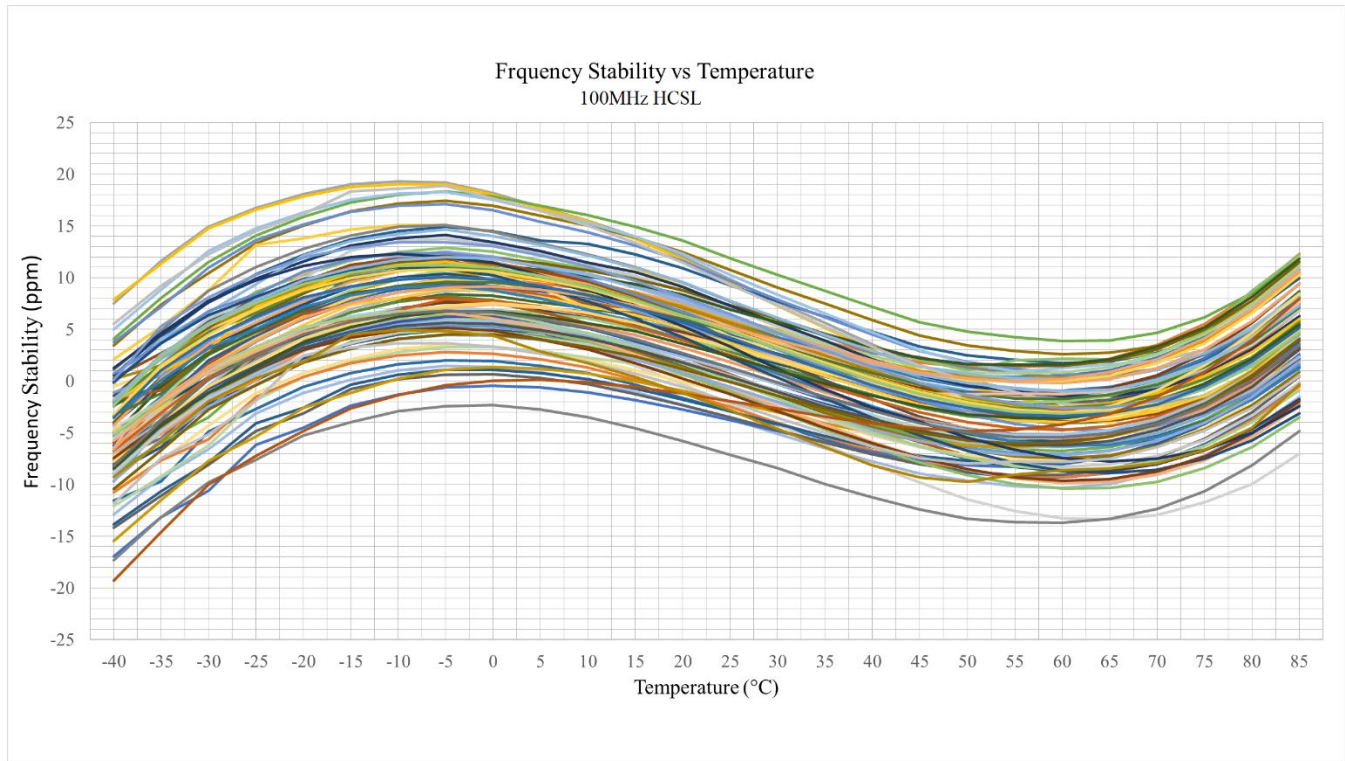
Request Samples 

Check Inventory 



3.2 x 2.5 x 1.0 mm
RoHS/RoHS II Compliant
MSL Level = N/A

Typical Frequency vs. Temperature Characteristics



5101 Hidden Creek Ln Spicewood TX 78669
Phone: 512-371-6159 | Fax: 512-351-8858
For terms and conditions of sales, please visit:
www.abracon.com

REVISED: 09-27-22

ABRACON IS
ISO9001-2015
CERTIFIED

Ultra-Low Jitter, Fixed-Frequency SMD Clock Oscillator

AK3A

Request Samples



Check Inventory



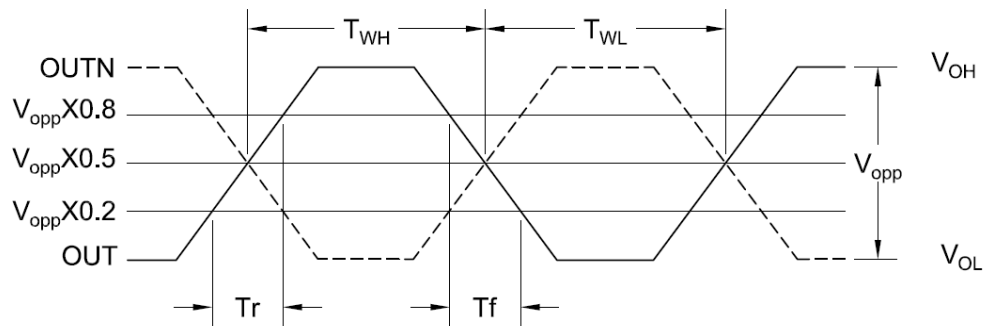
ESD Sensitive



3.2 x 2.5 x 1.0 mm
RoHS/RoHS II Compliant
MSL Level = N/A

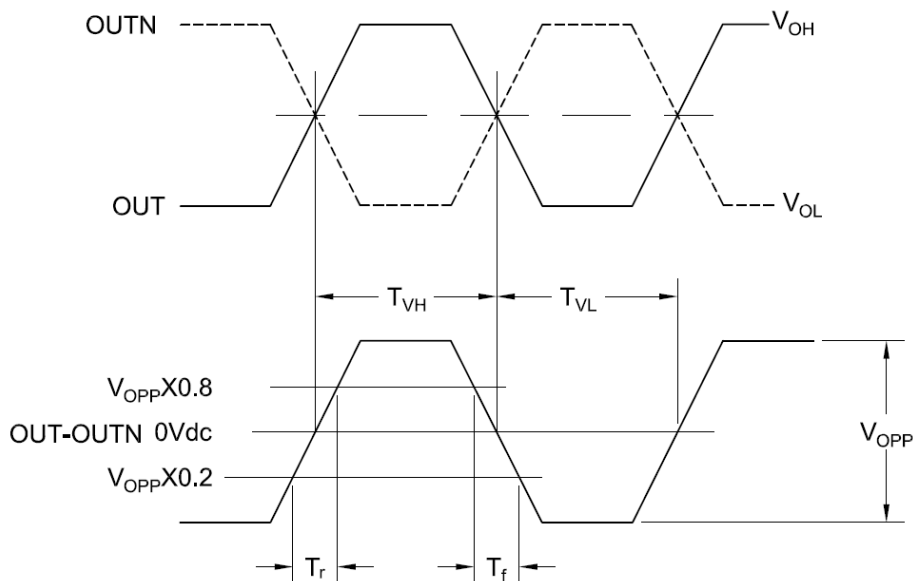
Differential Output Waveform

LVPECL: Output Wave Form (Duty, Tr, Tf)



$$\text{Duty Cycle} = \frac{T_{WH}}{T_{WH} + T_{WL}} \times 100\%$$

LVDS: Output Wave Form (Duty, Tr, Tf, VOH, VOL, VOpp)



$$\text{Duty} = \frac{T_{VH}}{T_{VH} + T_{VL}} \times 100\%$$

Ultra-Low Jitter, Fixed-Frequency SMD Clock Oscillator

AK3A

Request Samples



Check Inventory

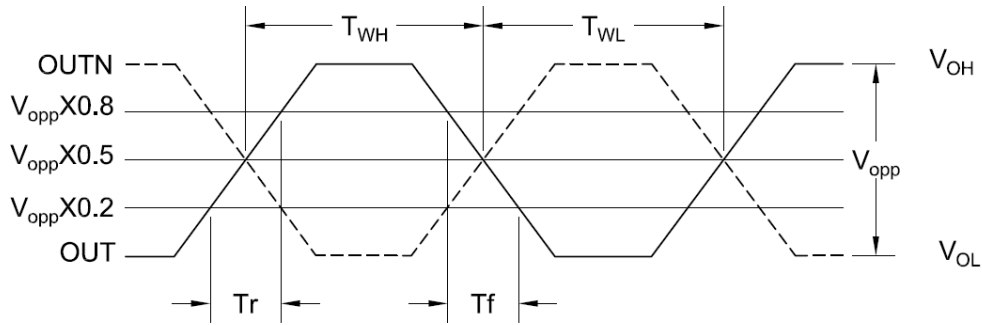


ESD Sensitive



3.2 x 2.5 x 1.0 mm
RoHS/RoHS II Compliant
MSL Level = N/A

HCSL: Output Wave Form (Duty, Tr, Tf, VOH, VOL, VOpp)



$$\text{Duty Cycle} = \frac{T_{WH}}{T_{WH} + T_{WL}} \times 100\%$$

Ultra-Low Jitter, Fixed-Frequency SMD Clock Oscillator

AK3A

Request Samples



Check Inventory



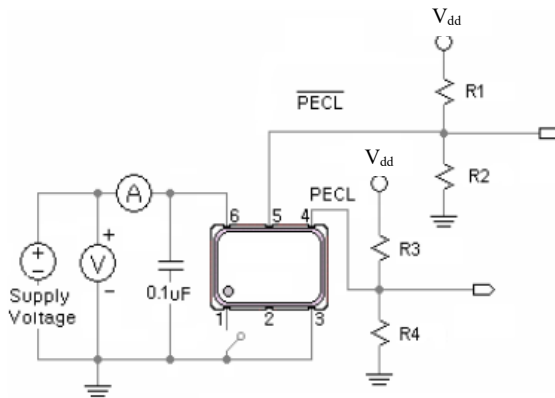
ESD Sensitive



3.2 x 2.5 x 1.0 mm
RoHS/RoHS II Compliant
MSL Level = N/A

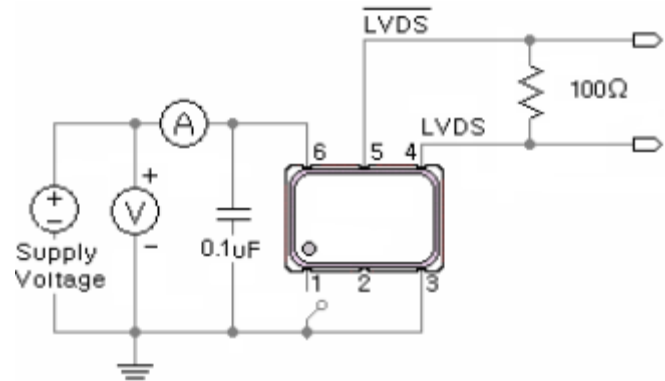
Recommended Test Circuit [\[Note 12\]](#)

LVPECL

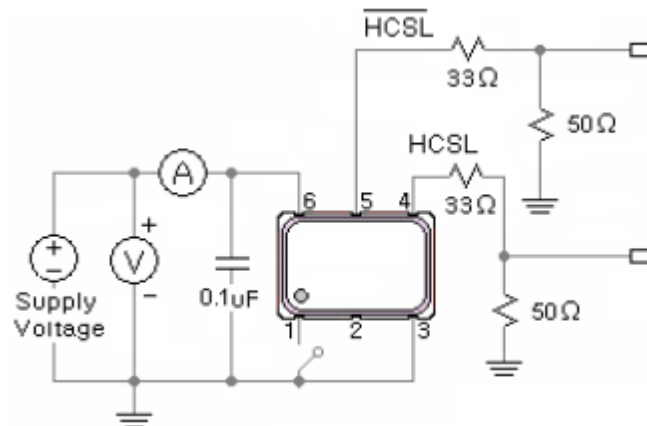


V_{dd} = 3.3V; R₁=R₃=127Ω; R₂=R₄=82.5Ω

LVDS



HCSL



Note 12: Recommended test circuit images are representative of when the OE Function is located on Pin 1; when the OE Function is located on Pin 2, then Pin 1=No Connect & Pin 2=OE or No Connect.

Ultra-Low Jitter, Fixed-Frequency SMD Clock Oscillator

AK3A

Request Samples



Check Inventory

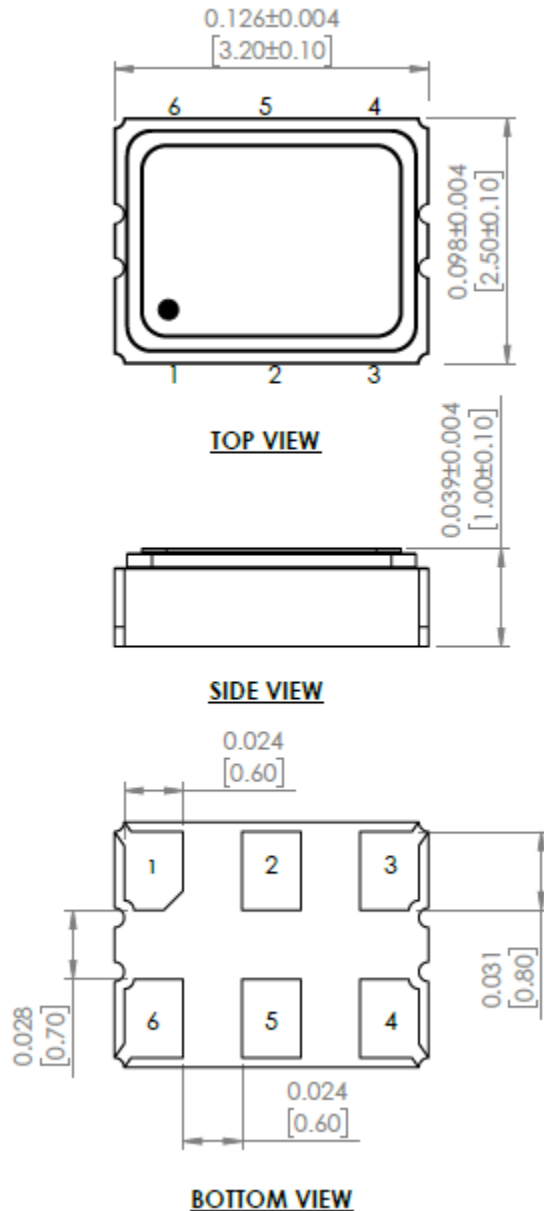


ESD Sensitive

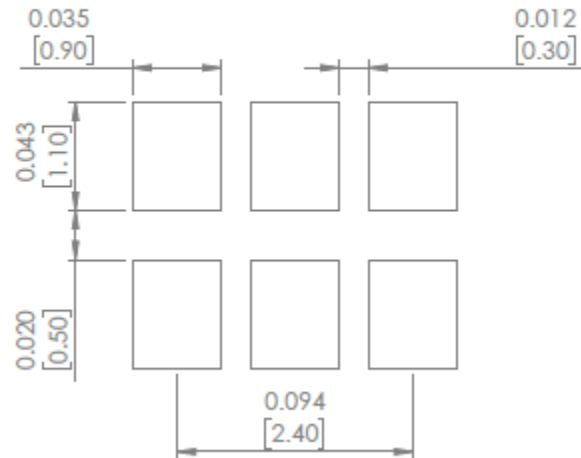


3.2 x 2.5 x 1.0 mm
RoHS/RoHS II Compliant
MSL Level = N/A

Mechanical Dimensions



Recommended Land Pattern



| Case 1 Pin #1=Output Enable/Disable Function where OE is Active HIGH | | Case 2 Pin #2=Output Enable/Disable Function where OE is Active HIGH | |
|---|---|---|---|
| Pin | Description | Pin | Description |
| # 1 | Output Enable = Logic High, "1", Vdd | # 1 | No Connect |
| | Output Disable = Logic Low, "0", GND | # 2 | Output Enable = Logic High, "1", Vdd |
| # 2 | No Connect | | Output Enable = Logic Low, "0", GND |
| # 3 | GND | # 3 | GND |
| # 4 | Output | # 4 | Output |
| # 5 | Complementary output | # 5 | Complementary output |
| # 6 | Supply Voltage (Vdd) | # 6 | Supply Voltage (Vdd) |

Dimensions: inches [mm]

Ultra-Low Jitter, Fixed-Frequency SMD Clock Oscillator

AK3A

Request Samples



Check Inventory



ESD Sensitive



3.2 x 2.5 x 1.0 mm
RoHS/RoHS II Compliant
MSL Level = N/A

Reflow Profile [JEDEC J-STD-020]

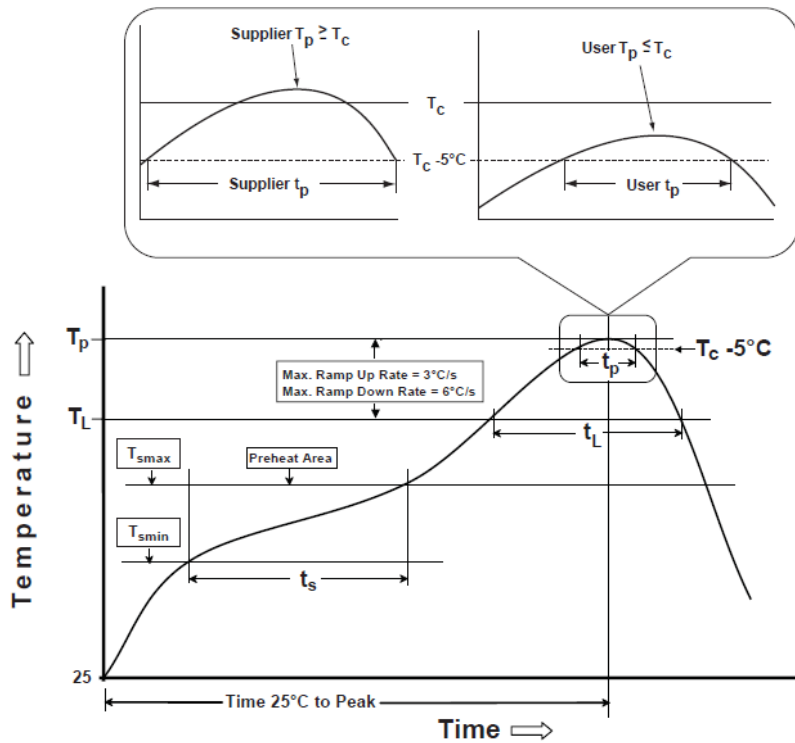


Table 1

| SnPb Eutectic Process Classification Temperatures (T_c) | | |
|--|-----------------------------|-----------------------------|
| Package Thickness | Volume mm ³ <350 | Volume mm ³ ≥350 |
| <2.5 mm | 235 °C | 220 °C |
| ≥2.5 mm | 220 °C | 220 °C |

Table 2

| Pb-Free Process Classification Temperatures (T_c) | | | |
|--|-----------------------------|---------------------------------|------------------------------|
| Package Thickness | Volume mm ³ <350 | Volume mm ³ 350-2000 | Volume mm ³ >2000 |
| <1.6 mm | 260 °C | 260 °C | 260 °C |
| 1.6 mm - 2.5 mm | 260 °C | 250 °C | 245 °C |
| >2.5 mm | 250 °C | 245 °C | 245 °C |

| Profile Feature | Sn-Pb Eutectic Assembly | Pb-Free Assembly |
|---|-------------------------|------------------|
| Preheat / soak | | |
| Temperature minimum (T_{smin}) | 100°C | 150°C |
| Temperature maximum (T_{smax}) | 150°C | 200°C |
| Time (T_{smin} to T_{smax}) (t_s) | 60 - 120 sec. | 60 - 120 sec. |
| Average ramp-up rate (T_{smax} to T_p) | 3°C/sec. max | 3°C/sec. max |
| Liquidous temperature (T_L) | 183°C | 217°C |
| Time at liquidous (t_L) | 60 - 150 sec. | 60 - 150 sec. |
| Peak package body temperature (T_p)* | see Table 1 | see Table 2 |
| Time (t_p)** within 5°C of the specified classification temperature (T_c) | 20 sec. | 30 sec. |
| Ramp-down rate (T_p to T_{smax}) | 6°C/sec. max | 6°C/sec. max |
| Time 25°C to peak temperature | 6 min. max | 8 min. max |
| Reflow cycles | 2 max | 2 max |

*Tolerance for peak profile temperature (T_p) is defined as a supplier minimum and a user maximum.

**Tolerance for time at peak profile temperature (t_p) is defined as supplier minimum and a user maximum.

Ultra-Low Jitter, Fixed-Frequency SMD Clock Oscillator

AK3A

Request Samples



Check Inventory



ESD Sensitive



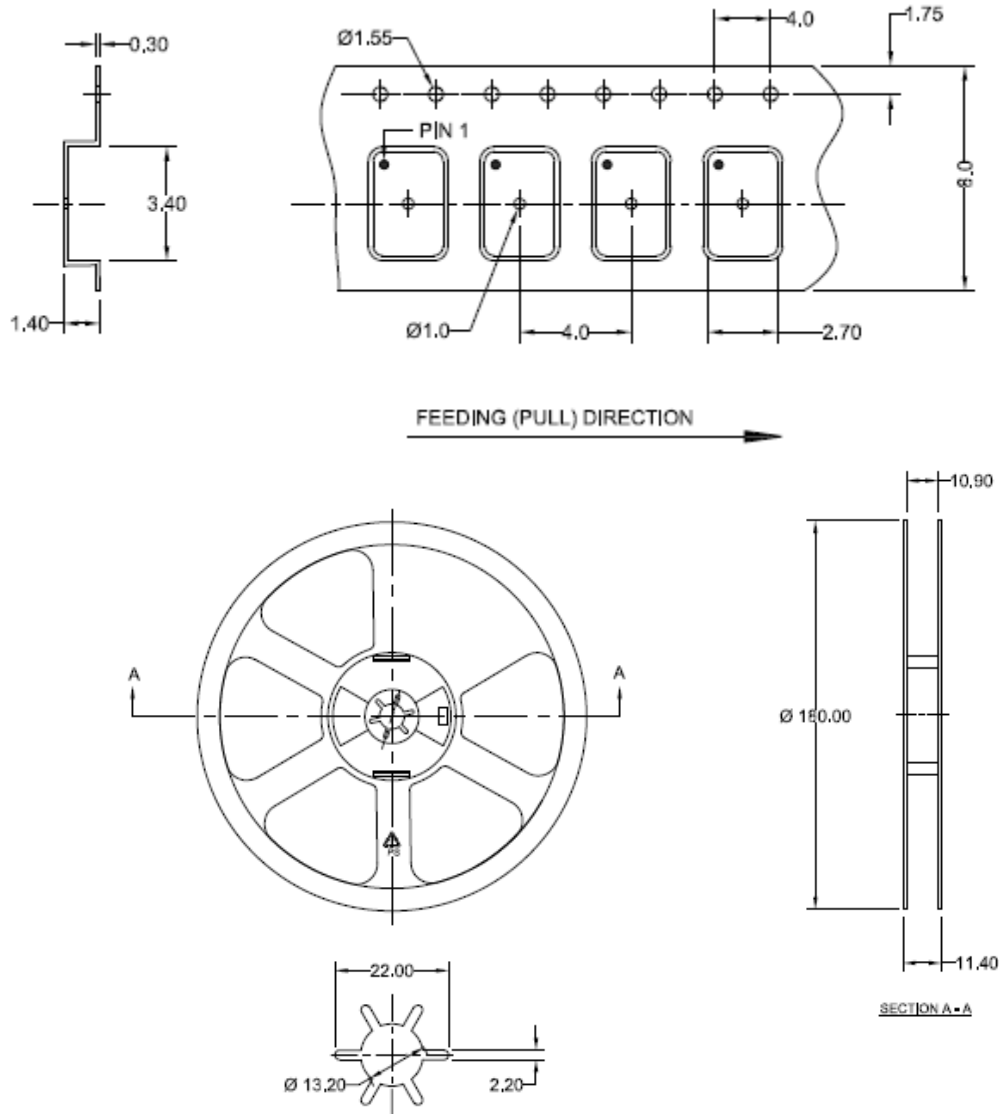
3.2 x 2.5 x 1.0 mm
RoHS/RoHS II Compliant
MSL Level = N/A

Packaging

Blank = Bulk

T = Tape & Reel 1,000 units/reel

T3 = Tape & Reel 3,000 units/reel



Dimensions: mm

ATTENTION: Abracon LLC's products are COTS – Commercial-Off-The-Shelf products; suitable for Commercial, Industrial and, where designated, Automotive Applications. Abracon's products are not specifically designed for Military, Aviation, Aerospace, Life-dependent Medical applications or any application requiring high reliability where component failure could result in loss of life and/or property. For applications requiring high reliability and/or presenting an extreme operating environment, written consent and authorization from Abracon LLC is required. Please contact Abracon LLC for more information.



5101 Hidden Creek Ln Spicewood TX 78669
Phone: 512-371-6159 | Fax: 512-351-8858
For terms and conditions of sales, please visit:
www.abracon.com

REVISED: 09-27-22

ABRACON IS
ISO9001-2015
CERTIFIED