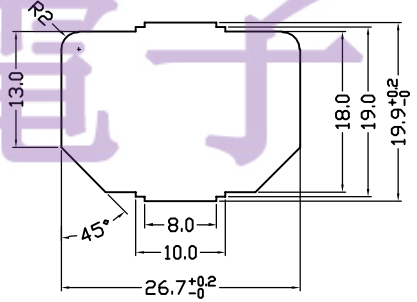
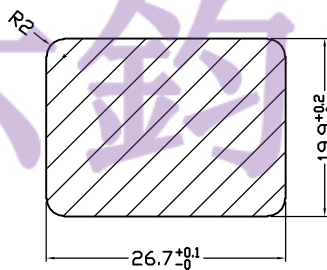
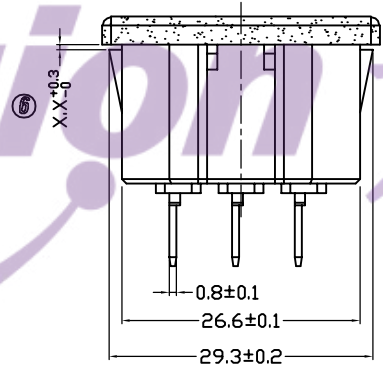


品名	面板厚度
RT-C14-H06B-AA	0.6mm
RT-C14-H07B-AA	0.7mm
RT-C14-H08B-AA	0.8mm
RT-C14-H10B-AA	1.0mm
RT-C14-H12B-AA	1.2mm
RT-C14-H16B-AA	1.6mm
RT-C14-H20B-AA	2.0mm



PANEL CUTOUT

NOTES:

- Electrical rating: 10A 250VAC (VDE; CCC)
15A 250VAC (UL; CUL)
- Contact resistance: 10mΩ Max
- Insulation resistance: >100MΩ (Min) 500VDC
- Dielectric strength: >3000VAC 0.5mA 1 minutes

3	2# pin	C2680 1/2H	Tin-plating 3~5um	1
2	1# pin	C2680 1/2H	Tin-plating 3~5um	2
1	Body	PA66 UL94V-0	Black	1
NO.	PART NAME	MATERIAL		Q'TY

NO	DESCRIPTION	NO	DESCRIPTION	DIMENSIONAL TOLERANCES		APPROVED	CHECKED	DESIGN	DRAWN	ALL SIZE ARE IN		DRAWING NO.	REV.
				RANGE	TOLERANCE					MM	NO		
5	→	10	→	X	±0.30	LMC 2020.01.17				SCALE	NO	WIF123090	AO
4	→	9	→	X.X	±0.20					MAT'L	***		
3	→	8	→	X.XX	±0.10					MATERIAL NO.			
2	→	7	→	ANGLES	±1'					RT-C14-H08B-AA-B(HF)			
1	→	6	→										

LECION ELECTRONIC & HARDWARE CO., LTD.

