

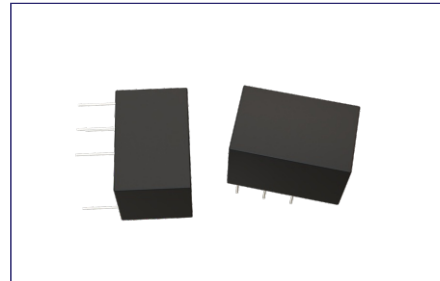


6.5x6.0 to 11x8.0 DIP PACKAGE

PRODUCT FEATURES

- Highly selective for narrowband communication
- Compact structure and small size
- Electrical performance is not affected by external electromagnetic interference
- Suitable for matching with different ICs
- RoHS compliant

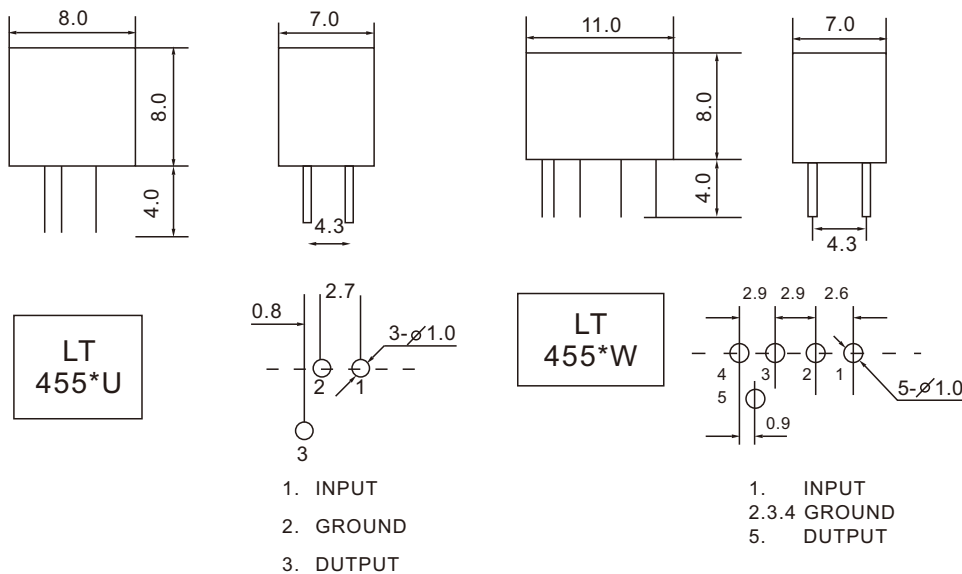
PRODUCT PHOTO



PRODUCT SPECIFICATIONS

Part Number		6dB Bandwidth (KHz)Min.	Attn.BW Bandwidth (KHz)Max.	Stop Band Attn (dB) Min.		Ripple (dB)Max.	Insertion Loss(dB)Max.	Input/Output Impedance (K.Ohm)	Operating Temperature (°C)
				LT	L				
LT455BU	LT455BW	±15	±30	28	45	2	4	1.5	-20~+80
LT455CU	LT455CW	±12.5	±24	28	45	2	4	1.5	
LT455DU	LT455DW	±10	±20	28	45	2	4	1.5	
LT455EU	LT455EW	±7.5	±15	28	45	2	4	1.5	
LT455FU	LT455FW	±6	±12.5	28	45	2	4	2	
LT455GU	LT455GW	±4.5	±10	30	45	2	4	2	
LT455HU	LT455HW	±3	±9	30	45	2	4	2	
LT455HTU	LT455HTW	±3	±9	35	45	2	4	2	

PACKAGE OUTLINE / DIMENSIONS



LT\*\*\*\*U Series

LT\*\*\*\*W Series