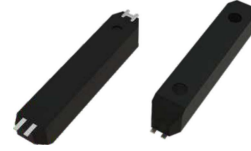


6.9 x 1.4 x 1.3 mm SMD Package

Feature

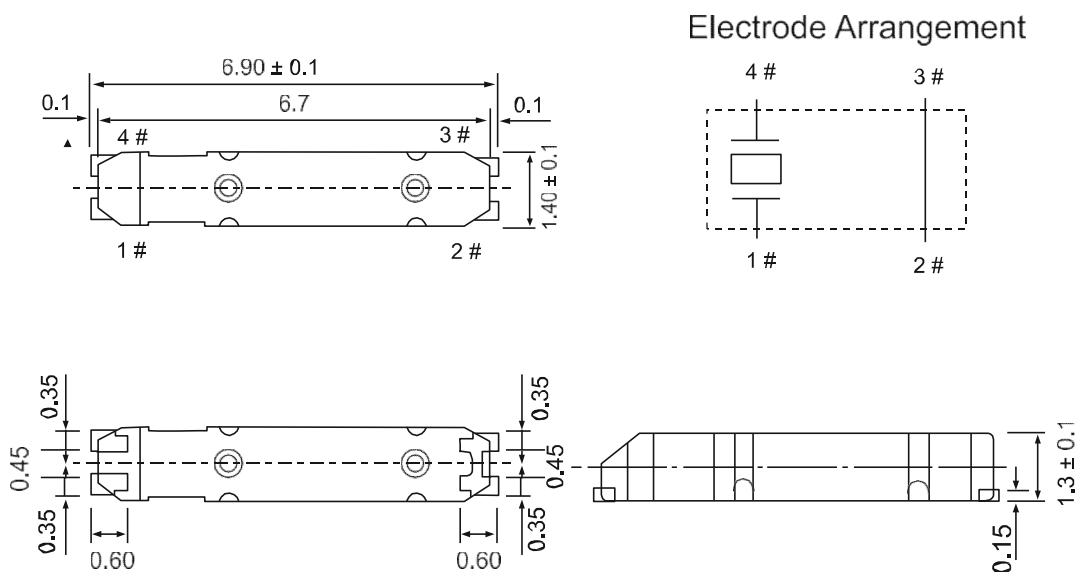
- Ultra small size 6.9x1.4x1.3 mm
- High reliability environmental performance
- High frequency stability and high precision
- Designed for automatic mounting and reflow soldering
- RoHS Compliant / Pb Free



Electrical Specifications

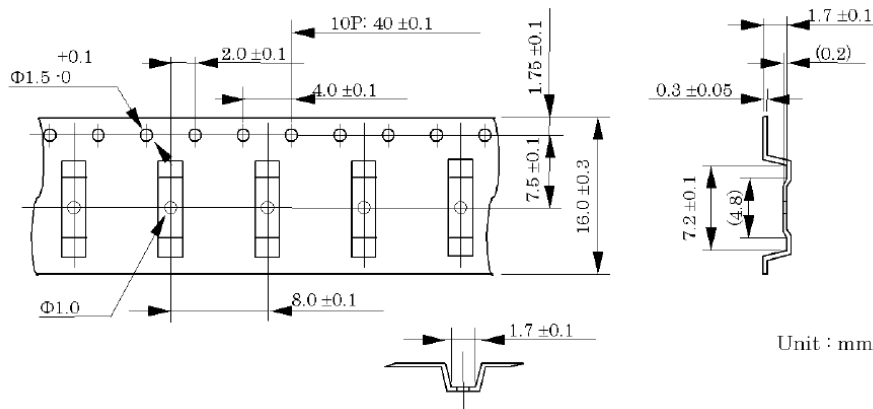
Item	Specifications
Frequency	32.768kHz
Load Capacitance (CL)	6pF, 7pF, 9pF, 12.5pF
Frequency Tolerance(at 25°C)	±5ppm , ±10ppm , ±20ppm
Operating emperature Range	-40~+85°C
Turnover Temperature	25 ± 5°C
Frequency Temperature Curve	$(-0.033 \pm 10\%) \times 10^{-6} / ^\circ\text{C}^2$
Equivalent Series Resistance (ESR) max.	65kΩ
Drive Level (Typical)	0.1μW
Drive Level(Max)	1μW
Shunt Capacitance(C_0)	0.9pF Typ.
Insulation esistance	More than 500Mohms at DC100V
Storage Temperature Range	-55°C~+125°C
Aging @25 °C 1st Year (Max)	±3ppm/year

Dimension(mm)

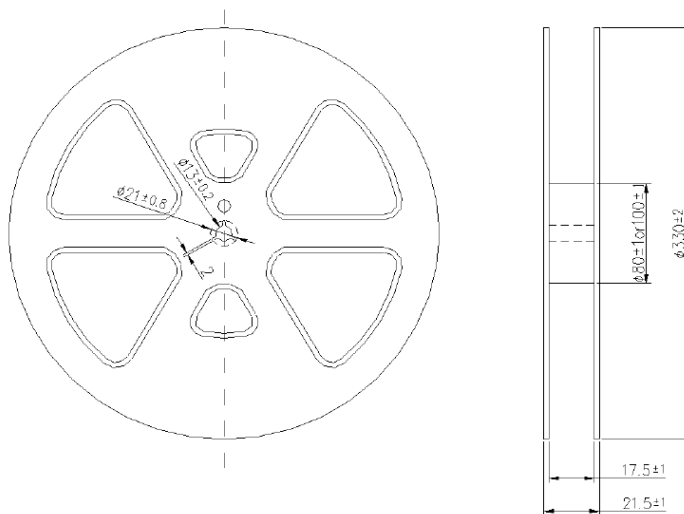


PACKING SPECIFICATIONS (Unit: mm)

TAPE SPECIFICATION :



OUTLINE DIMENSION:



Q'ty: 3000pcs/Reel

WTL PART NUMBER SYSTEM :

For example: WTL1X25212CH

[Instructions: for project management, WTL will trace back the part number to developer wherever it goes]

WTL - 1X - 25212 - CH

WTL: Brand

1X : Package Code

25212: Serial number , flow code , without any rules

CH: WTL Developer Code, for example: VH,CH,PZ,RZ,ML