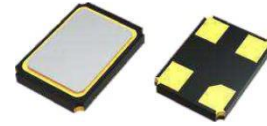


SMD Seam Sealed Crystals 3.2×2.5×0.7 mm

Feature

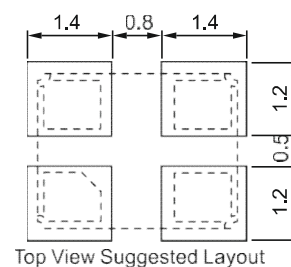
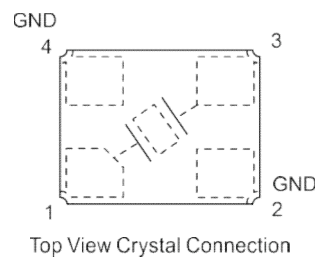
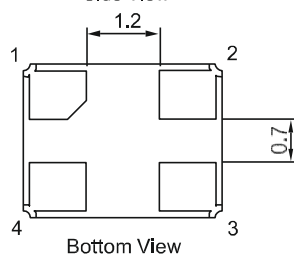
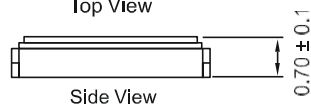
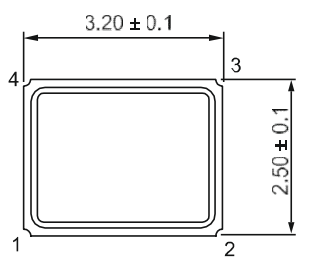
- Size 3.2×2.5, Ultra thin , thickness 0.7mm
- High precision and high frequency stability
- Excellent heat resistance and environmental characteristics
- Designed for automatic mounting and reflow soldering
- RoHS Compliant /Pb Free



Electrical Specifications

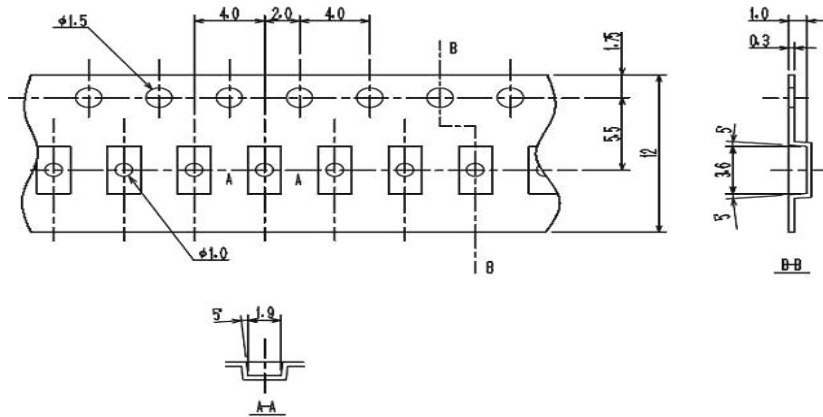
Item	Specifications		
Frequency Range(MHz)	8~10	10~24	24~104
Mode	AT/Fundamental		
Load Capacitance (CL)	8pF, 9pF, 10pF, 12pF, 18pF, 20pF, or Specify		
Frequency Tolerance(at 25°C)	±10ppm ~ ±30ppm or specify		
Operating emperature Range	-20~+70°C or Specify		
Frequency Stability Over Operating emperature Range	±10ppm ~ ±30ppm or specify		
Equivalent Series Resistance (ESR) max.	200Ω	80Ω	60Ω
Storage Temperature Range	-55~+125°C		
Shunt Capacitance(C 0)	3pF Max		
Drive Level (Typical)	1~ 100 μW (50μW typical)		
Aging @25°C 1st Year (Max)	±3 ppm/year max		

Dimension(mm)

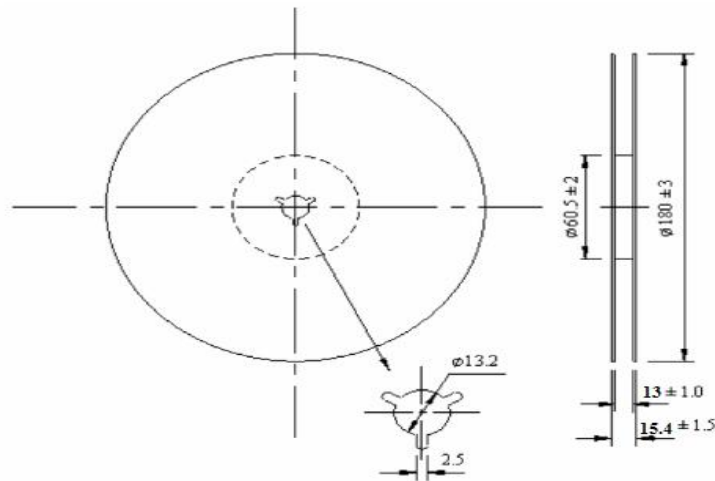


PACKING SPECIFICATIONS (Unit: mm)

TAPE SPECIFICATION :



OUTLINE DIMENSION:



Q'ty: 3000pcs/Reel

WTL PART NUMBER SYSTEM :

For example: WTL1X25212CH

[Instructions: for project management, WTL will trace back the part number to developer wherever it goes]

WTL - 1X - 25212 - CH

WTL: Brand

1X : Package Code

25212: Serial number , flow code , without any rules

CH: WTL Developer Code, for example: VH,CH,PZ,RZ,ML