

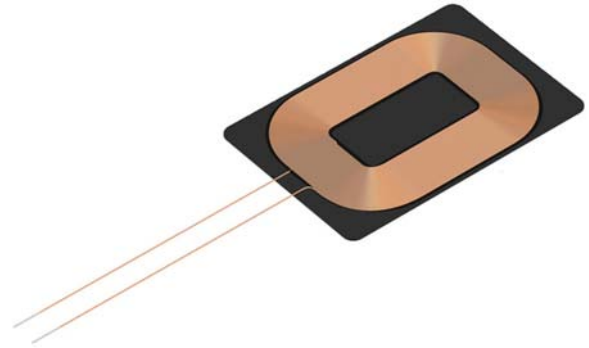
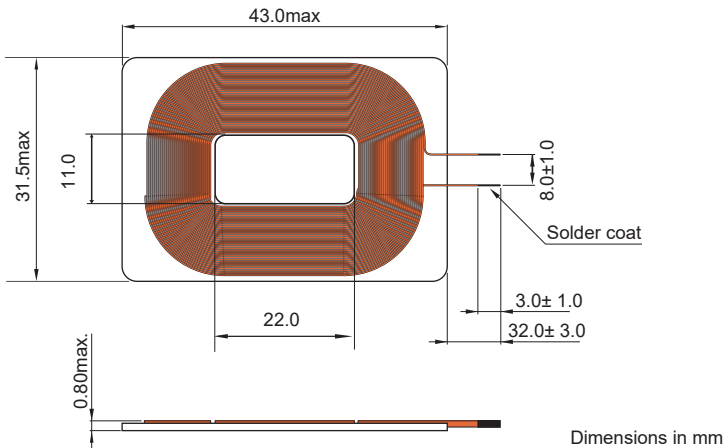
YX-A11-R431231-G3232



APPLICATIONS

- Cross outlet
- Coil attached square diskette, size: 43*31.5mm*0.3mm
- Double-sided magnetic tape
- Attach the coil to double-sided tape
- Double line tinning

SHAPE & DIMENSIONS



AIR COIL SPECIFICATIONS

Number of Coils	Wire Diameters	Turns Ratio
1	ø0.30mm x 2P	12T

MAXIMUM RATINGS

Operating Temperature / Humidity	Storage Temperature / Humidity
-40 to +85°C / 10 to 65% R.H.	-25 to +125°C / 10 to 65%

ELECTRICAL CHARACTERISTICS

OCL [100kHz 0.1V] (μH)	DCR [100kHz 0.1V] (mΩ)	WPC Compliant
11.50 ± 10%	175.00	Yes

PACKAGING : BAG TYPE

Dimensions (mm)		Quantity (pcs)	
Tray	10	Qty per tray	100
Small carton	320x320x55	Qty per small carton	10
Outer carton	350x350x180	Qty per outer carton	1000

OTHERS

Weight (g) typ.	2.53
--------------------	------