

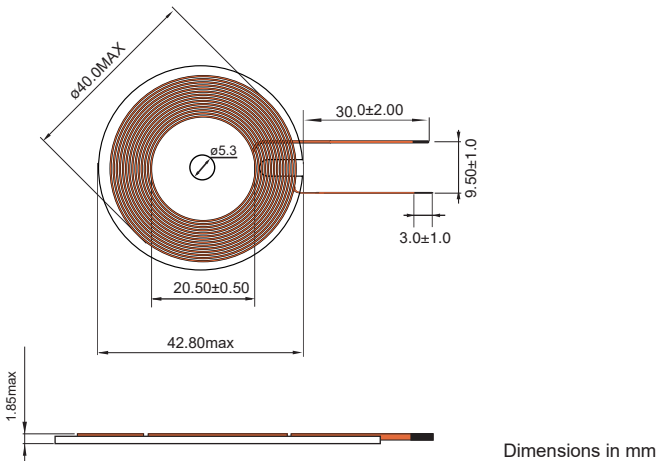
YX-A11-R421053-R0730



APPLICATIONS

- Cross outlet
- Coil attached round diskette, size: $\phi 42.8 \times 5.3 \text{mm} \times 0.6 \text{mm}$
- Double-sided magnetic tape
- Attach the coil to double-sided tape
- Double line tinning

SHAPE & DIMENSIONS



AIR COIL SPECIFICATIONS

Number of Coils	Wire Diameters	Turns Ratio
1	$\phi 0.07 \text{mm} \times 100\text{P}$	10T

MAXIMUM RATINGS

Operating Temperature / Humidity	Storage Temperature / Humidity
-40 to +85°C / 10 to 65% R.H.	-25 to +125°C / 10 to 65%

ELECTRICAL CHARACTERISTICS

OCL [100kHz 0.1V] (μH)	DCR [100kHz 0.1V] ($\text{m}\Omega$)	WPC Compliant
$6.30 \pm 5\%$	45.50	Yes

PACKAGING : BOX TYPE

Dimensions (mm)		Quantity (pcs)	
Tray	5	Qty per tray	250
Small carton	320x320x55	Qty per small carton	5
Outer carton	350x350x180	Qty per outer carton	750

OTHERS

Weight (g) typ.	8.35
--------------------	------