

4-5435640-0 ! PENDING OBSOLESCENCE

Alcoswitch | Alcoswitch DIP, Alcoswitch DIP 7000 & 7100

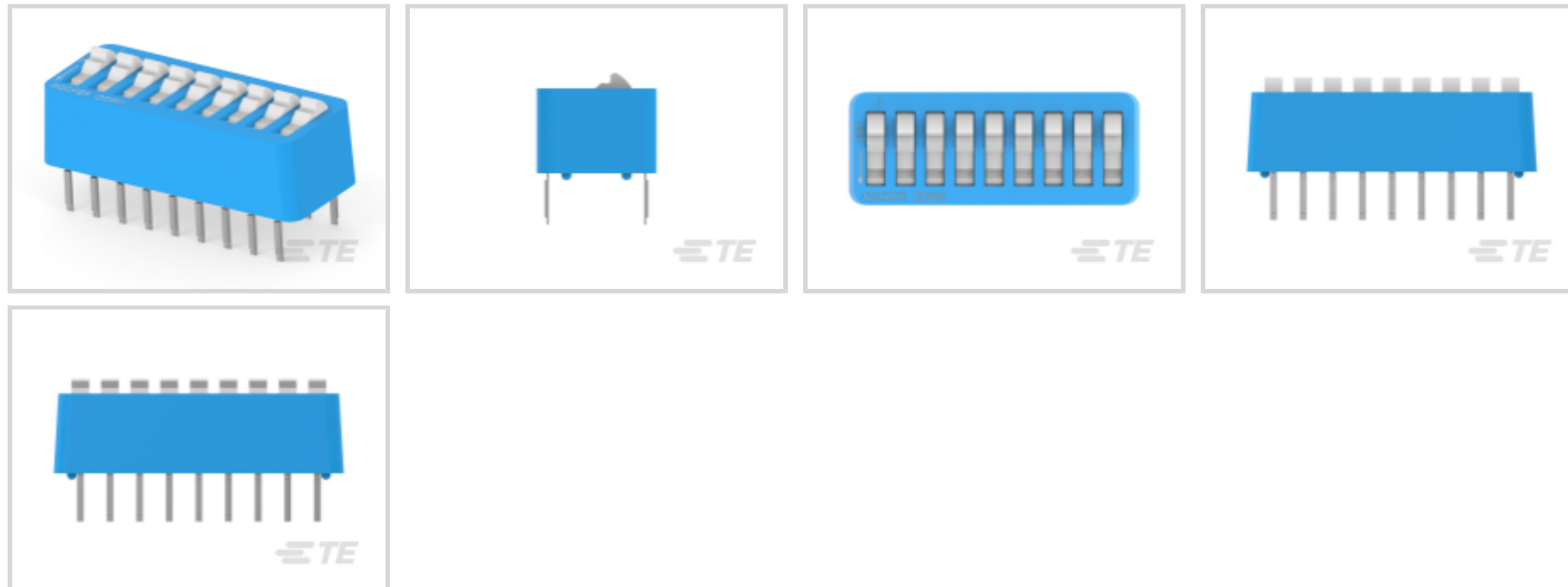
TE Internal #: 4-5435640-0

TE Internal Description: DIP SW 9 POSN SEALED

[View on TE.com >](#)



Switches > DIP & SIP Switches



Switch Contact Plating Material: **Gold**

Case Color: **Blue**

Case Material: **Polyester GF**

Sealed Device: **Yes**

Number of Switches: **9**

Features

Product Type Features

| | |
|-----------------------|-----------------------|
| Sealed Device | Yes |
| DIP & SIP Switch Type | DIP |
| Actuator Style | Rocker (Top Actuated) |

Configuration Features

| | |
|----------------------------|----------------------------|
| Number of Positions | 9 |
| Number of Switches | 9 |
| Configuration (Pole-Throw) | Single Pole - Single Throw |

Electrical Characteristics

| | |
|-------------------|--------|
| Operating Voltage | 40 VDC |
|-------------------|--------|

Body Features

| | |
|---------------------|--|
| Sealing Method | Strippable Transparent Protective Seal |
| Product Orientation | Vertical |
| Case Color | Blue |
| Case Material | Polyester GF |

Contact Features

| | |
|---|--------------|
| | 30 µin |
| PCB Contact Termination Area Plating Material | Tin |
| Switch Contact Plating Material | Gold |
| Contact Current Rating | 1 A |
| Contact Base Material | Copper Alloy |

Termination Features

| | |
|---|-----------------------|
| Termination Post & Tail Length | 3.56 mm[.14 in] |
| Termination Method to Printed Circuit Board | Through Hole - Solder |

Housing Features

| | |
|--------------------|----------------|
| Centerline (Pitch) | 2.54 mm[.1 in] |
|--------------------|----------------|

Dimensions

| | |
|----------------|------------------|
| Product Length | 24.89 mm[.98 in] |
| Product Height | 8.64 mm[.34 in] |

Packaging Features

| | |
|--------------------|------|
| Packaging Quantity | 12 |
| Packaging Method | Tube |

Product Compliance

[For compliance documentation, visit the product page on TE.com>](#)

| | |
|---|---|
| EU RoHS Directive 2011/65/EU | Compliant |
| EU ELV Directive 2000/53/EC | Compliant |
| China RoHS 2 Directive MIIT Order No 32, 2016 | No Restricted Materials Above Threshold |
| EU REACH Regulation (EC) No. 1907/2006 | Current ECHA Candidate List: JUNE 2023 (235) Candidate List Declared Against: JUNE 2023 (235) Does not contain REACH SVHC |
| Halogen Content | Not Low Halogen - contains Br or Cl > 900 ppm. |
| Solder Process Capability | Wave solder capable to 265°C |

Product Compliance Disclaimer

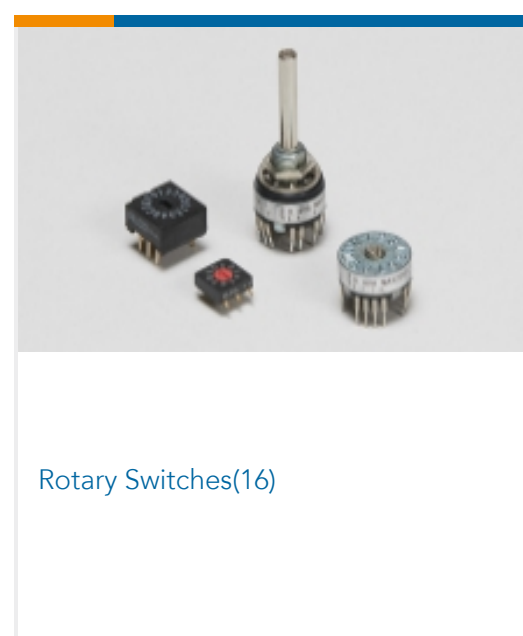
This information is provided based on reasonable inquiry of our suppliers and represents our current actual knowledge based on the information they provided. This information is subject to change. The part numbers that TE has identified as EU RoHS compliant have a maximum concentration of 0.1% by weight in homogenous materials for lead, hexavalent chromium, mercury, PBB, PBDE, DBP, BBP, DEHP, DIBP, and 0.01% for cadmium, or qualify for an exemption to these limits as defined in the Annexes of Directive 2011/65/EU (RoHS2). Finished electrical and electronic equipment products

will be CE marked as required by Directive 2011/65/EU. Components may not be CE marked. Additionally, the part numbers that TE has identified as EU ELV compliant have a maximum concentration of 0.1% by weight in homogenous materials for lead, hexavalent chromium, and mercury, and 0.01% for cadmium, or qualify for an exemption to these limits as defined in the Annexes of Directive 2000/53/EC (ELV). Regarding the REACH Regulation, the information TE provides on SVHC in articles for this part number is based on the latest European Chemicals Agency (ECHA) 'Guidance on requirements for substances in articles' posted at this URL: <https://echa.europa.eu/guidance-documents/guidance-on-reach>

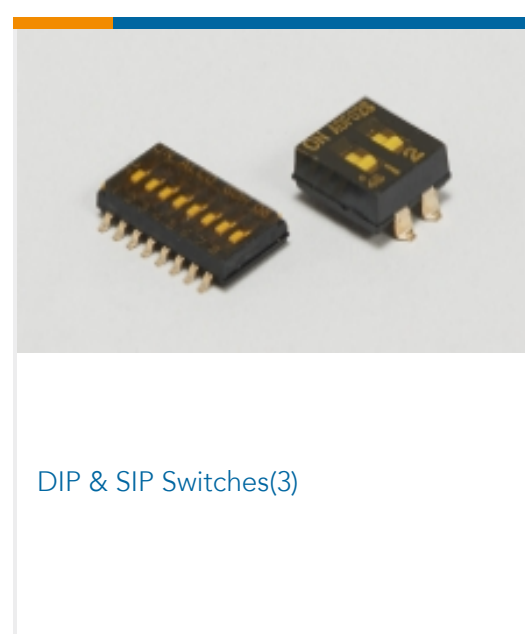
Compatible Parts



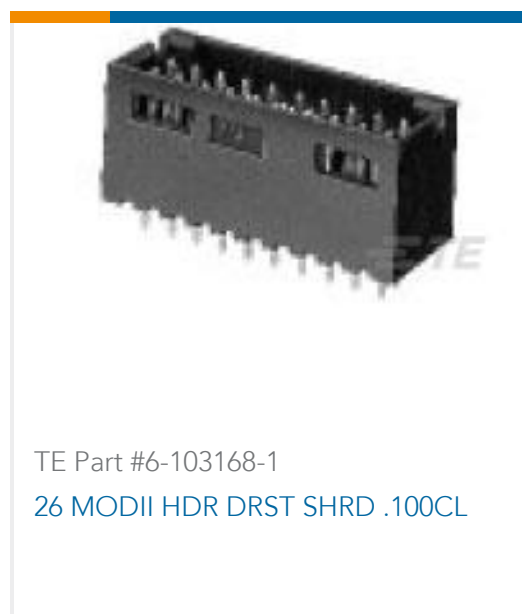
Also in the Series | Alcoswitch DIP



Also in the Series | Alcoswitch DIP 7000 & 7100



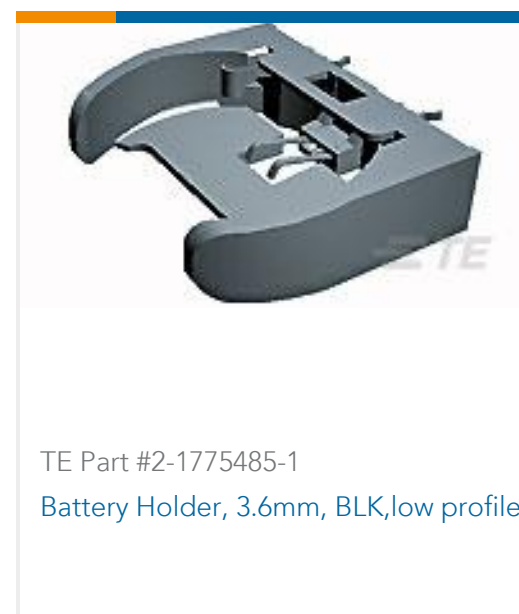
Customers Also Bought



TE Part #6-103168-1
26 MODII HDR DRST SHRD .100CL



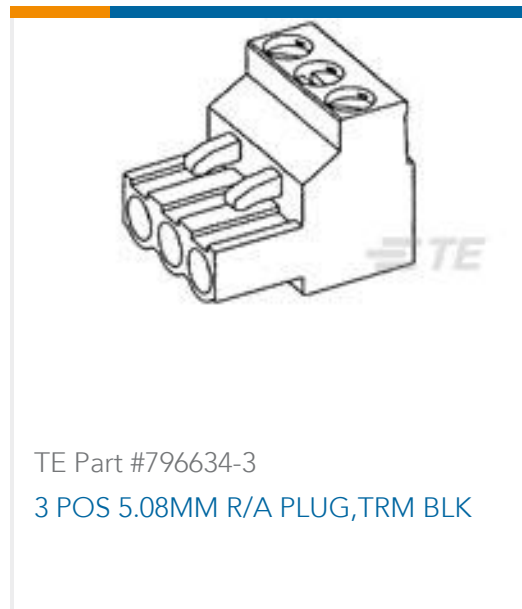
TE Part #1734035-2
MINI USB, TYPE B, R/A, SMT



TE Part #2-1775485-1
Battery Holder, 3.6mm, BLK, low profile



TE Part #ZPF00000000099565
732-8256-99



TE Part #796634-3
3 POS 5.08MM R/A PLUG, TRM BLK



TE Part #1-1825002-4
ADF08T04=DIP SWT, FLUSH, THRU/HL



TE Part #ZPF000000000201420
732-8260-99

Documents

Product Drawings

DIP SW 9 POSN SEALED

English

CAD Files

3D PDF

English

Customer View Model

[ENG_CVM_4-5435640-0_A1.3d_igs.zip](#)

English

Customer View Model

[ENG_CVM_4-5435640-0_A1.3d_stp.zip](#)

English

Customer View Model

[ENG_CVM_4-5435640-0_A1.2d_dxf.zip](#)

English

3D PDF

3D

Customer View Model

[ENG_CVM_CVM_4-5435640-0_C.2d_dxf.zip](#)

English

Customer View Model

[ENG_CVM_CVM_4-5435640-0_C.3d_igs.zip](#)

English

Customer View Model

[ENG_CVM_CVM_4-5435640-0_C.3d_stp.zip](#)

English



By downloading the CAD file I accept and agree to the [Terms and Conditions](#) of use.

Product Specifications

[Application Specification](#)

English

Instruction Sheets

[Instruction Sheet \(U.S.\)](#)

English