

32.768 kHz Crystal Unit

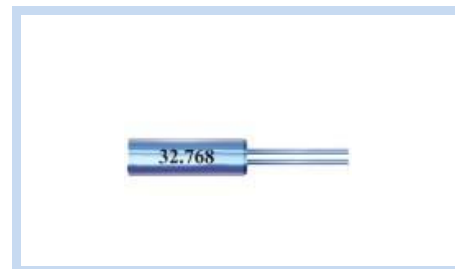
6.2 x 2.1mm Type

MXTU series

MERITEK

FEATURE

- Industry Standard Cylindrical Package
- Real Time Clocks
- Applications: Measuring Instruments, Clock Source, Communications, A/V Equipment



PART NUMBERING SYSTEM

MXTU B F A 32K768
 (1) (2) (3) (4) (5)

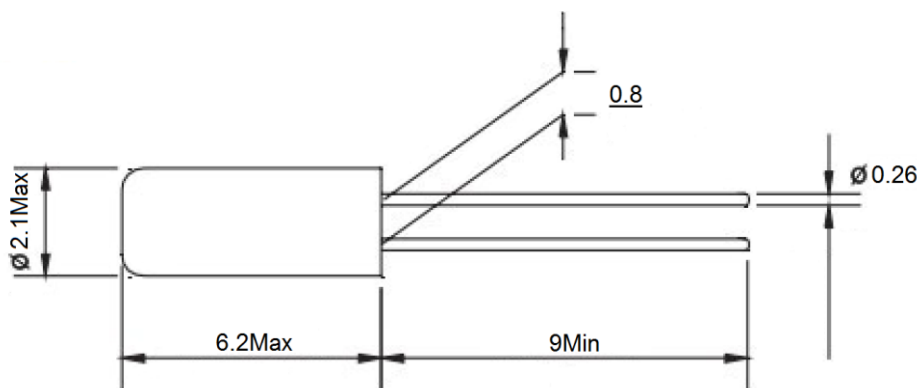


No	Item	Code	Description	Series Reference (Options)
(1)	Meritek Series	MXTU	Crystal Unit	Cylindrical Crystal 6.2x2.1mm
(2)	Load Capacitance	B	B: 12.5pF	B: 12.5pF, 6: 6pF (Note: 1)
(3)	Frequency Tolerance	F	F: ±20ppm	F: ±20ppm, A: ±10ppm
(4)	Operating Temp.	A	A: -10~+60°C	C: -20~+70°C, A: -10~+60°C
(5)	Frequency	32K768	32K768: 32.768kHz	32K768 (K denotes decimal point) (Note: 2)

Notes:

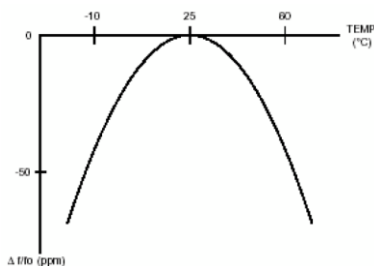
1. Contact Meritek for more info on Custom Load Capacitance
2. Contact Meritek for additional standard frequencies (32 kHz ~ 100 kHz)

DIMENSIONS AND RECOMMENDED PATTERN



(Unit:mm)

FREQUENCY VS TEMPERATURE



32.768 kHz Crystal Unit 6.2 x 2.1mm Type

MXTU series

MERITEK

ELECTRICAL CHARACTERISTICS

Parameters	Characteristic	Unit
Frequency Range	32.768	kHz
Load Capacitance (C _L)	12.5 (see options)	pF
Frequency Tolerance (at 25°C)	±20 (see options)	ppm
Operating Temperature	-10 ~ +60 (see options)	°C
Storage Temperature	-40 ~ +85	°C
Turnover Temperature	25 ±5	°C
Frequency Temperature Curve	-0.035 ±0.006	ppm/°C
Drive Level	1.0 max.	μW
Aging (at 25°C)	±3 max.	ppm / year
Shunt Capacitance (C ₀)	1.7 typ.	pF
Motional Capacitance (C ₁)	4 typ.	fF
Capacitance Ratio (C ₀ /C ₁)	800	-
Q Factor	70000	-
Insulation Resistance @100Vdc ±15V	500 min.	MΩ
Equivalent Series Resistance	35 max.	kΩ

*Specifications subject to change without notice.