



[Positive Lock](#) | [Positive Lock 250](#)

TE Internal #: 926522-2

Crimp Terminal Housings, Receptacle, Receptacle, 2 Position, Straight, UL 94V-2, Natural, Polyamide, Mating Alignment, Positive Lock 250

[View on TE.com >](#)

Terminals & Splices > Terminal Housings, Insulation Sleeves & Blocks > Crimp Terminal Housings



Terminal Type: **Receptacle**

Connector & Housing Type: **Receptacle**

Number of Positions: **2**

Terminal Orientation: **Straight**

UL Flammability Rating: **UL 94V-2**

Features

Product Type Features

Sealable	No
Connector System	Wire-to-Board, Wire-to-Wire
Connector & Contact Terminates To	Wire & Cable
Connector & Housing Type	Receptacle

Configuration Features

Number of Positions	2
---------------------	---

Body Features

Primary Product Color	Natural
-----------------------	---------

Contact Features

Terminal Type	Receptacle
Terminal Orientation	Straight
Contact Mating Retention	Without

Mechanical Attachment

--	--



Mating Alignment Type	Polarization
Mating Alignment	With
Connector Mounting Type	Cable Mount (Free-Hanging)

Housing Features

Housing Material	Polyamide
Centerline (Pitch)	7.4 mm[.291 in]

Usage Conditions

Operating Temperature Range	-40 – 105 °C[-40 – 221 °F]
-----------------------------	----------------------------

Industry Standards

UL Flammability Rating	UL 94V-2
------------------------	----------

Packaging Features

Packaging Quantity	1
Packaging Method	Carton

Product Compliance

[For compliance documentation, visit the product page on TE.com>](#)

EU RoHS Directive 2011/65/EU	Compliant
EU ELV Directive 2000/53/EC	Compliant
China RoHS 2 Directive MIIT Order No 32, 2016	No Restricted Materials Above Threshold
EU REACH Regulation (EC) No. 1907/2006	Current ECHA Candidate List: JUNE 2023 (235) Candidate List Declared Against: JUNE 2023 (235) Does not contain REACH SVHC
Halogen Content	Low Halogen - Br, Cl, F, I < 900 ppm per homogenous material. Also BFR/CFR/PVC Free
Solder Process Capability	Not applicable for solder process capability

Product Compliance Disclaimer

This information is provided based on reasonable inquiry of our suppliers and represents our current actual knowledge based on the information they provided. This information is subject to change. The part numbers that TE has identified as EU RoHS compliant have a maximum concentration of 0.1% by weight in homogenous materials for lead, hexavalent chromium, mercury, PBB, PBDE, DBP, BBP, DEHP, DIBP, and 0.01% for cadmium, or qualify for an exemption to these limits as defined in the Annexes of Directive 2011/65/EU (RoHS2). Finished electrical and electronic equipment products will be CE marked as required by Directive 2011/65/EU. Components may not be CE marked. Additionally, the part numbers that TE has identified as EU ELV compliant have a maximum concentration of 0.1% by weight in homogenous materials for lead, hexavalent chromium, and mercury, and 0.01% for cadmium, or qualify for an exemption to these limits as defined in the Annexes of Directive 2000/53/EC (ELV). Regarding the REACH Regulation, the information TE provides on SVHC in articles for this part number is based on the latest European Chemicals Agency (ECHA) 'Guidance on

requirements for substances in articles' posted at this URL: <https://echa.europa.eu/guidance-documents/guidance-on-reach>

Compatible Parts



TE Part # 154719-1
250 HSG. PL MKI REC. NAT



TE Part # 926526-1
PL MKI 250 REC HSG 5P NYLON BLACK



TE Part # 926521-2
PL 250 REC HSG 2P NYLON BLACK



TE Part # 926522-1
PL 250 REC HSG 2P NYLON BLACK



TE Part # 1-926522-1
PL 250 REC HSG 2P NYLON BLACK



TE Part # 185010-2
HEADLIGHT HOUSING HOUSING



TE Part # 178833-1
POSITIVE LOCK .250 HOUSING RECEPTACLE



TE Part # 1-2133341-2
250 HSG. PL MKI REC. NAT



TE Part # 1-926522-2
PL 250 REC HSG 2P NYLON NAT



TE Part # 174587-1
PL 187 (4.8 MM) HOUSING RECEPTACLE



TE Part # 926716-1
PL 2P HOUSING PA 6.6 ZYTEL 101 BLACK



TE Part # 1-2133341-1
PL MK1 RECEPTACLE NATURAL 6.6 PA



TE Part # 100100-1
2 POS POSITIVE LOCK (PL) HOUSING



TE Part # 172864-1
250 POSITIVE DBL LOCK 2P NATUR

Also in the Series | **Positive Lock 250**



Automotive Terminals(1)



Crimp Terminal Housings(193)



Insertion & Extraction Tools(3)



Insulation Boots & Sleeves(4)

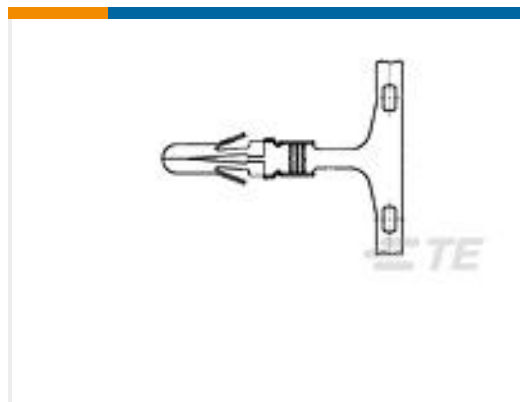


Quick Disconnects(186)

Customers Also Bought



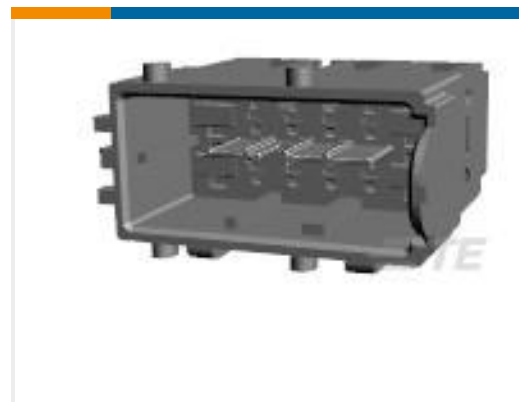
TE Part #880687-2
.140 DIA SOCKET



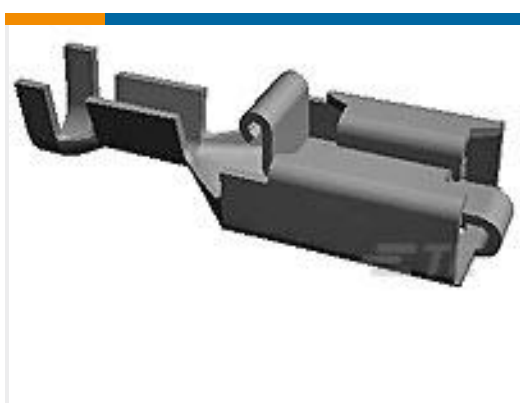
TE Part #880685-2
.140 DIA PIN



TE Part #965665-1
Timer Connector Housing



TE Part #284858-3
12 POS MALE HOUSING ASS'Y



TE Part #880645-6
PL REC 1.0-2.5MM2 0.40 X 52.32 PTPBR



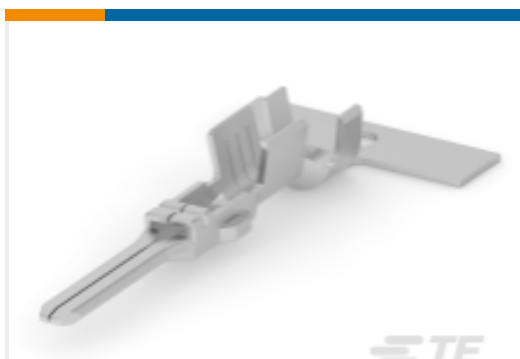
TE Part #3-1579007-1
EXTRATION TOOL



TE Part #180352-6
FF 250 TAB 4-6MM2 BR SILVER PLATED



TE Part #1803001-1
ANVIL, COMBINATION, END FEED



TE Part #282231-1
070 SRS TAB CONTACT 1-1,5

Documents



Product Drawings

PL 250 REC HSG 2P NYLON NAT

English

CAD Files

3D PDF

3D

Customer View Model

ENG_CVM_CVM_926522-2_R.2d_dxf.zip

English

Customer View Model

ENG_CVM_CVM_926522-2_R.3d_igs.zip

English

Customer View Model

ENG_CVM_CVM_926522-2_R.3d_stp.zip

English

By downloading the CAD file I accept and agree to the [Terms and Conditions](#) of use.

Datasheets & Catalog Pages

Positive Lock Receptacles

English

Agency Approvals

CSA Certificate

English

CSA Certificate

English