

925713-2 ✓ ACTIVE

MATE-N-LOK | 0.140 MATE-N-LOK

TE Internal #: 925713-2

Pin Contact, Tin, 250 VAC, Locking Lance Contact Retention, 14 – 10 AWG Wire Size, 2.1 – 5.3 mm<sup>2</sup> Wire Size, Crimp, Phosphor Bronze, 0.140 MATE-N-LOK

[View on TE.com >](#)



Connectors > Contacts > Connector Contacts



Contact Type: **Pin**

Contact Mating Area Plating Material: **Tin**

Wire Contact Termination Area Plating Material: **Pre-Tin**

Operating Voltage: **250 VAC**

Contact Retention Within Housing: **With**

## Features

### Electrical Characteristics

Operating Voltage	250 VAC
-------------------	---------

### Contact Features

Mating Pin Diameter	3.56 mm[.14 in]
Wire Contact Termination Area Plating Thickness	1 – 3 μm[39.37 – 118.11 μin]
Wire Contact Termination Area Plating Material Finish	Bright
Contact Orientation	Straight
Contact Type	Pin
Contact Mating Area Plating Material	Tin
Wire Contact Termination Area Plating Material	Pre-Tin
Contact Retention Within Housing	With
Contact Base Material	Phosphor Bronze
Contact Current Rating (Max)	17 A

### Termination Features

Termination Method to Wire & Cable	Crimp
------------------------------------	-------



Product Terminates To

Wire &amp; Cable

### Mechanical Attachment

Wire Insulation Support

With

Contact Retention Type Within Housing

Locking Lance

### Dimensions

Compatible Insulation Diameter Range

2.5 – 4.5 mm [.098 – .177 in]

Wire Size

2.1 – 5.3 mm<sup>2</sup>

### Usage Conditions

Operating Temperature Range

-55 – 105 °C [-67 – 221 °F]

### Operation/Application

Circuit Application

Power

### Packaging Features

Packaging Quantity

2500

Packaging Method

Carton

### Product Compliance

For compliance documentation, visit the product page on [TE.com](https://www.te.com)>

EU RoHS Directive 2011/65/EU

Compliant

EU ELV Directive 2000/53/EC

Compliant

China RoHS 2 Directive MIIT Order No 32, 2016

No Restricted Materials Above Threshold

EU REACH Regulation (EC) No. 1907/2006

Current ECHA Candidate List: JUNE 2023 (235)  
Candidate List Declared Against: JUNE 2023 (235)  
Does not contain REACH SVHC

Halogen Content

Low Halogen - Br, Cl, F, I < 900 ppm per homogenous material. Also BFR/CFR/PVC Free

Solder Process Capability

Not applicable for solder process capability

#### Product Compliance Disclaimer

This information is provided based on reasonable inquiry of our suppliers and represents our current actual knowledge based on the information they provided. This information is subject to change. The part numbers that TE has identified as EU RoHS compliant have a maximum concentration of 0.1% by weight in homogenous materials for lead, hexavalent chromium, mercury, PBB, PBDE, DBP, BBP, DEHP, DIBP, and 0.01% for cadmium, or qualify for an exemption to these limits as defined in the Annexes of Directive 2011/65/EU (RoHS2). Finished electrical and electronic equipment products will be CE marked as required by Directive 2011/65/EU. Components may not be CE marked. Additionally, the part numbers that TE has identified as EU ELV compliant have a maximum concentration of 0.1% by weight in homogenous

materials for lead, hexavalent chromium, and mercury, and 0.01% for cadmium, or qualify for an exemption to these limits as defined in the Annexes of Directive 2000/53/EC (ELV). Regarding the REACH Regulation, the information TE provides on SVHC in articles for this part number is based on the latest European Chemicals Agency (ECHA) 'Guidance on requirements for substances in articles' posted at this URL: <https://echa.europa.eu/guidance-documents/guidance-on-reach>

## Compatible Parts



TE Part # 1-480586-0  
09P .140 MNL CAP NAT



TE Part # 1-350347-0  
03P .140 MNL CAP PM NAT



TE Part # 1-480673-0  
09P .140 MNL CAP PM NAT



TE Part # 1-350345-0  
02P .140 MNL CAP P/M NAT



TE Part # 1-480512-0  
04P .140 MNL CAP NAT



TE Part # 794683-1  
09P .140 MNL CAP BLK HT



TE Part # 539764-1  
EXTRACTION TOOL



TE Part # 925450-1  
M-N-L PIN HSG



TE Part # 2151321-1  
OCEAN\_2.0\_APPLICATOR-S-140F190O180F



TE Part # 2151321-2  
OCEAN\_2.0\_APPLICATOR-S-140F190O180FA



TE Part # 7-2151321-1  
OCEAN\_2.0\_APPLICATOR-S-140F190O180F



TE Part # 7-2151321-2  
OCEAN\_2.0\_APPLICATOR-S-140F190O180FA



**KIT**  
REPRESENTATION ONLY

TE Part # 7-2151321-7  
OCEAN\_2.0\_SPARE\_PART\_KIT-140F190O180F



TE Part # 794061-1  
03P .140 MNL CAP BLK HT

Also in the Series | **0.140 MATE-N-LOK**



Connector Contacts(13)



Insertion & Extraction Tools(1)



Rectangular Power Connectors(1)

## Customers Also Bought



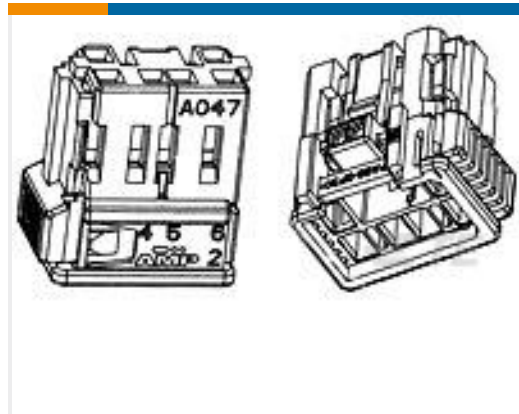
TE Part #2-1418448-1  
Heavy Duty Sealed Connector Series  
Housings



TE Part #174662-7  
12 POS PLUG MARK II+



TE Part #3-967626-1  
TAB HSG 2.8MM 9POS.



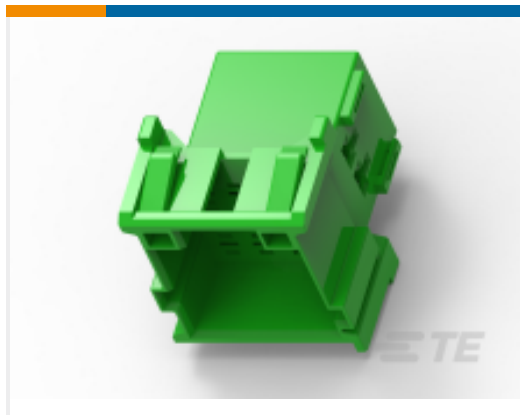
TE Part #282991-2  
CONN.NEW GEN.F. TRUCK



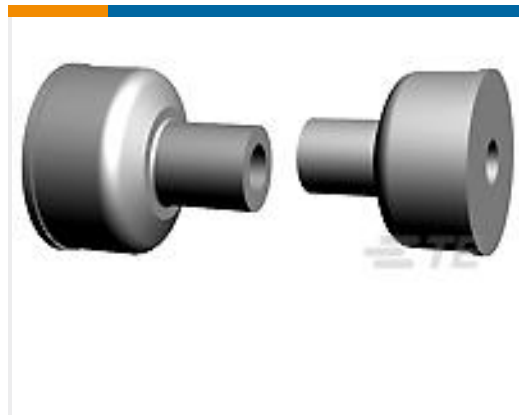
TE Part #1-962841-3  
TAB 2.8x0.8 CONTACT CS SRC Au



TE Part #1745000-4  
8POS MQS REC



TE Part #5-967627-1  
FLA-STE-GEH2,8 12P



TE Part #347713-1  
2.0MM CABLE SEAL HC SILIC



TE Part #7501716003  
RBK-ILS-125-NR4-0-75MM

## Documents

### Product Drawings

[.140 DIA PIN](#)

English

### CAD Files

[3D PDF](#)

English

### Customer View Model

[ENG\\_CVM\\_925713-2\\_L.2d\\_dxf.zip](#)



English

**Customer View Model**

[ENG\\_CVM\\_925713-2\\_L.3d\\_igs.zip](#)

English

**Customer View Model**

[ENG\\_CVM\\_925713-2\\_L.3d\\_stp.zip](#)

English

By downloading the CAD file I accept and agree to the [Terms and Conditions](#) of use.

---

**Product Specifications**

[Product Specification](#)

English