



MATE-N-LOK | Universal MATE-N-LOK

TE Internal #: 926299-3

Rectangular Power Connectors, Housing, Plug, Wire-to-Wire, 5 Position, 6.35 mm [.25 in] Centerline, Wire & Cable, UL 94V-0, Universal MATE-N-LOK

[View on TE.com >](#)

Connectors > Power Connectors > Rectangular Power > Rectangular Power Connectors



Rectangular Power Connector Type: **Housing**

Connector & Housing Type: **Plug**

Connector System: **Wire-to-Wire**

Number of Positions: **5**

Centerline (Pitch): **6.35 mm [.25 in]**

Features

Product Type Features

Rectangular Power Connector Type	Housing
Connector & Housing Type	Plug
Connector System	Wire-to-Wire
Sealable	No
Connector & Contact Terminates To	Wire & Cable

Configuration Features

Number of Positions	5
Number of Rows	1

Electrical Characteristics

Operating Voltage	600 VAC
-------------------	---------

Contact Features

Multiple Contact Types	Without
Contact Layout	Inline
Contact Retention Within Housing	Without



Contact Type	Socket
--------------	--------

Termination Features

Termination Method to Wire & Cable	Crimp
------------------------------------	-------

Mechanical Attachment

Panel Mount Feature	Without
---------------------	---------

Connector Mounting Type	Cable Mount (Free-Hanging)
-------------------------	----------------------------

Housing Features

Centerline (Pitch)	6.35 mm [.25 in]
--------------------	------------------

Housing Color	Natural
---------------	---------

Housing Material	Nylon
------------------	-------

Usage Conditions

Operating Temperature Range	-55 – 125 °C [-67 – 257 °F]
-----------------------------	-----------------------------

Operation/Application

Circuit Application	Power & Signal
---------------------	----------------

Industry Standards

CSA Rating	Certified, LR 7189
------------	--------------------

UL Rating	Recognized
-----------	------------

Compatible With Agency/Standards Products	CSA, UL, VDE
---	--------------

Compatible With Approved Standards Products	UL E28476
---	-----------

UL Flammability Rating	UL 94V-0
------------------------	----------

Glow Wire Rating	Standard Part - Not Glow Wire
------------------	-------------------------------

Packaging Features

Packaging Quantity	1000
--------------------	------

Packaging Method	Bag
------------------	-----

Product Compliance

[For compliance documentation, visit the product page on TE.com>](#)

EU RoHS Directive 2011/65/EU	Compliant
------------------------------	-----------

EU ELV Directive 2000/53/EC	Compliant
-----------------------------	-----------

China RoHS 2 Directive MIIT Order No 32, 2016	No Restricted Materials Above Threshold
---	---

EU REACH Regulation (EC) No. 1907/2006	Current ECHA Candidate List: JUNE 2023 (235)
--	--



Candidate List Declared Against: JUNE 2023 (235)

Does not contain REACH SVHC

Halogen Content

Low Halogen - Br, Cl, F, I < 900 ppm per homogenous material. Also BFR/CFR/PVC Free

Solder Process Capability

Not applicable for solder process capability

Product Compliance Disclaimer

This information is provided based on reasonable inquiry of our suppliers and represents our current actual knowledge based on the information they provided. This information is subject to change. The part numbers that TE has identified as EU RoHS compliant have a maximum concentration of 0.1% by weight in homogenous materials for lead, hexavalent chromium, mercury, PBB, PBDE, DBP, BBP, DEHP, DIBP, and 0.01% for cadmium, or qualify for an exemption to these limits as defined in the Annexes of Directive 2011/65/EU (RoHS2). Finished electrical and electronic equipment products will be CE marked as required by Directive 2011/65/EU. Components may not be CE marked. Additionally, the part numbers that TE has identified as EU ELV compliant have a maximum concentration of 0.1% by weight in homogenous materials for lead, hexavalent chromium, and mercury, and 0.01% for cadmium, or qualify for an exemption to these limits as defined in the Annexes of Directive 2000/53/EC (ELV). Regarding the REACH Regulation, the information TE provides on SVHC in articles for this part number is based on the latest European Chemicals Agency (ECHA) 'Guidance on requirements for substances in articles' posted at this URL: <https://echa.europa.eu/guidance-documents/guidance-on-reach>

Compatible Parts



TE Part # 926301-3
8P UN-MNL STECKGEH



TE Part # 350810-1
05P UMNL CAP HSG



TE Part # 926300-3
6P UN-MNL STECKGEH



TE Part # 350779-4
04P UMNL PLUG HSG UL94VO



TE Part # 1-480764-0
05P UMNL CAP HSG NATL



TE Part # 350779-1
04P UMNL PLUG HSG



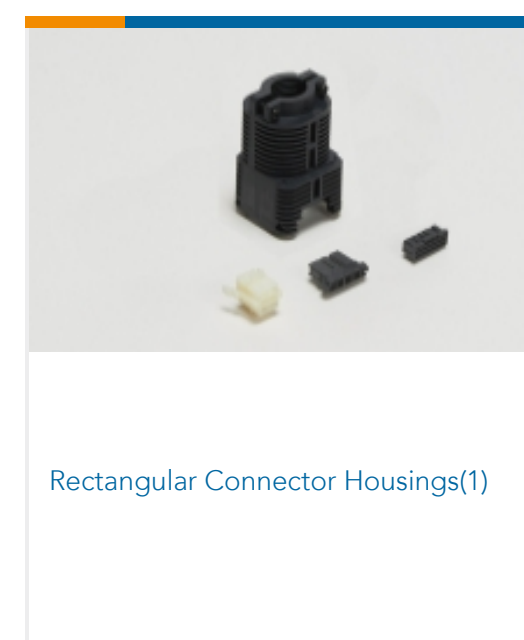
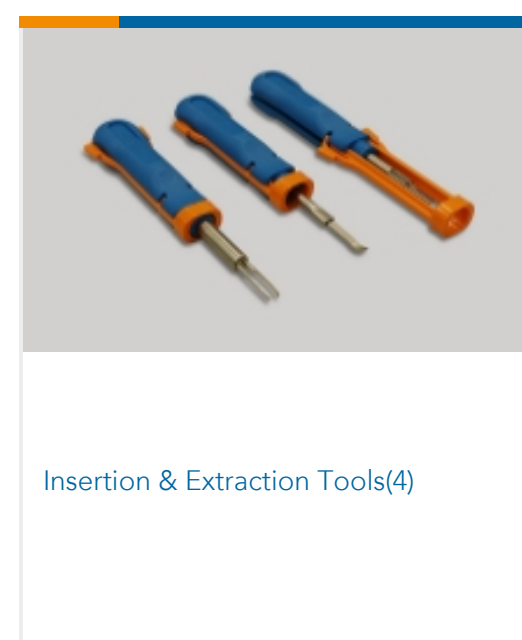
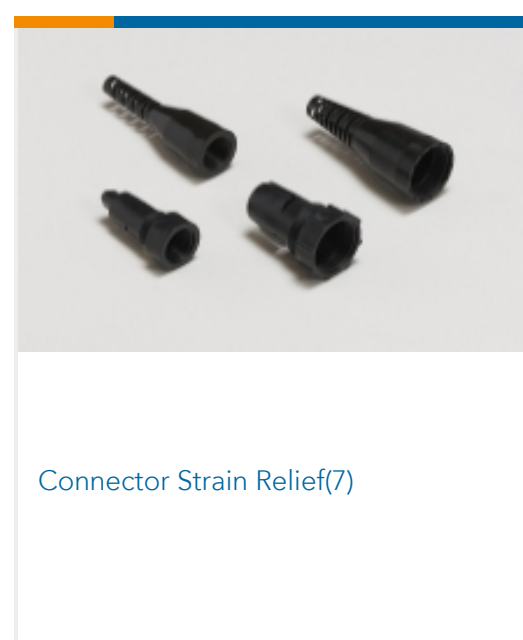
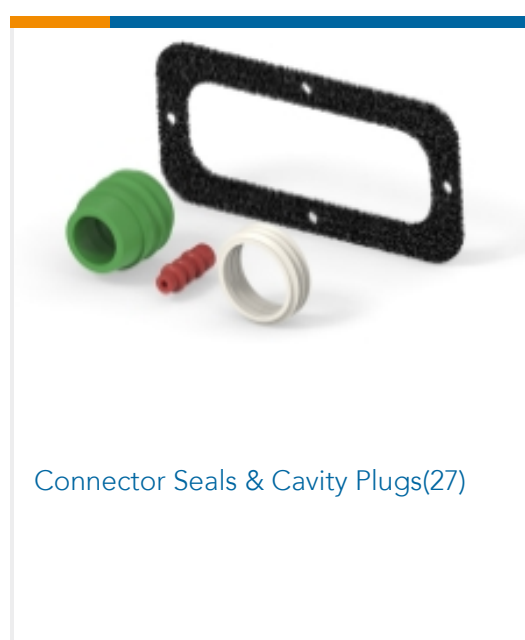
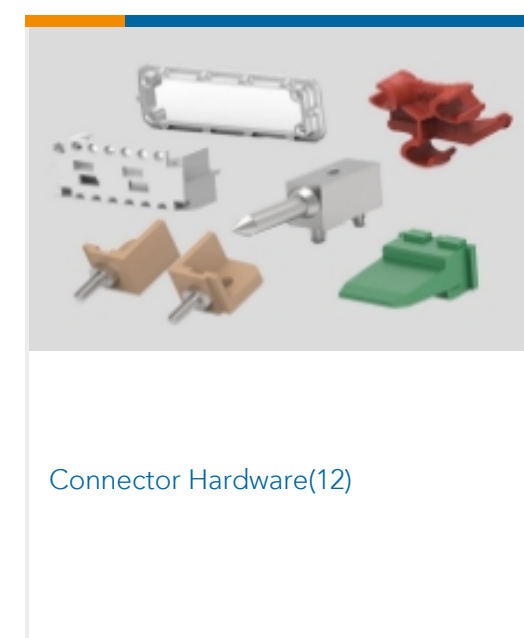
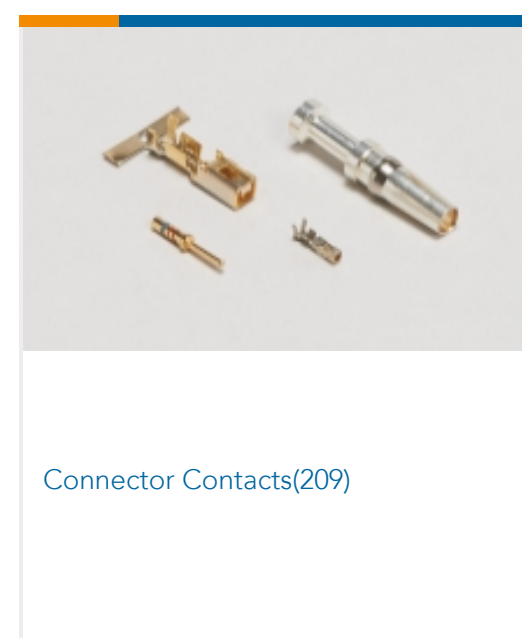
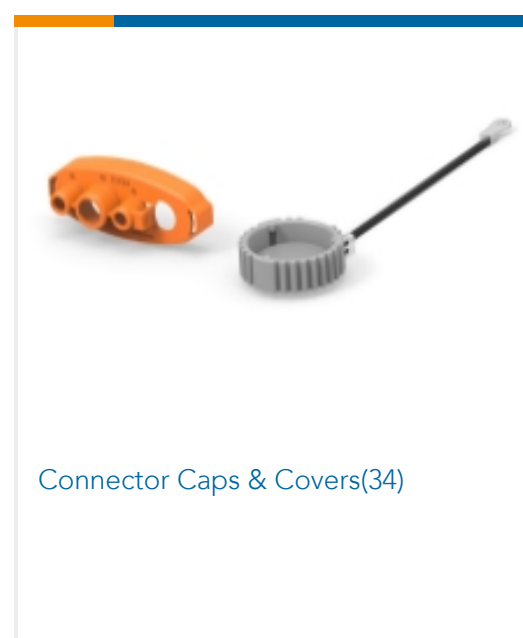
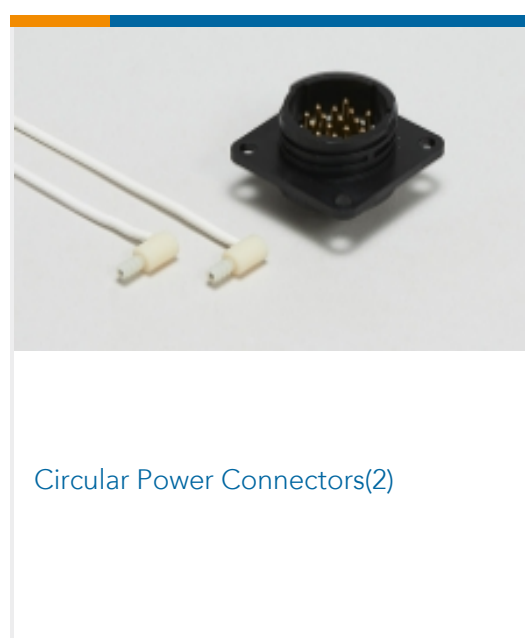
TE Part # 350720-4
09P UMNL PLUG HSG UL94VO



TE Part # 350777-4
02P UMNL PLUG HSG UL94VO



Also in the Series | Universal MATE-N-LOK





Rectangular Power Connectors(672)

Customers Also Bought



TE Part #103653-4
05 MTE SHRD PIN HSG SR LATCH



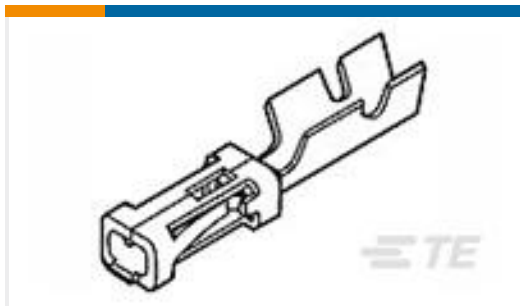
TE Part #350779-4
04P UMNL PLUG HSG UL94VO



TE Part #1-480764-0
05P UMNL CAP HSG NATL



TE Part #1-480711-0
15P UMNL CAP HSG NATL



TE Part #1-102316-4
MOD IV RECP LP



TE Part #7-1614894-7
CPF0805 2M0 0.1% 25PPM 5K RL



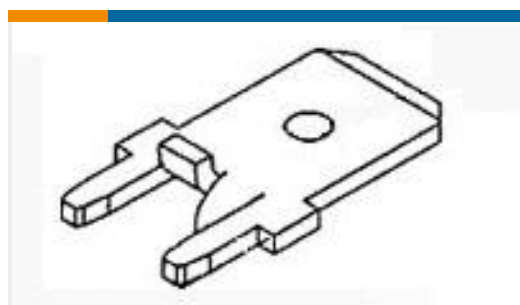
TE Part #W3P-P004
WEDGE LOCK



TE Part #5-103957-4
4X5 MTE RCPT SR LATCH .100CL



TE Part #926980-2
CI 2 STIFT



TE Part #1217421-1
250 FASTON,PCB TAB,TNBR

Documents

Product Drawings

[5P UN-MNL STECKGEH](#)

English

CAD Files

[3D PDF](#)

3D

Customer View Model

[ENG_CVM_CVM_926299-3_G_c-926299-3-g.2d_dxf.zip](#)



English

Customer View Model

[ENG_CVM_CVM_926299-3_G_c-926299-3-g.3d_igs.zip](#)

English

Customer View Model

[ENG_CVM_CVM_926299-3_G_c-926299-3-g.3d_stp.zip](#)

English

By downloading the CAD file I accept and agree to the [Terms and Conditions](#) of use.

Product Specifications

[Application Specification](#)

German