



## Power Relay Series 功率继电器系列--JY32FN

## FEATURES特点

- Microminiature relay  
Dimensions: 18.2×10.2×15.5(mm)  
超小型继电器  
尺寸: 18.2×10.2×15.5(mm)
- 20A switching capacity  
20A触点切换能力
- Contact: 1 Form A  
触点形式: 一组常开
- Reinforced insulation between coil and contact  
触点线圈间达到加强绝缘



## CONTACT PARAMETERS触点参数

Contact Form 触点形式		A-1组常开
Contact Material 触点材料		Ag Alloy
Rated Load 触点负载		10A 250VAC 18A 277VAC 20A 250VAC
Contact Resistance 接触电阻		Max. 100mΩ (6VDC 1A)
负载	Max.Switching Voltage 最大切换电压	277VAC/30VDC
	Max.Switching Current 最大切换电流	20A
Load	Max.Switching Power 最大切换功率	5540VA/600W
	Min.Switching Load 最小切换电压电流	5VDC, 100mA
寿命	Mechanical durability 电寿命	100, 000次
Life	The durability of electricity 机械寿命	10, 000, 00次

## CHARACTERISTICS性能参数

Contact Materials触点材料	Ag Alloy银合金	
Contact Resistance接触电阻	100mΩ Max	
Operate Time吸合时间	10ms. Max	
Release Time释放时间	10ms. Max	
Insulation Resistance绝缘电阻	100MΩ Min.(DC500V)	
Initial Dielectric Strength介质耐压	between open contacts: 触点与触点间:	AC1,000V,50/60Hz 1Min
	between contacts and coil: 触点与线圈间:	AC4,000V,50/60Hz 1Min
Vibration Resistance抗振动	Damage limits: 耐久:	10~55Hz Double Amplitude双振幅1.5mm
	Malfunction: 误动作:	10~55Hz Double Amplitude双振幅1.5mm
Shock Resistance抗冲击	Damage limits: 耐久:	100G Min
	Malfunction: 误动作:	10G Min
Life寿命	Mechanical Life (10800 per hour) 机械寿命 (每小时10800次)	1×10 <sup>7</sup>
	Electrical Life (600 per hour) 电气寿命 (每小时600次)	1×10 <sup>5</sup>



Ambient Temperature环境温度	-40 °C ~ +85 °C (No condensation) (不冷凝)
Unit Weight单位重量	约Approx.6.0g

### COIL DATA Ambient Temperature: 23°C 线圈规格表 环境温度: 23°C

Model 型号规格	Nominal Voltage VDC 线圈额定电压 VDC	Coil Resistance $\Omega$ +/-10% 线圈电阻 $\Omega$ (1±10%)	Operate Voltage $\leq$ VDC 吸合电压VDC	Release Voltage $\geq$ VDC 释放电压VDC	Coil Power mW 额定线圈功率mW
JY32FN-S-DC3V-A	3	20.0	2.25	0.15	450
JY32FN-S-DC5V-A	5	55.6	3.75	0.25	
JY32FN-S-DC6V-A	6	80	4.5	0.30	
JY32FN-S-DC9V-A	9	180	6.75	0.45	
JY32FN-S-DC12V-A	12	320	9.0	0.60	
JY32FN-S-DC18V-A	18	720	12.6	0.90	
JY32FN-S-DC24V-A	24	1280	18.0	1.20	
JY32FN-S-DC48V-A	48	5120	36.0	2.40	
JY32FNH-S-DC3V-A	3	45	2.25	0.15	200
JY32FNH-S-DC5V-A	5	125	3.75	0.25	
JY32FNH-S-DC6V-A	6	180	4.5	0.30	
JY32FNH-S-DC9V-A	9	405	6.75	0.45	
JY32FNH-S-DC12V-A	12	720	9.0	0.60	
JY32FNH-S-DC18V-A	18	1620	12.6	0.90	
JY32FNH-S-DC24V-A	24	2880	18.0	1.20	
JY32FNH-S-DC48V-A	48	11520	36.0	2.40	

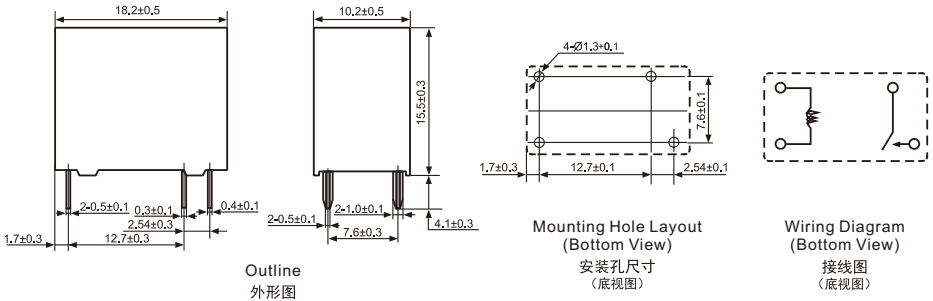
### ORDERING INFORMATION 订货标记

JYT32FN-S-DC12V-A-(XXX) <u>1</u> <u>2</u> <u>3</u> <u>4</u> <u>5</u>	
1. Model Number基本型号 JY32FN/JY32FNH  2. Encapsulation form:S-Plastic Sealed SH:Fluk proofed 封装形式: S-塑封型 SH-防焊剂型  3. Coil Voltage线圈规格: DC3V,DC5V,DC6V,DC9V,DC12V,DC18V,DC24V,	4. Contact form: A-1Form A 触点形式: A-1组常开  5. Customer Special Code :XXX- Customer Special Requirements No - Standard Type 客户特性号: XXX-客户特殊要求, 无-标准型

### SAFETY STANDARD 安规认证

AuthType Basic认证类别	CQC	TUV	UL/C_UL
Authentication Load 认证负载	10A 250VAC 18A 277VAC 20A 250VAC	10A 250VAC 18A 277VAC 20A 250VAC	10A 250VAC 18A 277VAC 20A 250VAC

OUTLINE, WIRING DIAGRAM, MOUNTING HOLE LAYOUT (UNIT: mm) 外形图、接线图、安装孔尺寸(单位: mm)



TYPICAL USE 典型用途

- Household equipment, Office equipment, Audio, Smart home, Smart socket, Etc..
- 家用设备, 办公设备, 音响, 智能家居, 智能插座等

PERFORMANCE CHART 性能曲线图

