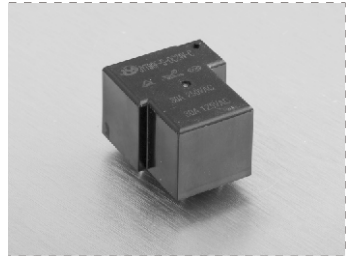


Power Relay Series 功率继电器系列--JYT90F

FEATURES特点

- Up to 50A contact switching capability
高达50A触点切换能力
- 2.5kV dielectris strength(between coil and contacts)
线圈与触点间介质耐压2.5kV
- sealed types and opened types
可提供密封型或敞开型
- Overall dimensions (32X27.4X19.8)mm
外形尺寸(32X27.4X19.8) mm



50A 250VAC/30VDC

CONTACT PARAMETERS触点参数

Contact Form触点形式	A-1组常开		B-1组常闭		C-1组转换	
Rating Load (Resistive) 额定负载	20A 250VAC/ 125VAC/30VDC	30A 250VAC/ 125VAC/30VDC	40A 250VAC/ 125VAC/30VDC	50A 250VAC/ 125VAC/30VDC		
Max. Switching Current最大切换电流	20A	30A	40A	50A		
Max.Switching Voltage最大切换电压	250VAC	250VAC	250VAC	277VAC		
Max.Switching Power最大切换功率	5000VA/600W	7500VA/900W	10000VA/1200W	13850VA/1500W		

CHARACTERISTICS性能参数

Contact Materials触点材料	Ag Alloy银合金	
Contact Resistance接触电阻	100mΩ Max	
Operate Time吸合时间	15ms. Max	
Release Time释放时间	10ms. Max	
Insulation Resistance绝缘电阻	1000MΩ Min.(DC500V)	
Initial Dielectric Strength介质耐压	between open contacts: 触点与触点间:	AC1,500V,50/60Hz 1Min
	between contacts and coil: 触点与线圈间:	AC2,500V,50/60Hz 1Min
Vibration Resistance抗振动	Damage limits: 耐久:	10~55Hz Double Amplitude双振幅1.5mm
	Malfunction: 误动作:	10~55Hz Double Amplitude双振幅1.5mm
Shock Resistance抗冲击	Damage limits: 耐久:	100G Min
	Malfunction: 误动作:	10G Min
Life寿命	Mechanical Life (10800 per hour) 机械寿命(每小时10800次)	1×10 ⁷
	Electrical Life (600 per hour) 电气寿命(每小时600次)	1×10 ⁵
Ambient Temperature环境温度	- 40°C ~ +105°C (No condensation) (不冷凝)	
Unit Weight单位重量	约Approx.27.0g	

COIL RATINGS (at 23°C) 线圈参数 (在 23°C)

Coil Nominal Voltage 额定电压 (VDC)	Nominal Current 额定电流 ±10%(mA)	Coil Resistance 线圈电阻 ±10% (Ω)	Max. Continuous Voltage 最大连续外加电压	Pick-Up Voltage 吸合电压 (Max)	Drop-Out Voltage 释放电压 (Min)	Rated power 额定功率
5	180.00	27	Coil Nominal Voltage 130% 额定电压的 130%	Coil Nominal Voltage 75% 额定电压的 75%	Coil Nominal Voltage 10% 额定电压的 10%	About 0.90W 约0.90W
6	150.00	40				
9	100.00	90				
12	75.00	160				
18	50.00	360				
24	37.50	640				
48	18.75	2,560				
110	8.20	13,400	Coil Nominal Voltage 130% 额定电压的 130%	Coil Nominal Voltage 75% 额定电压的 75%	Coil Nominal Voltage 10% 额定电压的 10%	About 1.3 W 约 1.3 W
5	260	19				
6	216	28				
9	144	62				
12	108	110				
18	72	249				
24	54	443				
48	27	1772				

ORDERING INFORMATION 订货标记

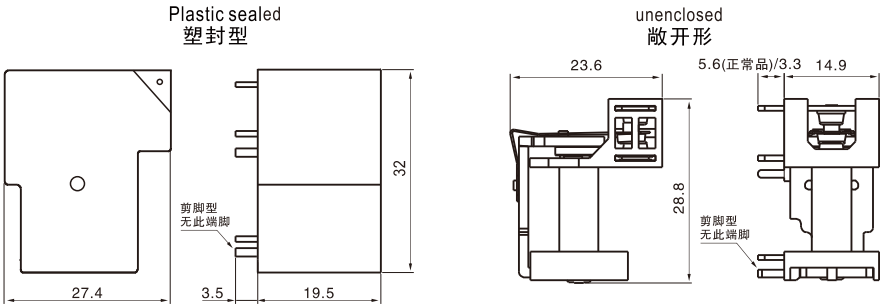
JYT90F-S-DC12V-A-G-R (XXX) 1 2 3 4 5 6 7	
1. Model Number 基本型号 JYT90F 2. Encapsulation form: S-Plastic Sealed SH:Fluk proofed Blank:Unenclosed 封装形式: S-塑封型 SH-防焊剂型 无-敞开型 3. Coil Voltage 线圈规格: DC5V, DC6V, DC9V, DC12V, DC15V, DC18V, DC24V, DC48V, DC110V	4. Contact form: A-1Form A, B-1Form B, C-1Form C 触点形式: A-1组常开 B-1组常闭 C-1组转换 5. Coil Power: 无-0.9W, G-1.3W 线圈功率: 无-0.9W, G-1.3W 6. Yoke terminal: No-standard type(double terminal) R-Cutting type(single terminal) 轭铁端脚: 无-标准型(双脚), R-剪脚型(单脚) 7. Customer Special Code: XXX-Customer Special Requirements No - Standard Type 客户特性号: XXX-客户特殊要求, 无-标准型

SAFETY STANDARD安规认证

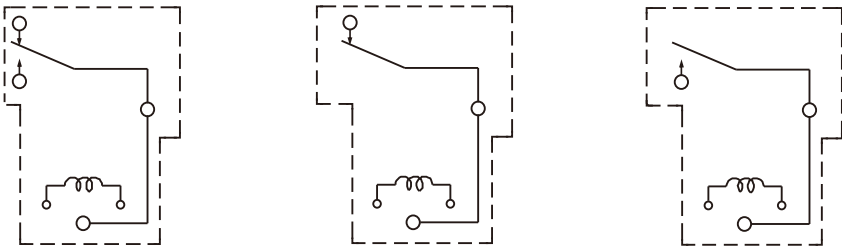
AuthType Basic认证类别	CQC	TUV	UL/C_UL
Authentication Load 认证负载	20A 250VAC/125VAC/30VDC 30A 250VAC/125VAC/30VDC 40A 250VAC/125VAC/30VDC 50A 250VAC/125VAC/30VDC	20A 250VAC/125VAC/30VDC 30A 250VAC/125VAC/30VDC 40A 250VAC/125VAC/30VDC 50A 250VAC/125VAC/30VDC	20A 250VAC/125VAC/30VDC 30A 250VAC/125VAC/30VDC 40A 250VAC/125VAC/30VDC 50A 250VAC/125VAC/30VDC

OUTLINE, WIRING DIAGRAM, MOUNTING HOLE LAYOUT (UNIT: mm) 外形图、接线图、安装孔尺寸(单位:mm)

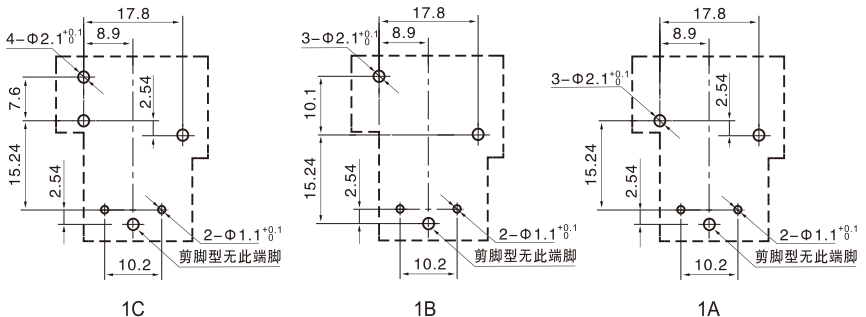
30A/40A 产品



Outline
外形图



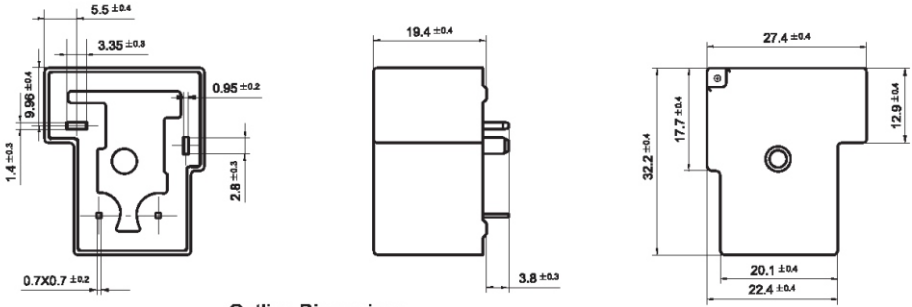
Wiring diagram (bottom view)
接线图(底视图)



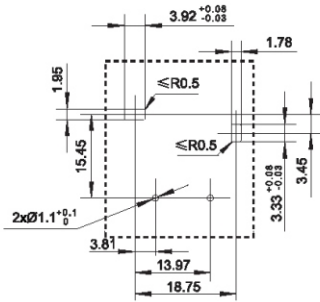
Mounting hole size (bottom view)
安装孔尺寸(底视图)

OUTLINE, WIRING DIAGRAM, MOUNTING HOLE LAYOUT (UNIT: mm) 外形图、接线图、安装孔尺寸 (单位: mm)

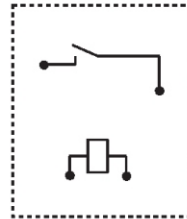
50A 产品A型



Outline Dimensions
外形图



Mounting hole size (bottom view)
安装孔尺寸 (底视图)



Wiring diagram (bottom view)
接线图 (底视图)

Undimensioned tolerance: <1mm: ±0.2mm 1~5mm: ±0.3mm >5mm: ±0.4mm
未标注尺寸公差: <1mm: ±0.2mm 1~5mm: ±0.3mm >5mm: ±0.4mm

Note: 1.The size of the lead foot is pre welding dimension. 注: 1、引出脚尺寸为预焊前尺寸
2.installation hole size tolerance: + 0.1mm 2、安装孔尺寸公差: ±0.1mm

TYPICAL USE 典型用途

- Thermostat ● Heaters and ventilation ● Air Condition ● Household appliances
- 温控器 ● 加热器和通风装置 ● 空调 ● 家用电器

PERFORMANCE CHART 性能曲线图

