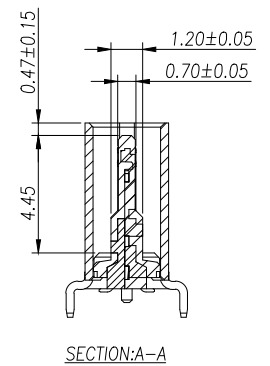
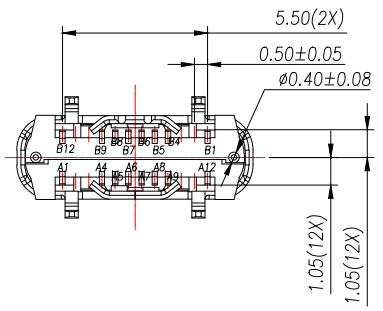
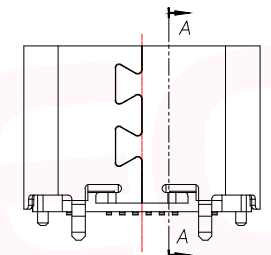
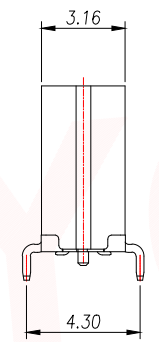
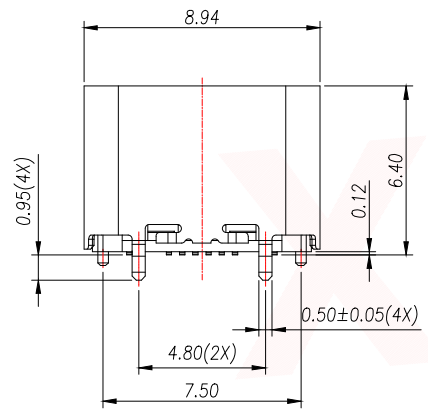
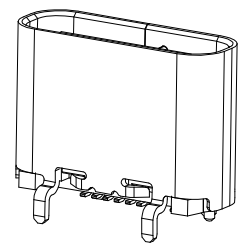
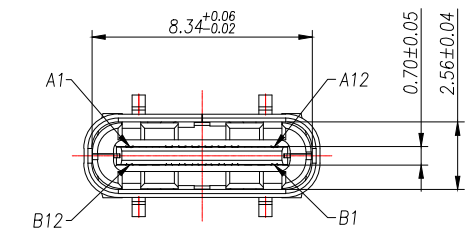


REV.	Q'TY	ECN. NO.	APR.	DATE

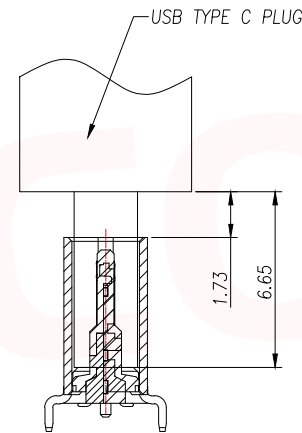
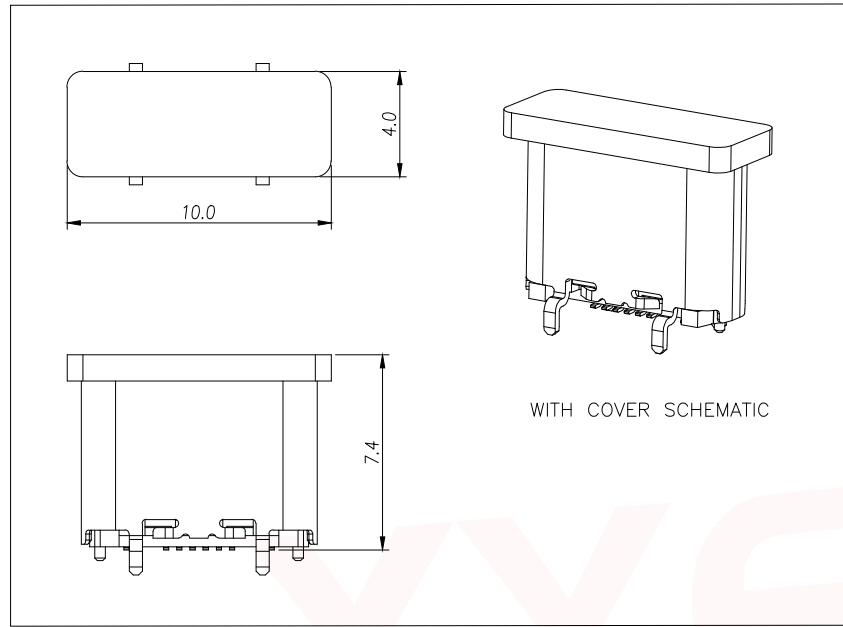


NOTE:

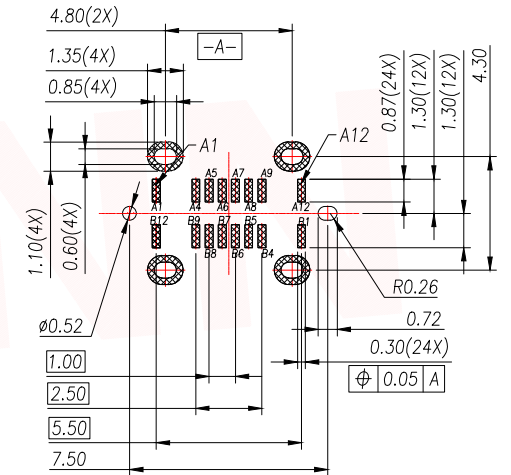
- MATERIAL SPECIFICATION:
 - HOUSING: PA9T, BLACK, UL94 V-0.
 - TERMINAL: COPPER ALLOY (C1814)
 - MID PLATE: STAINLESS STEEL (SUS301)
 - FRONT SHELL: STAINLESS STEEL (SUS304)
 - TOP SHELL: STAINLESS STEEL (SUS304)
- PLATING SPECIFICATION:
 - CONTACTS:
 - Ni 50u" MIN. UNDER PLATED OVER ALL.
 - GOLD-FLASH PLATED ON THE FUNCTIONAL AREA OF CONTACT.
 - GOLD-FLASH PLATED ON THE SOLDER
 - FRONT SHELL & TOP SHELL:
 - Ni 30u" MIN. UNDER PLATED OVER ALL.
 - MID PLATE:
 - CLEAR ONLY
- MECHANICAL PERFORMANCE:
 - INSERTION FORCE: 0.5~2.0kgf.
 - REMOVAL FORCE: 0.8kgf~2.0kgf.
 - DURABILITY: 10000 CYCLES.
- ELECTRICAL PERFORMANCE:
 - VOLTAGE RATING: 5 V DC/AC (RMS. max)
 - CURRENT RATING: 5 AMPS. FOR TOTAL VBUS/GND PINS; 1.25AMPS FOR CC PIN, 0.25 AMPS. FOR ALL OTHER CONTACT.
 - LLCR:
 - VBUS & GND PINS AND OTHER PINS: 40mΩ/PIN MAX.
 - SHIELD: 50mΩ/MAX.
 - LLCR MAX. CHANGE OF ALL PINS: 10mΩ.
 - INSULATION RESISTANCE: 100MΩ MIN
 - DIELECTRIC WITHSTAND VOLTAGE, AC 100V FOR 1 MINUTE.
- ENVIRONMENTAL PERFORMANCE:
 - OPERATING TEMPERATURE: -40°C~+85°C.
- IR REFLOW:
 - THE PEAK TEMPERATURE ON THE BOARD SHALL BE MAINTAINED FOR 10 SECONDS AT 260°C.

DIMENSION IN mm		厦门市辛译精密电子有限公司 Xiamen XinYi Xyecom Electronics Co.,Ltd			
TOLERANCE UNLESS OTHERWISE SPECIFIED					
.X±0.35	X.*±5°	APR.	Alex	TITLE: USB CF 16PIN VERTICAL W/O EMI SPRING, HIGHT 6.4	
.XX±0.25	.X.*±3°	CHK.	Jack	DWG NO. TYPE-C-F08-2TDW	
.XXX±0.15	.XX.*±1°	DRA.	Can	PROJ. CUSTOMER DRAWING	
		SIZE A4	SCALE 1:1	SHEET 1/3	REV. A

REV.	Q'TY	ECN. NO.	APR.	DATE



FEMALE AND MALE MATCHING DRAWING



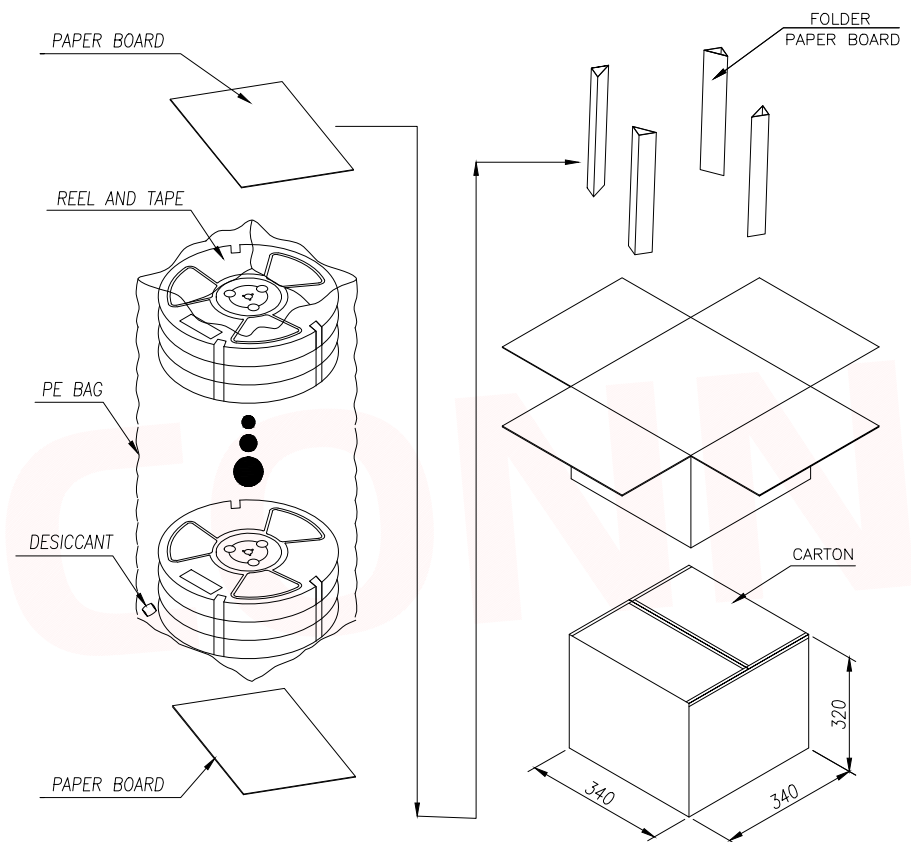
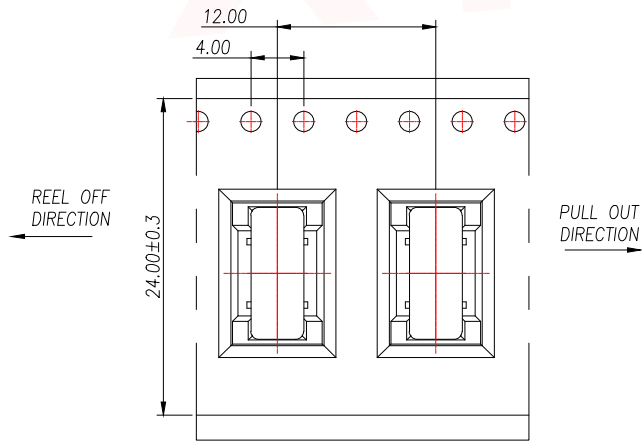
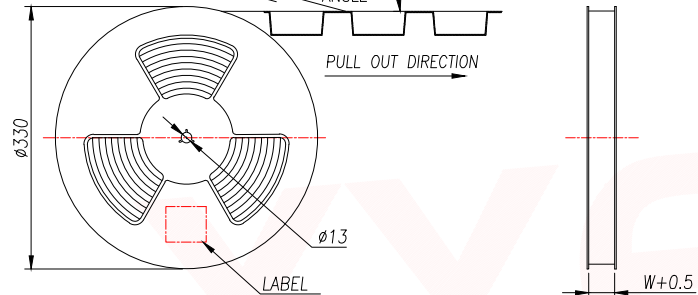
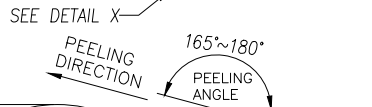
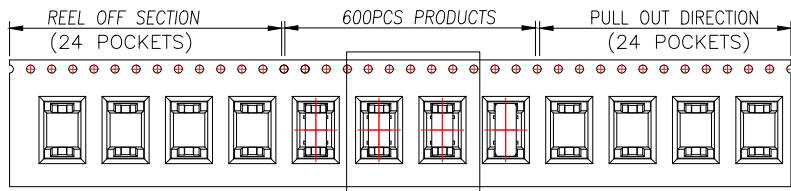
RECOMMENDED PCB LAYOUT(TOP VIEW)
THICKNESS 0.8±0.10MM;DEFAULT TOLERANCE:±0.05

USB TYPE-C PIN ASSIGNMENTS

PIN NUMBER	SIGNAL NAME	PIN NUMBER	SIGNAL NAME
A1		B12	GND
A2		B11	
A3		B10	
A4		B9	VBUS
A5	CC1	B8	
A6		B7	
A7		B6	
A8		B5	CC2
A9	VBUS	B4	
A10		B3	
A11		B2	
A12	GND	B1	

DIMENSION IN mm		厦门市辛译精密电子有限公司 Xiamen XinYi Xyconn Electronics Co.,Ltd		
TOLERANCE UNLESS OTHERWISE SPECIFIED		APR. Alex	TITLE: USB CF 16PIN VERTICAL W/O EMI SPRING,HIGHT 6.4	
.X±0.35	X.*± 5*	CHK. Jack	DWG NO. TYPE-C-F08-2TDW	
.XX±0.25	.X*± 3*	DRA. Can	PROJ. CUSTOMER DRAWING	
.XXX±0.15	.XX*± 1*	SIZE A4	SCALE 1:1	SHEET 2/3
			REV. A	

REV.	Q'TY	ECN. NO.	APR.	DATE



	REEL/TRAY	CARTON
CONNECTOR (PCS)	600	6000

DIMENSION IN mm		厦门市辛译精密电子有限公司 Xiamen XinYi Xyconn Electronics Co.,Ltd		
TOLERANCE UNLESS OTHERWISE SPECIFIED		TITLE: USB CF 16PIN VERTICAL W/O EMI SPRING,HIGHT 6.4		
.X±0.35	X.*± 5'	APR.	Alex	DWG NO. TYPE-C-F08-2TDW
.XX±0.25	.X*± 3'	CHK.	Jack	PROJ. CUSTOMER DRAWING
.XXX±0.15	.XX*± 1'	DRA.	Can	SIZE A4 SCALE 1:1 SHEET 3/3 REV. A