

87133-1 ✓ ACTIVE

AMPMODU | AMPMODU LOCKING CLIP

TE Internal #: 87133-1

Housing, Receptacle, Wire-to-Board, 4 Position, .1 in [2.54 mm]  
Centerline, Crimp, 2 Row, Black, Wire & Cable, Power & Signal,  
AMPMODU LOCKING CLIP

[View on TE.com >](#)



Connectors > PCB Connectors > Wire-to-Board Connectors > Wire-to-Board Connector Assemblies & Housings



Connector Product Type: **Housing**

Connector & Housing Type: **Receptacle**

Connector System: **Wire-to-Board**

Number of Positions: **4**

Centerline (Pitch): **2.54 mm [ .1 in ]**

## Features

### Product Type Features

Connector Product Type	Housing
Connector & Housing Type	Receptacle
Connector System	Wire-to-Board
Connector & Contact Terminates To	Wire & Cable

### Configuration Features

Number of Positions	4
Number of Rows	2

### Electrical Characteristics

Termination Resistance	12 mΩ
Insulation Resistance	5000 MΩ
Dielectric Withstanding Voltage (Max)	750 V
Operating Voltage	250 VAC

### Body Features

Primary Product Color	Black
-----------------------	-------

### Contact Features

Contact Type	Socket
Contact Base Material	Phosphor Bronze
Contact Current Rating (Max)	3 A



### Termination Features

Termination Method to Wire & Cable	Crimp
------------------------------------	-------

### Mechanical Attachment

Mating Retention	Without
------------------	---------

### Housing Features

Housing Entry Configuration	Both Ends Closed
Housing Material	Polyester GF
Centerline (Pitch)	2.54 mm[.1 in]

### Dimensions

Connector Length	5.49 mm[.216 in]
Connector Height	7.62 mm[.3 in]
Row-to-Row Spacing	2.54 mm[.1 in]

### Usage Conditions

Operating Temperature Range	-65 – 105 °C[-85 – 221 °F]
-----------------------------	----------------------------

### Operation/Application

Circuit Application	Power & Signal
---------------------	----------------

### Industry Standards

Glow Wire Rating	Standard Part - Not Glow Wire
Compatible With Approved Standards Products	CSA LR7189, UL E28476
UL Flammability Rating	UL 94V-0

### Packaging Features

Packaging Quantity	1
Packaging Method	Package

### Product Compliance

[For compliance documentation, visit the product page on TE.com>](#)

EU RoHS Directive 2011/65/EU	Compliant
EU ELV Directive 2000/53/EC	Compliant
China RoHS 2 Directive MIIT Order No 32, 2016	No Restricted Materials Above Threshold
EU REACH Regulation (EC) No. 1907/2006	Current ECHA Candidate List: JUNE 2023 (235) Candidate List Declared Against: JUNE 2023 (235)



Does not contain REACH SVHC

Halogen Content

Not Low Halogen - contains Br or Cl > 900 ppm.

Solder Process Capability

Not applicable for solder process capability

Product Compliance Disclaimer

This information is provided based on reasonable inquiry of our suppliers and represents our current actual knowledge based on the information they provided. This information is subject to change. The part numbers that TE has identified as EU RoHS compliant have a maximum concentration of 0.1% by weight in homogenous materials for lead, hexavalent chromium, mercury, PBB, PBDE, DBP, BBP, DEHP, DIBP, and 0.01% for cadmium, or qualify for an exemption to these limits as defined in the Annexes of Directive 2011/65/EU (RoHS2). Finished electrical and electronic equipment products will be CE marked as required by Directive 2011/65/EU. Components may not be CE marked. Additionally, the part numbers that TE has identified as EU ELV compliant have a maximum concentration of 0.1% by weight in homogenous materials for lead, hexavalent chromium, and mercury, and 0.01% for cadmium, or qualify for an exemption to these limits as defined in the Annexes of Directive 2000/53/EC (ELV). Regarding the REACH Regulation, the information TE provides on SVHC in articles for this part number is based on the latest European Chemicals Agency (ECHA) 'Guidance on requirements for substances in articles' posted at this URL: <https://echa.europa.eu/guidance-documents/guidance-on-reach>

### Compatible Parts



TE Part # 5-87165-2  
LOCKING CLIP ASSY .025 SQ LP



TE Part # 87179-1  
LOCKING CLIP KEYING PLUG



TE Part # 87190-1  
LOCKING CLIP CONT ASSY .025 SQ



TE Part # 867052-2  
LOCKING CLIP CONT ASSY .025 SQ



TE Part # 5-87124-2  
LOCKING CLIP CONT ASY .025 SQ



TE Part # 87124-1  
LOCKING CLIP CONT ASSY .025 SQ



TE Part # 5-867052-1  
LOCKING CLIP CONT ASSY .025 SQ



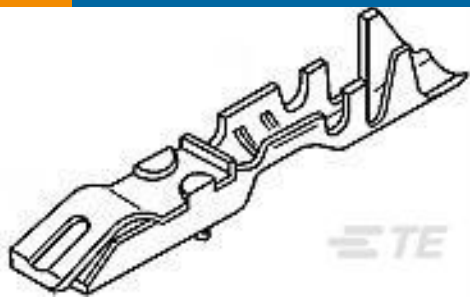
TE Part # 5-87191-2  
LOCKING CLIP ASSY .025 SQ LP



TE Part # 867052-1  
LOCKING CLIP CONT ASSY .025 SQ



TE Part # 87165-1  
LOCKING CLIP ASSY .025 SQ LP



TE Part # 87165-2  
LOCKING CLIP ASSY .025 SQ LP



TE Part # 5-147292-3  
04 MODII HDR DR SFMT B/A T&R



TE Part # 5-147279-4  
04 MODII HDR DR SFMT B/A T&R LF



TE Part # 5-103326-2  
04 MODII HDR DRRR B/A .100CL



TE Part # 87191-1  
LOCKING CLIP ASSY .025 SQ LP



TE Part # 5-103330-2  
04 MODII HDR DRRR B/A .100 CL LF



TE Part # 5-103795-2  
04 MODII HDR DRRR B/A .100CL LF



TE Part # 5-146259-2  
04 MODII HDR DRST B/A .100 LF

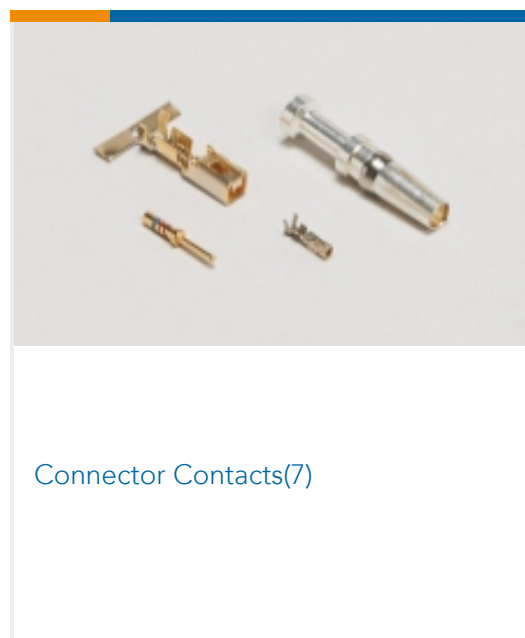


TE Part # 5-147292-7  
24 MODII HDR DR SFMT B/A T&R

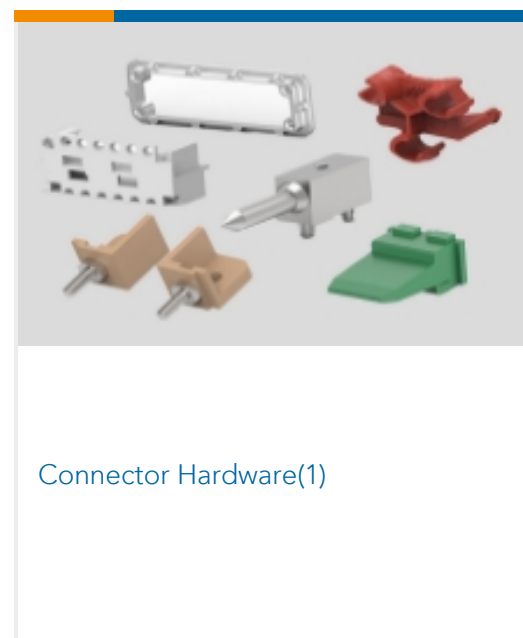


TE Part # 6-103795-2  
24 MODII HDR DRRR B/A .100CL

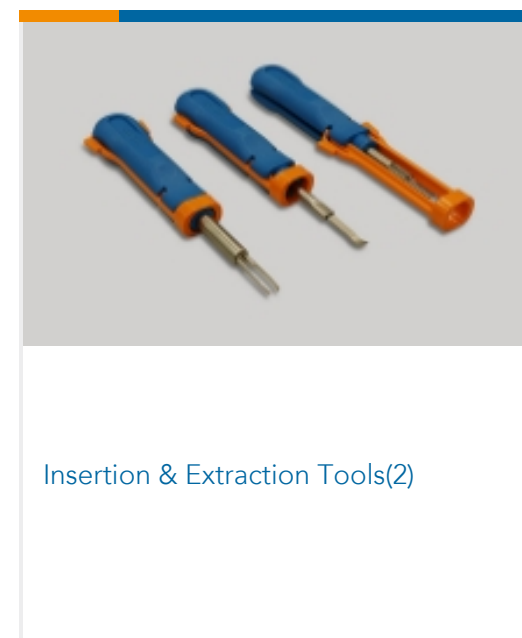
Also in the Series | AMPMODU LOCKING CLIP



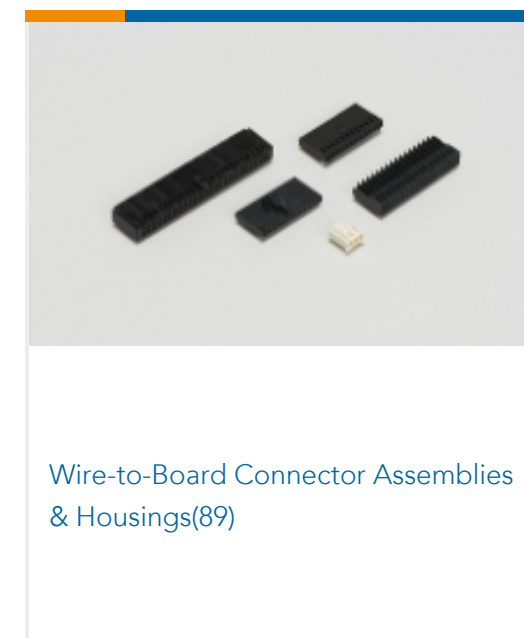
Connector Contacts(7)



Connector Hardware(1)



Insertion & Extraction Tools(2)



Wire-to-Board Connector Assemblies & Housings(89)

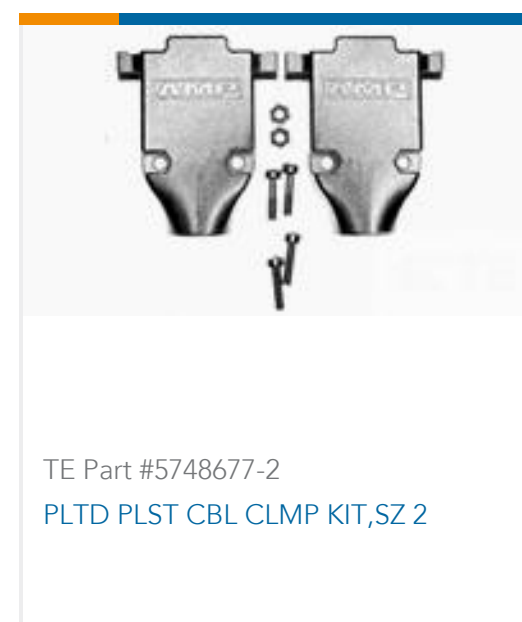
Customers Also Bought



TE Part #208457-1  
CMC PLUG ASSEMBLY,SZ 28-24



TE Part #T4110502041-000  
M12,FEMALE,STRAIGHT,D CODE,4P, PG9,GOLD



TE Part #5748677-2  
PLTD PLST CBL CLMP KIT,SZ 2



TE Part #5748677-3  
PLTD PLST CBL CLMP KIT,SZ 3



TE Part #2-552008-1  
KIT, COVER, 180, 50 POS



TE Part #87124-1  
LOCKING CLIP CONT ASSY .025 SQ



TE Part #87133-8  
06 LOCKING CLIP HSG DR MRKD



TE Part #353785-000  
55A1121-24-9/96-9CS2275



## Documents

### CAD Files

#### 3D PDF

3D

#### Customer View Model

[ENG\\_CVM\\_CVM\\_87133-1\\_AA.2d\\_dxf.zip](#)

English

#### Customer View Model

[ENG\\_CVM\\_CVM\\_87133-1\\_AA.3d\\_igs.zip](#)

English

#### Customer View Model

[ENG\\_CVM\\_CVM\\_87133-1\\_AA.3d\\_stp.zip](#)

English

By downloading the CAD file I accept and agree to the [Terms and Conditions](#) of use.

### Datasheets & Catalog Pages

[AMPMODU\\_INTERCONNECTION\\_SYSTEM\\_SECTION5\\_CONT](#)

English

### Product Specifications

[Application Specification](#)

English

### Instruction Sheets

[Instruction Sheet \(U.S.\)](#)

English

[AMPMODU Locking Clip Contacts and Housings for 0.64mm Square Posts](#)

English

### Agency Approvals

[UL](#)

English