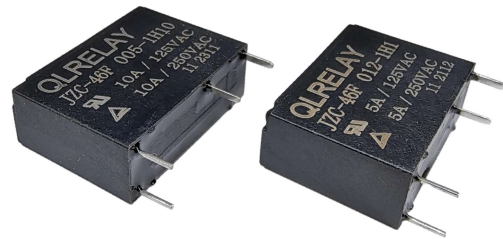


Power Relay Series 功率继电器系列--JZC-46F

FEATURES特点

- 10A contact switching capability
10A触点切换能力
- Plastic sealed and dust protected types available
塑封型和防尘罩型可供选择
- 1 Form A configurayions
具有一组常开触点形式
- Overall dimensions (20.5X7.0X15.1) mm
外形尺寸 (20.5X7.0X15.1) mm



CONTACT PARAMETERS触点参数

Contact Form触点形式	A-1组常开
Rating Load (Resistive) 额定负载 (阻性)	5A/7A/10A 250VAC/30VDC
Max. Switching Current最大切换电流	5A/7A/10A
Max. Switching Voltage最大切换电压	250VAC/30VDC
Max. Switching Power最大切换功率	2500VA/300W

CHARACTERISTICS性能参数

Contact Materials触点材料	Ag Alloy银合金	
Contact Resistance接触电阻	100mΩ Max	
Operate Time吸合时间	10ms. Max	
Release Time释放时间	5ms. Max	
Insulation Resistance绝缘电阻	1000MΩ Min.(DC500V)	
Initial Dielectric Strength介质耐压	between open contacts: 触点与触点间:	AC750V,50/60Hz 1Min
	between contacts and coil: 触点与线圈间:	AC4,000V,50/60Hz 1Min
Vibration Resistance抗振动	Damage limits: 耐久:	10~55Hz Double Amplitude双振幅1.5mm
	Malfuction: 误动作:	10~55Hz Double Amplitude双振幅1.5mm
Shock Resistance抗冲击	Damage limits: 耐久:	100G Min
	Malfuction: 误动作:	10G Min
Life寿命	Mechanical Life (10800 per hour) 机械寿命 (每小时10800次)	5×10 ⁶
	Electrical Life (1800 per hour) 电气寿命 (每小时1800次)	1×10 ⁵
Ambient Temperature环境温度	-40℃ ~ +85℃ (No condensation) (不冷凝)	
Unit Weight单位重量	约Approx.3.0g	

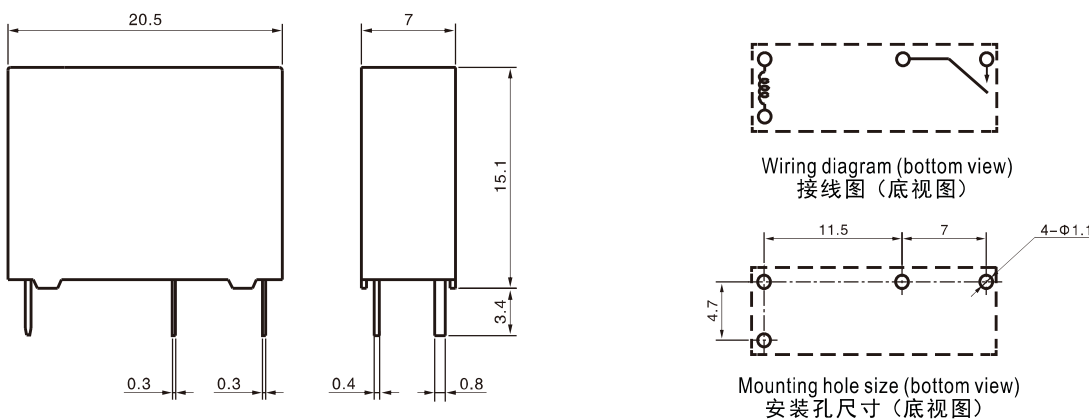
COIL RATINGS (at23°C) 线圈参数 (在23°C)

Coil Nominal Voltage 额定电压 (VDC)	Nominal Current 额定电流 ±10%(mA)	Coil Resistance 线圈电阻 ±10% (Ω)	Max. Continuous Voltage 最大连续外加电压	Pick-Up Voltage 吸合电压 (Max)	Drop-Out Voltage 释放电压 (Min)	Rated power 额定功率
3	66.67	45	Coil Nominal Voltage 130% 额定电压的 130%	Coil Nominal Voltage 75% 额定电压的 75%	Coil Nominal Voltage 10% 额定电压的 10%	0.20W
5	40.00	125				
6	33.33	180				
9	22.22	405				
12	16.67	720				
18	11.11	1,620				
24	8.57	2,880				

ORDERING INFORMATION 订货标记

JZC-46F 012 - 1H 1 (XXX)	
1 2 3 4 5	
1. Model Number 基本型号 JZC-46F	4. Encapsulation form: 1-Plastic Sealed 2:Fluk proofed 封装形式: 1-塑封型 2-防焊剂型
2. Coil Voltage 线圈规格 (VDC): DC3V, DC5V, DC6V, DC9V, DC12V, DC18V, DC24V	5. Customer Special Code :XXX- Customer Special Requirements No - 5A Type 7 - 7A Type 0 - 10A Type 客户特性号: XXX-客户特殊要求 无-5A 7 - 7A 0 - 10A
3. Contact form: 1H-1Form A 触点形式: 1H-1组常开	

OUTLINE DIMENSIONS (UNIT:mm) 外形尺寸 (单位: mm)



Undimensioned tolerance: <1mm: ±0.2mm 1~5mm: ±0.3mm >5mm: ±0.4mm
未标注尺寸公差: <1mm: ±0.2mm 1~5mm: ±0.3mm >5mm: ±0.4mm

Note: 1. The size of the lead foot is pre welding dimension. 注: 1、引出脚尺寸为预焊前尺寸
2. installation hole size tolerance: + 0.1mm 2、安装孔尺寸公差: ±0.1mm

SAFETY STANDARD安规认证

AuthType Basic认证类别	TUV	UL
Authentication Load 认证负载	5A/7A/10A 250VAC	5A/7A/10A 250VAC

TYPICAL USE典型用途

- Communication ● Safety equipment, Smart home ● Office equipment, Etc..
- Household appliances, Such as air conditioners, Microwave ovens
- 通讯 ● 安全设备, 智能家居 ● 办公设备等 ● 家用电器, 如空调, 微波炉

PERFORMANCE CHART性能曲线图

