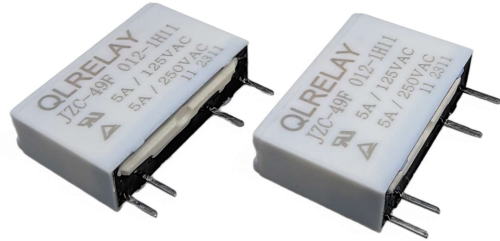


Power Relay Series 功率继电器系列 -- JZC-49F

FEATURES特点

- 7A contact switching capability
7A触点切换能力
- 3kV dielectric strength (between coil and contacts)
线圈与触点间介质耐压3kV
- UL insulation system: Class F
UL绝缘等级:F级
- Overall dimensions (20.0X5.0X12.5)mm
外形尺寸 (20.0X5.0X12.5) mm



CONTACT PARAMETERS触点参数

Contact Form触点形式	A-1组常开
Rating Load (Resistive) 额定负载 (阻性)	5A/7A 250VAC/30VDC
Max. Switching Current最大切换电流	5A/7A
Max.Switching Voltage最大切换电压	277VAC/30VDC
Max.Switching Power最大切换功率	1939VA/210W

CHARACTERISTICS性能参数

Contact Materials触点材料	Ag Alloy银合金	
Contact Resistance接触电阻	100mΩ Max	
Operate Time吸合时间	10ms.Max	
Release Time释放时间	5ms.Max	
Insulation Resistance绝缘电阻	1000MΩ Min.(DC500V)	
Initial Dielectric Strength介质耐压	between open contacts: 触点与触点间:	AC1,000V,50/60Hz 1Min
	between contacts and coil: 触点与线圈间:	AC3,000V,50/60Hz 1Min
Vibration Resistance抗振动	Damage limits: 耐久:	10~55Hz Double Amplitude双振幅1.5mm
	Malfunction: 误动作:	10~55Hz Double Amplitude双振幅1.5mm
Shock Resistance抗冲击	Damage limits: 耐久:	100G Min
	Malfunction: 误动作:	10G Min
Life寿命	Mechanical Life (10800 per hour) 机械寿命 (每小时10800次)	1×10 ⁷
	Electrical Life (1800 per hour) 电气寿命 (每小时1800次)	1×10 ⁵
Ambient Temperature环境温度	-40℃ ~ +85℃ (No condensation) (不冷凝)	
Unit Weight单位重量	约Approx.3.0g	

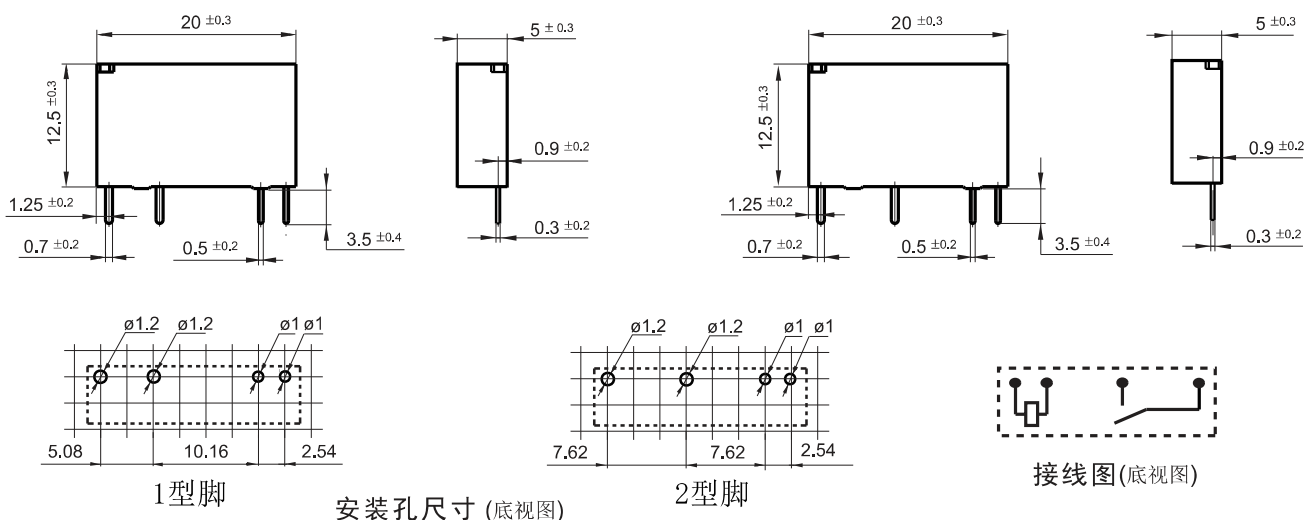
COIL RATINGS (at23°C) 线圈参数 (在23°C)

Coil Nominal Voltage 额定电压 (VDC)	Nominal Current 额定电流 ±10%(mA)	Coil Resistance 线圈电阻 ±10% (Ω)	Max. Continuous Voltage 最大连续外加电压	Pick-Up Voltage 吸合电压 (Max)	Drop-Out Voltage 释放电压 (Min)	Rated power 额定功率
5	24.00	208	Coil Nominal Voltage 130% 额定电压的 130%	Coil Nominal Voltage 75% 额定电压的 75%	Coil Nominal Voltage 10% 额定电压的 10%	0.12W
6	20.00	300				
9	13.33	675				
12	10.00	1200				
18	6.67	2700				
24	5.00	4800				0.18W
24	7.50	3200				

ORDERING INFORMATION 订货标记

JZC-49F 012 - 1H 1 L 1 - (XXX)						
1	2	3	4	5	6	7
1. Model Number 基本型号 JZC-49F	5. Coil Power: No - 0.12W, L - 0.18W 线圈功率: 无 - 0.12W, L - 0.18W		6. Induces foot position: 1 - 1 foot position 2 - 2 foot position 引出脚脚位: 1 - 1型脚 2 - 2型脚			
2. Coil Voltage 线圈规格 (VDC): DC3V, DC5V, DC6V, DC9V, DC12V, DC18V, DC24V	3. Contact form: 1H-1Form A 触点形式: 1H-1组常开		7. Customer Special Code: XXX - Customer Special Requirements No - Standard Type 7 - 7A Type 客户特性号: XXX - 客户特殊要求, 无 - 标准型 7A - 7A 规格			
4. Encapsulation form: 1 - Plastic Sealed 2: Fluk proofed 封装形式: 1 - 塑封型 2 - 防焊剂型						

OUTLINE DIMENSIONS (UNIT:mm) 外形尺寸 (单位: mm)



备注: (1) 产品部分外形尺寸未注尺寸公差, 当外形尺寸 ≤ 1mm, 公差为 ± 0.2mm; 当外形尺寸在 (1 ~ 5)mm 之间时, 公差为 ± 0.3mm; 当外形尺寸 > 5mm, 公差为 ± 0.4mm;

(2) 安装孔尺寸中未注尺寸公差为 ± 0.1mm;

(3) 网格宽度为 2.54mm。

SAFETY STANDARD安规认证

AuthType Basic认证类别	TUV	UL/C__UL
Authentication Load 认证负载	5A/7A 250VAC	5A/7A 250VAC

TYPICAL USE典型用途

- Communication ● Safety equipment, Smart home ● PCB Control Board
- Household appliances, Such as air conditioners, Microwave ovens
- 通讯 ● 安全设备, 智能家居 ● PCB控制板 ● 家用电器, 如空调, 微波炉

PERFORMANCE CHART性能曲线图

