



AMP

TE Internal #: 926980-1

Automotive Terminals, Pin, Pin Diameter 1.6 mm [.062 in], 20 – 17

AWG Wire Size, .5 – 1 mm² Wire Size, Tin (Sn) Interface Plating

[View on TE.com >](#)

Terminals & Splices > Automotive Terminals



Terminal Type: Pin

Mating Pin Diameter: 1.6 mm [.062 in]

Wire Size: .5 – 1 mm²

Sealable: No

Features

Product Type Features

Sealable	No
----------	----

Contact Features

Contact Size	1.6mm
Contact Fabrication	Stamped & Formed
Typical Current Rating	22 A
Crimp Type	F-Crimp
Terminal Type	Pin
Mating Pin Diameter	1.6 mm[.062 in]
Interface Plating	Tin (Sn)

Termination Features

Termination Method to Wire & Cable	Crimp
Product Terminates To	Wire & Cable

Dimensions

Compatible Insulation Diameter Range	2 – 2.7 mm
Wire Size	.5 – 1 mm ²
Tab Length	29 mm[1.141 in]

Usage Conditions

Insulation Option	Uninsulated
Operating Temperature (Max)	130 °C[266 °F]



Operating Temperature Range	-40 – 130 °C[-40 – 266 °F]
-----------------------------	----------------------------

Packaging Features

Packaging Quantity	5000
Packaging Method	Reel

Product Compliance

[For compliance documentation, visit the product page on TE.com>](#)

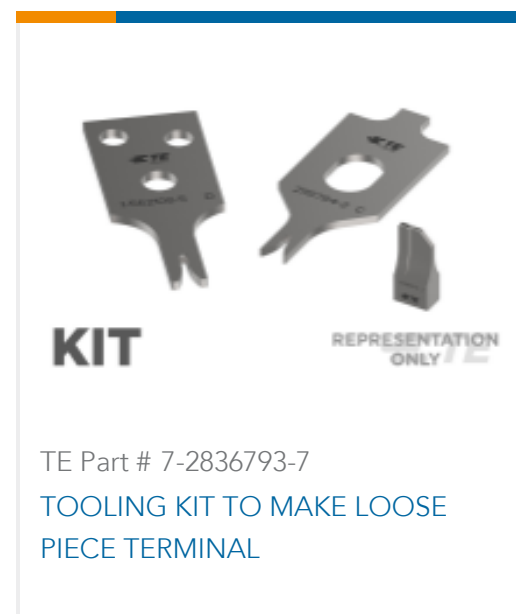
EU RoHS Directive 2011/65/EU	Compliant
EU ELV Directive 2000/53/EC	Compliant
China RoHS 2 Directive MIIT Order No 32, 2016	No Restricted Materials Above Threshold
EU REACH Regulation (EC) No. 1907/2006	Current ECHA Candidate List: JUNE 2023 (235) Candidate List Declared Against: JUNE 2023 (235) Does not contain REACH SVHC
Halogen Content	Low Halogen - Br, Cl, F, I < 900 ppm per homogenous material. Also BFR/CFR/PVC Free
Solder Process Capability	Not applicable for solder process capability

Product Compliance Disclaimer

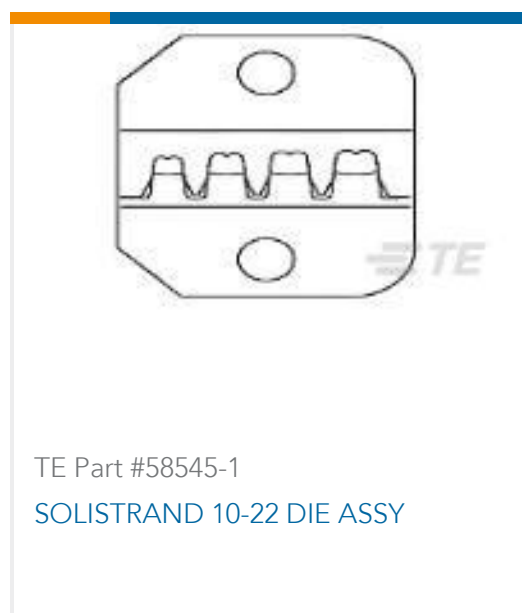
This information is provided based on reasonable inquiry of our suppliers and represents our current actual knowledge based on the information they provided. This information is subject to change. The part numbers that TE has identified as EU RoHS compliant have a maximum concentration of 0.1% by weight in homogenous materials for lead, hexavalent chromium, mercury, PBB, PBDE, DBP, BBP, DEHP, DIBP, and 0.01% for cadmium, or qualify for an exemption to these limits as defined in the Annexes of Directive 2011/65/EU (RoHS2). Finished electrical and electronic equipment products will be CE marked as required by Directive 2011/65/EU. Components may not be CE marked. Additionally, the part numbers that TE has identified as EU ELV compliant have a maximum concentration of 0.1% by weight in homogenous materials for lead, hexavalent chromium, and mercury, and 0.01% for cadmium, or qualify for an exemption to these limits as defined in the Annexes of Directive 2000/53/EC (ELV). Regarding the REACH Regulation, the information TE provides on SVHC in articles for this part number is based on the latest European Chemicals Agency (ECHA) 'Guidance on requirements for substances in articles' posted at this URL: <https://echa.europa.eu/guidance-documents/guidance-on-reach>

Compatible Parts

 <p>TE Part # 2266006-1 OCEAN-2.0-APPLICATOR-S-080F1200</p>	 <p>TE Part # 2266006-2 OCEAN-2.0-APPLICATOR-S-080F1200A</p>	 <p>TE Part # 2836793-1 APPLICATOR TO MAKE LOOSE PIECE TERMINALS</p>	 <p>TE Part # 7-2266006-1 OCEAN-2.0-APPLICATOR-S-080F1200</p>
--	---	---	--



Customers Also Bought



Documents

Product Drawings

CI 2 STIFT

English

CAD Files

3D PDF

English

Customer View Model

[ENG_CVM_926980-1_D2.3d_igs.zip](#)

English

Customer View Model

[ENG_CVM_926980-1_D2.3d_stp.zip](#)

English

Customer View Model

[ENG_CVM_926980-1_D2.2d_dxf.zip](#)

English

By downloading the CAD file I accept and agree to the [Terms and Conditions](#) of use.

926980-1

Automotive Terminals, Pin, Pin Diameter 1.6 mm [.062 in], 20 – 17 AWG Wire Size, .5 – 1 mm² Wire Size, Tin (Sn) Interface Plating



[Product Specifications](#)

[Application Specification](#)

English