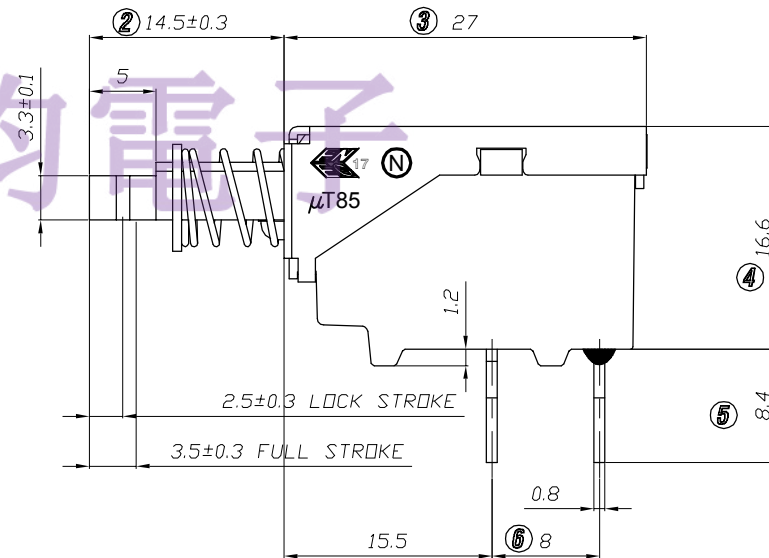
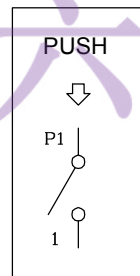
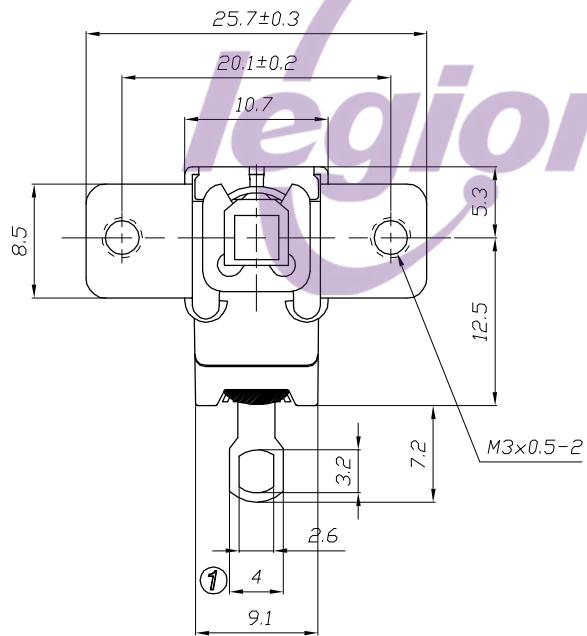
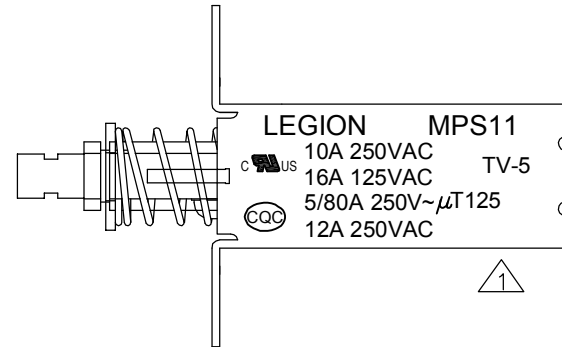


1.PUSH BUTTON SWITCH MODEL NO. MPS11-ML150-R  
 2.SOLDERING TYPE, LONG TERMINAL  
 3.RATING:16A 125VAC/10A 250VAC(C-UL)  
 TV-5(C-UL)  
 5A/80A 250V~ μT85(ENEC17;NEMKO;CB)  
 12A 250VAC 5/80A 250V~ μT125(CQC)  
 4.ALL MATERIALS USE IN CONFORMIY WITH THE RoHS DIRECTIVE  
 TEL: 0769-82310511-867



⑤	→	⑩	→	DIMENSIONAL TOLERANCES		APPROVED	CHECKED	DESIGN	DRAWN	ALL SIZE ARE IN	MM		
④	→	⑨	→	RANGE	TOLERANCE					SCALE	NO		
③	→	⑧	→	X	±0.3					MAT'L	***		
②	→	⑦	→	X.X	±0.2					MATERIAL NO.		DRAWING NO.	REV.
①	T85 → T125	⑥	→	X.XX	±0.1	LEGION ELECTRONIC & HARDWARE CO., LTD.				MPS11-ML150-R	WIF119133	A1	
NO	DESCRIPTION	NO	DESCRIPTION	ANGLES	±1'								