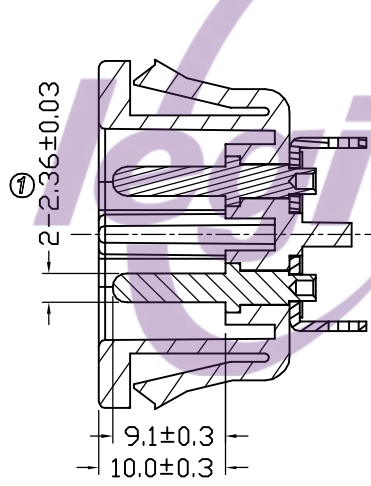
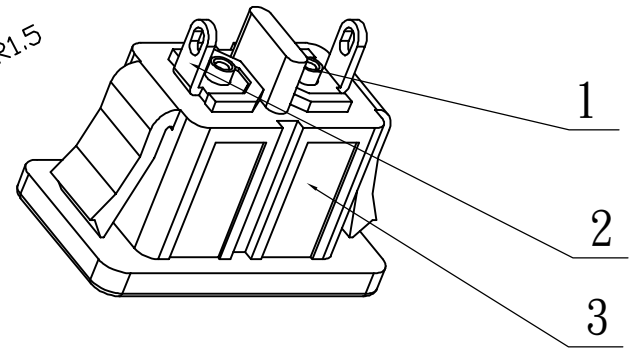
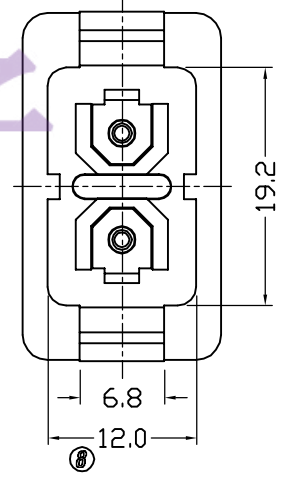
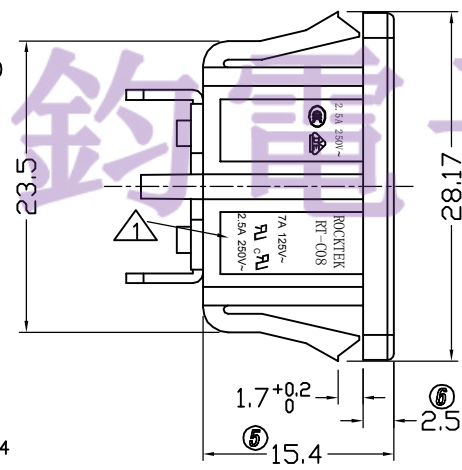
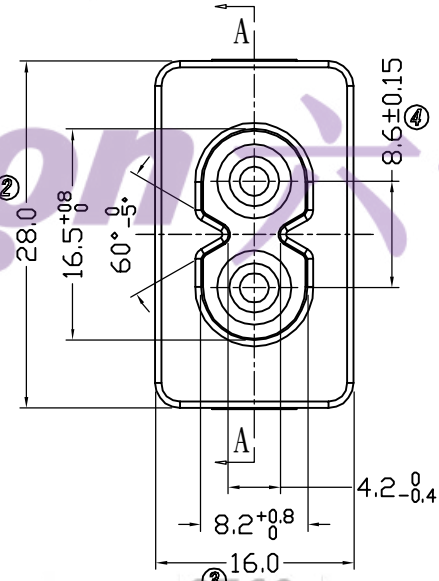


PCB. LAYOUT



SECTION A-A



- NOTES:
- Rating : 2.5A 250VAC (CCC VDE)  
2.5A 250VAC 7A 125VAC (UL CUL)
  - Contact resistance : 50mΩ Max
  - Insulation resistance : >100MΩ (Min) 500VDC
  - Dielectric strength : >2000VAC 0.5mA 1 minutes

TEL: 0769-82310511-867

3	BODY	PA66 94-V0 Black	1
2	1# terminal	C2680 1/2H Tin-plating 3~5um	2
1	1# PIN	C3602 Ni-plating 3~5um	2
NO.	PART NAME	MATERIAL	Q'TY

A	5	→	10	→	DIMENSIONAL TOLERANCES		APPROVED	CHECKED	DESIGN	DRAWN	ALL SIZE ARE IN	MM		DRAWING NO.	REV.
	4	→	9	→	RANGE	TOLERANCE					SCALE	FIT			
	3	→	8	→	X	±0.3					MAT'L	***			
	2	→	7	→	X.X	±0.2					MATERIAL NO.				
	1	→	6	→	X.XX	±0.1									
	NO	DESCRIPTION	NO	DESCRIPTION	ANGLES	±1'	ROCK TEK ELECTRONIC(SHENZHEN) CO.,LTD.				RT-C08-I0-BJ	WIF118007	A1		

4

3

2

1