

# OWR-0860T-16

## In-ear driver, full range

Available in a range of variants subjects to customers audio preference.

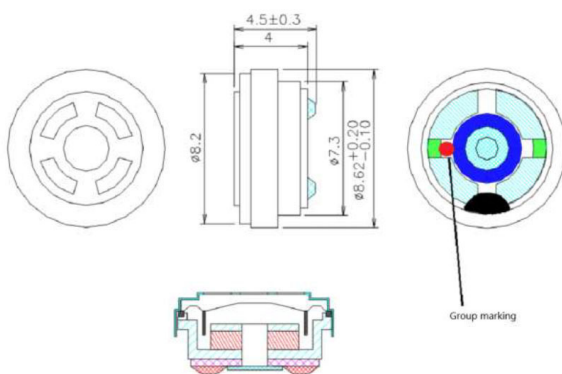


## Characteristics

Size (ØxH) [mm]	9.0x4.5	
Sensitivity [dBSPL]	99.7±3dB	[dBSPL @1kHz, 1mW, 2cc]
Impedance [Ω]	16	
Power [W]	5.0 / 10.0	Free field
F0 [Hz]	3100	Free field
Termination	Terminals	

Specifications are subject to change without prior notice. Upon request Ole Wolff can supply further specifications, simulation parameters etc.

## Mechanical drawing



Dimension are in mm, tolerance: ±0.3mm.

