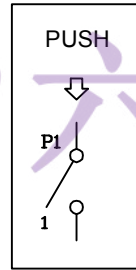
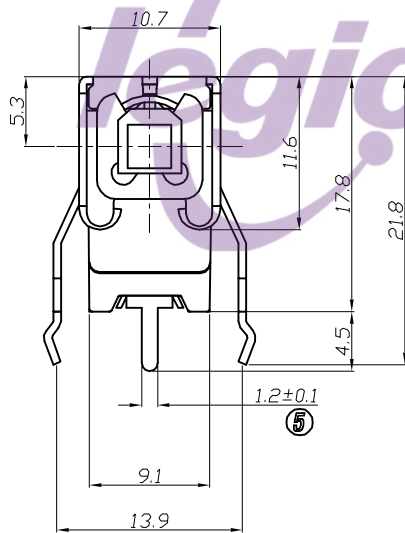
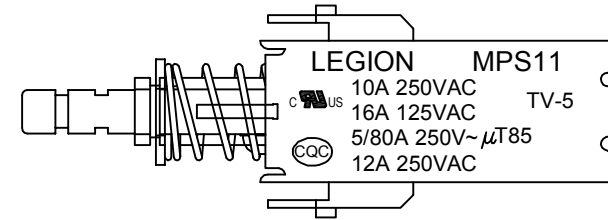
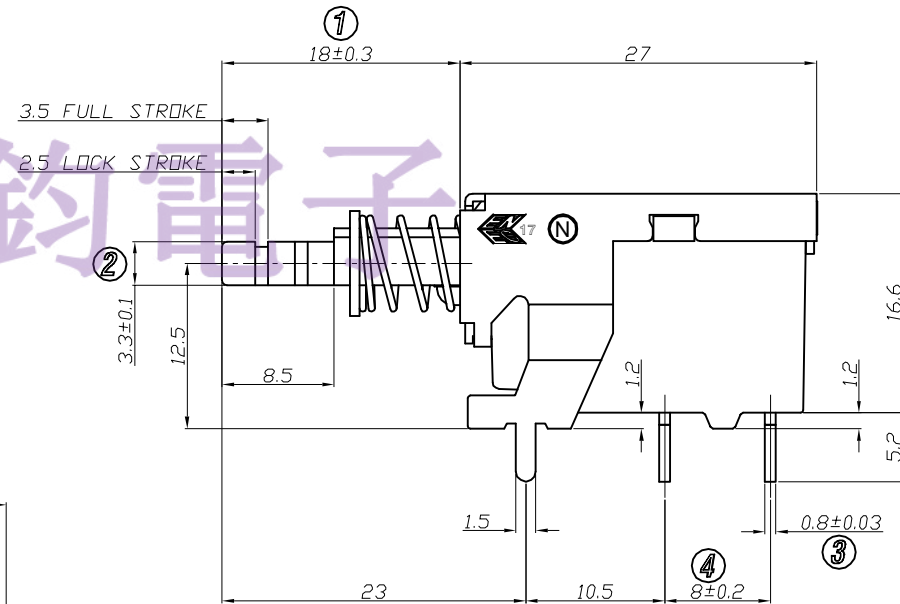
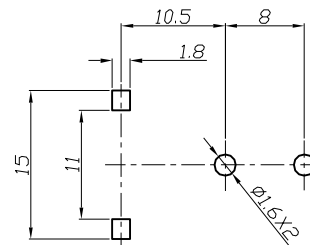


1. 电路 CIRCUIT: ON/OFF
2. 额定值 RATING: 16A 125VAC/10A 250VAC(UL;C-UL)
TV-5(UL;C-UL)
5A/80A 250V~ μ T125(ENEC17;NEMKO;CB)
12A 250VAC 5/80A 250V~ μ T85(CQC)
3. 接触电阻 CONTACT RESISTANCE: <50m Ω
4. 绝缘阻抗 INSULATION RESISTANCE: >100M Ω
(500VDC BETWEEN OPEN CONTACTS)
5. 耐电压 DIELECTRIC STRENGTH: >1500VAC 0.5MA 1 MINTUTE
6. 所有部件均使用环保材料
ALL MATERIALS USING MEET THE RoHS DIRECTIVE

TEL: 0769-82310511-867



P.C.B. MOUNTING HOLE



5	→	10	→	DIMENSIONAL TOLERANCES		APPROVED	CHECKED	DESIGN	DRAWN	ALL SIZE ARE IN	MM		
4	→	9	→	RANGE	TOLERANCE				LMC	SCALE	NO		
3	→	8	→	X	±0.30				2015.11.14	MAT'L	***		
2	→	7	→	X.X	±0.20					MATERIAL NO.		DRAWING NO.	REV.
1	→	6	→	X.XX	±0.10							WIF121057	A0
NO	DESCRIPTION	NO	DESCRIPTION	ANGLES	±1'	LEGION ELECTRONIC & HARDWARE CO., LTD.				MPS11-BC180-R			