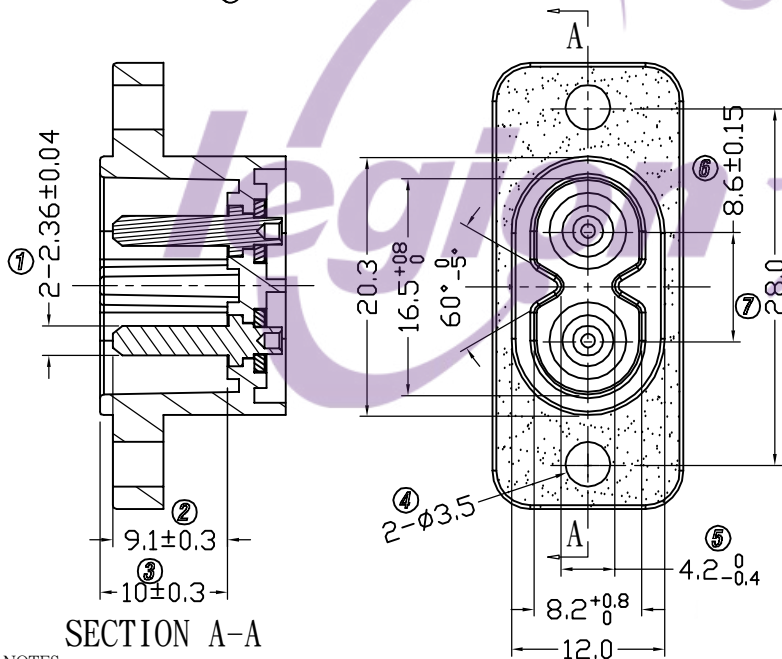
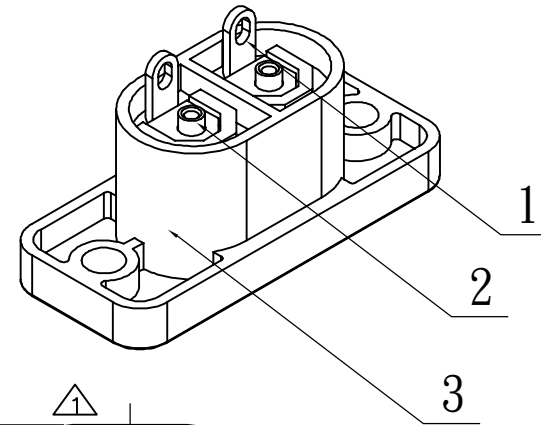
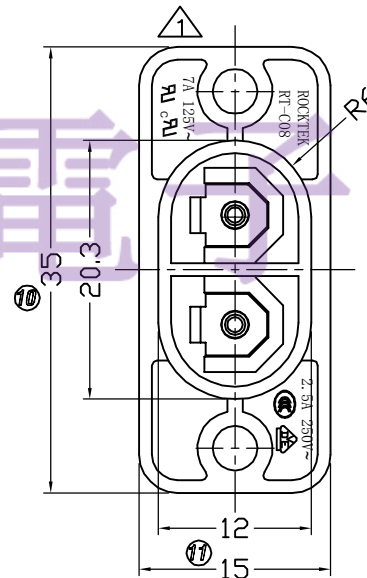
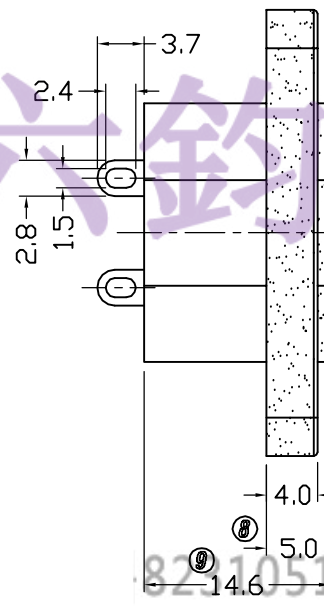


PCB. LAYOUT



SECTION A-A



- NOTES:
- Rating : 2.5A 250VAC CCC VDE
2.5A 250VAC 7A 125VAC UL CUL
 - Contact resistance : 50mΩ Max
 - Insulation resistance : >100MΩ (Min) 500VDC
 - Dielectric strength : >2000VAC 0.5mA 1 minute

TEL: 0769-82310511-867

品名	颜色
RT-C08-H0-BJ	Black
RT-C08-H0-WJ	White

3	BODY	PA66 94-V0 Black	1
2	1# terminal	C2680 1/2H Tin-plating 3~5um	2
1	1# PIN	C3602 Ni-plating 3~5um	2
NO.	PART NAME	MATERIAL	Q'TY

NO	DESCRIPTION	NO	DESCRIPTION	ANGLES	TOLERANCES	APPROVED	CHECKED	DESIGN	DRAWN	ALL SIZE ARE IN	MM	DRAWING NO.	REV.
5	→	10	→		DIMENSIONAL TOLERANCES					SCALE	FIT		
4	→	9	→		RANGE TOLERANCE					MAT'L	***		
3	→	8	→	X	±0.3					MATERIAL NO.			
2	→	7	→	X.X	±0.2								
1	→	6	→	X.XX	±0.1								
1	修改UL安规刻字 21.01.30	6	→		±1'								
										ROCK TEK ELECTRONIC(SHENZHEN) CO.,LTD.		RT-C08-H0-*J	

LMC
2018.01.09

