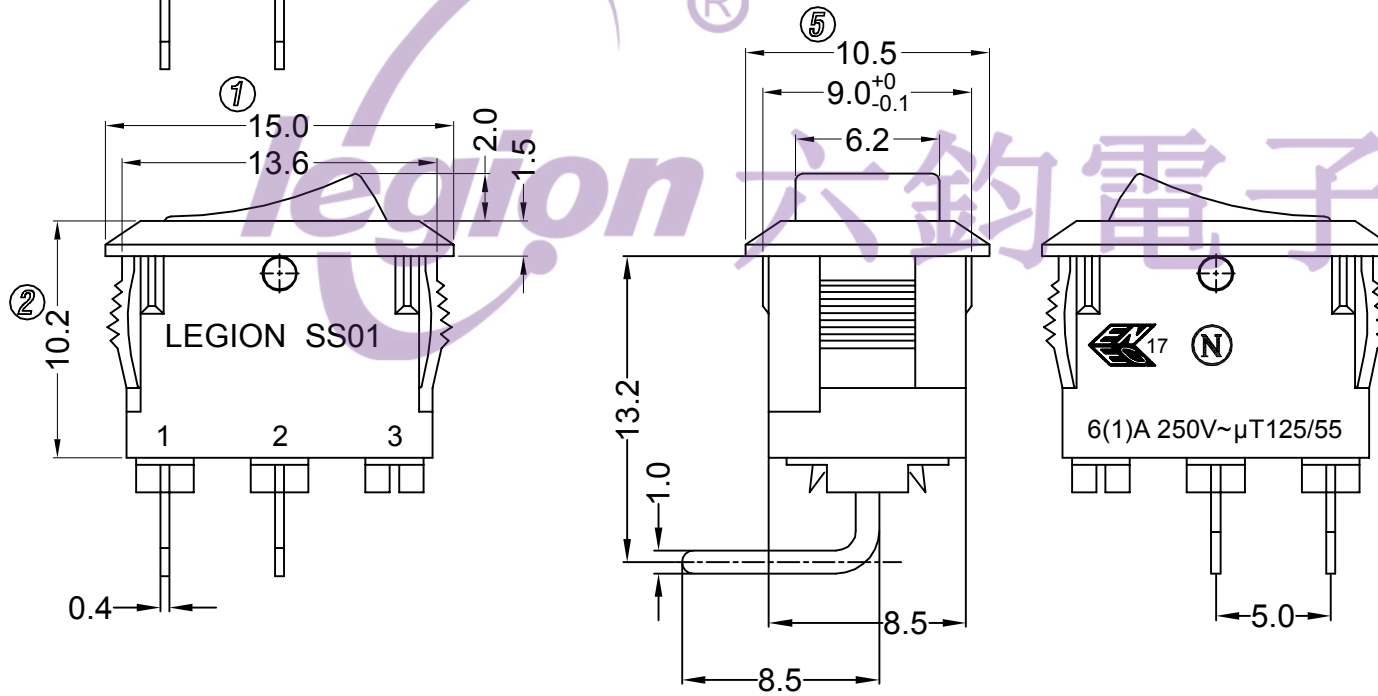
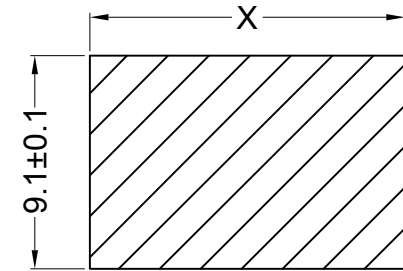


1. CIRCUIT: ON/OFF
2. RATING: 3A 125/250VAC
6(1)A 250V~ T125/55(ENEC17;NEMKO)
3. CONTACT RESISTANT: <math>< 50\text{m}\Omega</math> (INITIAL)
4. INSULATION RESISTANCE: >100M Ω
(500VDC BETWEEN OPEN CONTACTS)
5. DIELECTRIC STRENGTH: 1500V 1MIN
6. ACTUATOR & HOUSING COLOR: BLACK
7. ACTUATOR PRINTING COLOR: WHITE

TEL: 0769-82310511-867



	X Cutout Dimension	Panel Thickness
A	13.5 - 13.6	0.75~1.25
B	13.6 - 13.7	1.25~2.00



MOUNTING HOLE

NO	DESCRIPTION	NO	DESCRIPTION	DIMENSIONAL TOLERANCES	APPROVED	CHECKED	DESIGN	DRAWN	ALL SIZE ARE IN	MM		
5		10		RANGE				LMC	SCALE	NO		
4		9		X				2019.05.20	MAT'L	***		
3		8		X.X					MATERIAL NO.		DRAWING NO.	REV.
2		7		X.XX					SS01-BBIWC-RA20-R	*****		AO
1		6		ANGLES	LEGION ELECTRONIC & HARDWARE CO., LTD.							