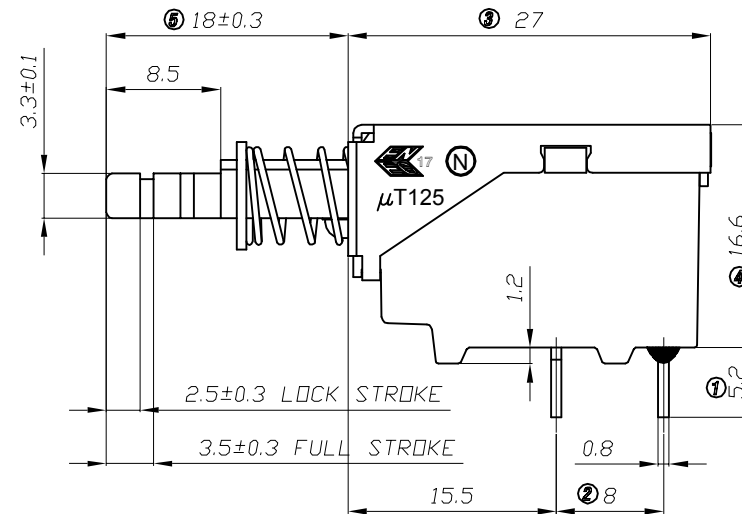
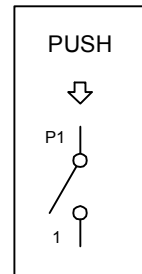
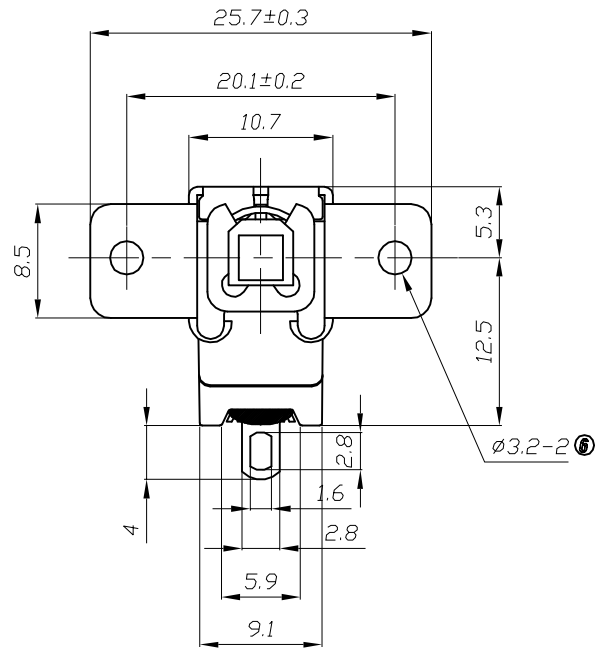
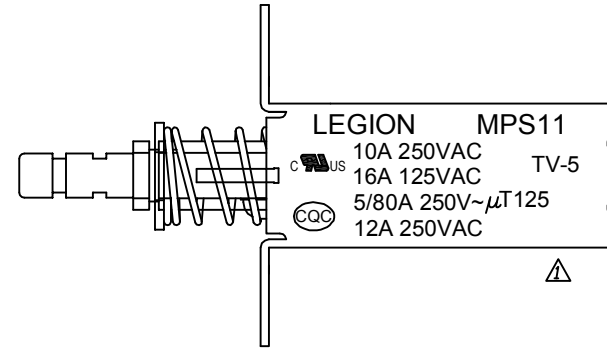


1. PUSH BUTTON SWITCH MODEL NO. MPS11-HS180-R
2. SOLDERING TYPE, SHORT TERMINAL
3. RATING: 16A 125VAC/10A 250VAC(C-UL)
TV-5(C-UL)
5A/80A 250V~ μ T125(ENEC17;NEMKO)
12A 250VAC 5/80A 250V~ μ T125(CQC)
4. ALL MATERIALS USE IN CONFORMITY WITH THE RoHS DIRECTIVE



5	→	10	→	DIMENSIONAL TOLERANCES		APPROVED	CHECKED	DESIGN	DRAWN	ALL SIZE ARE IN	MM		
4	→	9	→	RANGE	TOLERANCE				LMC	SCALE	NO		
3	→	8	→	X	±0.30				2019.05.20	MAT'L	***		
2	→	7	→	X.X	±0.20					MATERIAL NO.		DRAWING NO.	REV.
1	T85 → T125	6	→	X.XX	±0.10					MPS11-HS180-R		WIF119122	A1
NO	DESCRIPTION	NO	DESCRIPTION	ANGLES	±1'	LEGION ELECTRONIC & HARDWARE CO., LTD.							