



MEAS | MEAS MS5805

TE Internal #: MS580502BA01-50

Digital Pressure and Altimeter Sensor Modules, Absolute, Output

/Span 24 bit ADC, ±4mbar, Supply Voltage 1.8 – 3.6 V, MEAS

MS5805

[View on TE.com >](#)

Sensors > Pressure Sensors > Board Mount Pressure Sensors > MINIATURE DIGITAL PRESSURE SENSOR



Board Level Pressure Sensor Type: **Digital Pressure and Altimeter Sensor Modules**

Board Level Pressure Sensor Style: **Absolute**

Output/Span: **24 bit ADC**

Board Level Pressure Sensor Accuracy: **±4mbar**

Board Level Pressure Sensor Supply Voltage: **1.8 – 3.6 V**

[All MINIATURE DIGITAL PRESSURE SENSOR \(1\)](#)

Features

Product Type Features

Board Level Pressure Sensor Type	Digital Pressure and Altimeter Sensor Modules
Board Level Pressure Sensor Style	Absolute

Electrical Characteristics

Board Level Pressure Sensor Supply Voltage	1.8 – 3.6 V
--	-------------

Dimensions

Dimensions	4.5 x 4.5 mm [.17 x .17 in]
------------	-----------------------------

Usage Conditions

Operating Temperature Range	-40 – 85 °C [-4 – 185 °F]
-----------------------------	---------------------------

Operation/Application

Resolution	.02
Output/Span	24 bit ADC
Board Level Pressure Sensor Accuracy	±4mbar

Packaging Features

Board Level Pressure Sensor Package	Surface Mountable
-------------------------------------	-------------------

Other

Sensor Options

No Option

Product Compliance

[For compliance documentation, visit the product page on TE.com>](#)

EU RoHS Directive 2011/65/EU

Compliant

EU ELV Directive 2000/53/EC

Compliant

China RoHS 2 Directive MIIT Order No 32, 2016

No Restricted Materials Above Threshold

EU REACH Regulation (EC) No. 1907/2006

Current ECHA Candidate List: JUNE 2023 (235)
 Candidate List Declared Against: JUNE 2023 (235)
 Does not contain REACH SVHC

Halogen Content

Not Yet Reviewed for halogen content

Solder Process Capability

Not reviewed for solder process capability

Product Compliance Disclaimer

This information is provided based on reasonable inquiry of our suppliers and represents our current actual knowledge based on the information they provided. This information is subject to change. The part numbers that TE has identified as EU RoHS compliant have a maximum concentration of 0.1% by weight in homogenous materials for lead, hexavalent chromium, mercury, PBB, PBDE, DBP, BBP, DEHP, DIBP, and 0.01% for cadmium, or qualify for an exemption to these limits as defined in the Annexes of Directive 2011/65/EU (RoHS2). Finished electrical and electronic equipment products will be CE marked as required by Directive 2011/65/EU. Components may not be CE marked. Additionally, the part numbers that TE has identified as EU ELV compliant have a maximum concentration of 0.1% by weight in homogenous materials for lead, hexavalent chromium, and mercury, and 0.01% for cadmium, or qualify for an exemption to these limits as defined in the Annexes of Directive 2000/53/EC (ELV). Regarding the REACH Regulation, the information TE provides on SVHC in articles for this part number is based on the latest European Chemicals Agency (ECHA) 'Guidance on requirements for substances in articles' posted at this URL: <https://echa.europa.eu/guidance-documents/guidance-on-reach>

Compatible Parts



Also in the Series | [MEAS MS5805](#)



Board Mount Pressure Sensors(1)

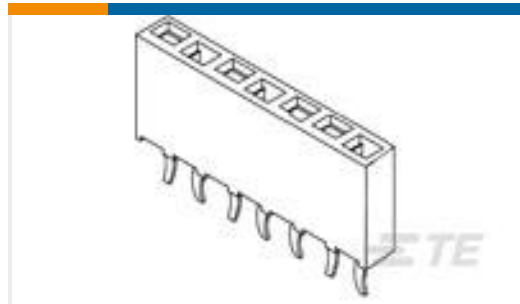


Sensor Development Boards and Evaluation Kits(1)

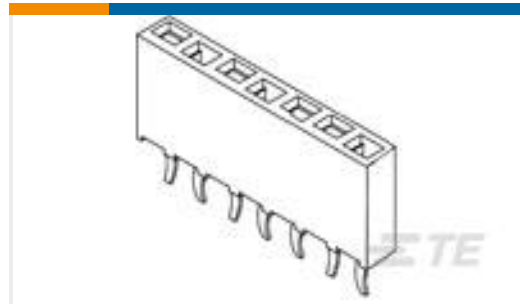
Customers Also Bought



TE Part #5-1879233-6
SMW5 20R 5%



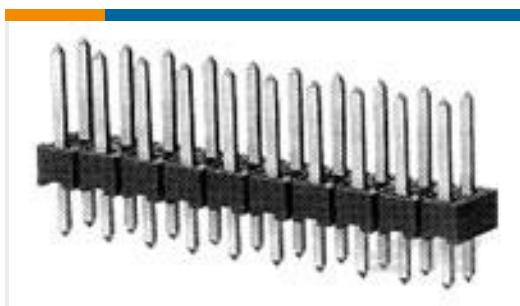
TE Part #2-215297-0
20P HV100 REC CON. TE, 7.0MM



TE Part #215297-6
6P HV100 REC CON. TE, 7.0MM



TE Part #1625854-2
0805 PROBE PAD



TE Part #5-826658-0
50P AMPMODU II PIN HDR.



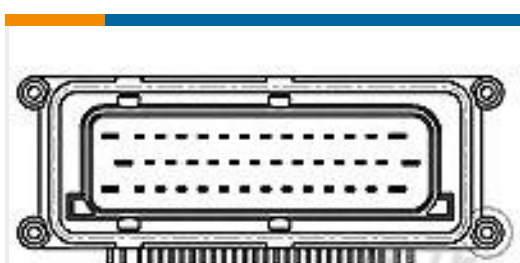
TE Part #1676358-2
RN 0805 4K42 0.1% 10PPM 1KRL



TE Part #5-2176380-7
RQ 0805 4K42 0.1% 10PPM 5K RL



TE Part #CV3305-000
RW-175-3/8-X-STK



TE Part #1-963221-1
29P TAB HEADER 3MM



TE Part #CONREVSMA002
RP-SMA RA Jack 50 Ohm PCB
Through Hole

Documents

CAD Files

[3D PDF](#)

[3D](#)

Customer View Model

[ENG_CVM_CVM_MS580502BA01-50_1.2d_dxf.zip](#)

English

Customer View Model

[ENG_CVM_CVM_MS580502BA01-50_1.3d_igs.zip](#)



English

Customer View Model

[ENG_CVM_CVM_MS580502BA01-50_1.3d_stp.zip](#)

English

By downloading the CAD file I accept and agree to the [Terms and Conditions](#) of use.

Datasheets & Catalog Pages

[Data sheet](#)

English