




www.te.com

## OC24005


2400-2500 MHz, 5 dBi,  
Vertical Polarized Omnidirectional  
Made in China **YYWWD**

Parameter	Performance
Model Number	OC24005-FNM
Frequency	2400-2500MHz
Gain	5dBi
Polarization	Linear, Vertical
VSWR	1.7:1
E-Plane 3dB Beamwidth	30°
H-Plane 3dB Beamwidth	Omnidirectional
RF Connector	Type N, Male, Fixed, Tri-Metal
Power	50W
Weight	0.14kg
Radome	Polycarbonate, UV, White
Operational Temperature	-30°C to +70°C
Storage Temperature	-40°C to +85°C
Mounting	Connector Fixed or Mast Mount Kit, Upright and Inverted Orientation

MAST SHOWN FOR REFERENCE ONLY

REV	DESCRIPTION	DATE	DWN	APVD
AC	UPDATE DIMENSION TOLERATE	8/8/2023	IZZ	WTN
AB	UPDATE TE TEMPLATE	8/3/2023	IZZ	WTN
AA	FORMAL RELEASE	3/14/2011	S.J	S.J

DIMENSIONS: mm	TOLERANCES UNLESS OTHERWISE SPECIFIED:
	0 PLC ±-
	1 PLC ±-
	2 PLC ±-
	3 PLC ±-
	4 PLC ±-
ANGLES ±°	
SURFACE TEXTURE	

DWN	10/25/10	MATERIAL	NA	HEAT TREAT	NA
CHK	S. JOHNSON		-		-
APVD	3/16/11	 TE Connectivity			
NAME	K. SEARL				
	B. THATCHER	OC24005-FNM			
SCALE	1:2	SIZE	A3	DRAWING NO	OC24005-FNMMD
		SHEET	1 OF 2	REV	AC

**OC24005-FNM**

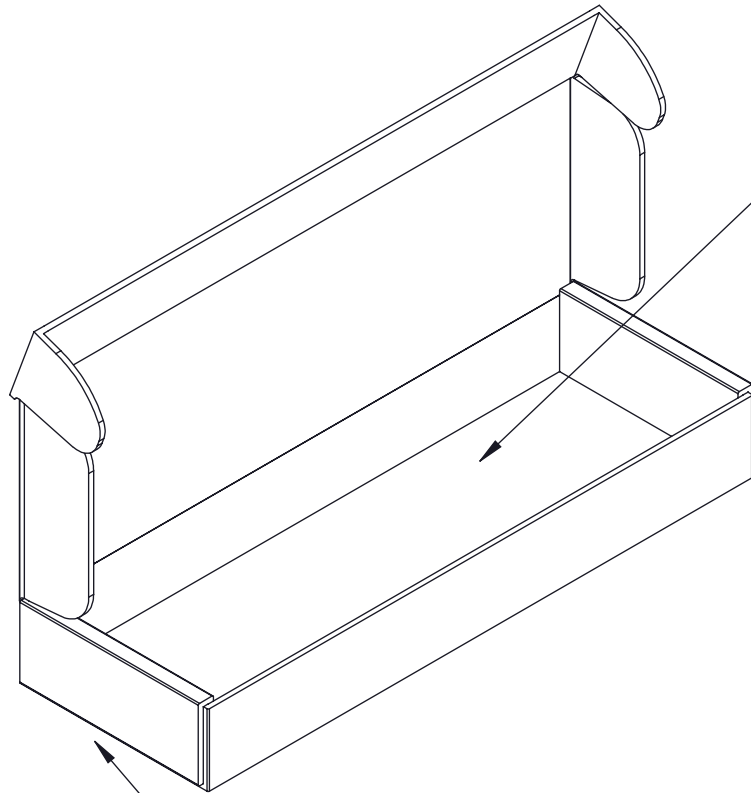


2400-2500 MHz, 5 dBi  
Vertical Polarized Omnidirectional  
Lot#: #####  
QTY: 1 COO: CN

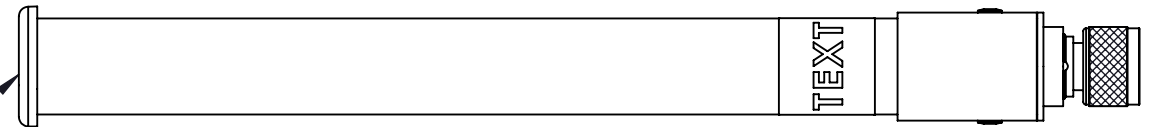
Laird TE	USA: +1 (800) 522-6752
	UK: +44 (0) 800-267666
UK CA	China: +86 (0) 400-620-6015
	https://www.TE.com



UNIT CARTON BOX



RoHS RECYCLING LABELS:  
PRINT OR STAMP USING BLACK INDELIBLE INK  
ON BOTTOM OF CARTON



OC24005-FNM ANTENNA

HARDWARE KIT

- 1x-CLAMP WORM GEAR
- 1x-BRACKET

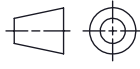



MANUAL

INSTALLATION  
MANUAL

WARNING  
SAFETY  
MANUAL



DIMENSIONS: mm	TOLERANCES UNLESS OTHERWISE SPECIFIED:
	0 PLC ±
	1 PLC ±
	2 PLC ±
	3 PLC ±
	4 PLC ±
ANGLES ±°	
SURFACE TEXTURE	

DWN	10/25/10	MATERIAL	NA	HEAT TREAT	NA
CHK	S. JOHNSON		-		-
APVD	K. SEARL	<b>TE</b> TE Connectivity			
NAME	B. THATCHER				
		OC24005-FNM			
SCALE	1:1	SIZE	A3	DRAWING NO	OC24005-FNMMD
		SHEET	2 OF 2	REV	AC